



# Refrigerator

## User manual

BRB2601\*/BRB2600\*

SESG, SEAG

Built-in Appliance

**SAMSUNG**



# Contents

---

<b>Safety information</b>	<b>3</b>
Important safety symbols and precautions:	5
Severe warning signs for transportation and site	6
Critical installation warnings	6
Installation cautions	10
Critical usage warnings	11
Usage cautions	16
Cleaning cautions	18
Critical disposal warnings	20
Additional tips for proper usage	21
Saving Energy Tips	22
This appliance is intended to be used in household and similar applications such as	23
Instructions about the WEEE	24
<b>Installation</b>	<b>25</b>
Refrigerator at a glance	25
Step-by-step installation	27
<b>Operations</b>	<b>39</b>
Feature panel	39
Samsung Smart Home (applicable models only)	44
Storage information	46
<b>Maintenance</b>	<b>48</b>
Handle and care	48
Cleaning	50
Replacement	50
<b>Troubleshooting</b>	<b>51</b>
General	51
Do you hear abnormal sounds from the refrigerator?	53
Samsung Smart Home (applicable models only)	55



## Safety information

---

- Before using your new Samsung Refrigerator, please read this manual thoroughly to ensure that you know how to operate the features and functions that your new appliance offers safely and efficiently.
- This appliance is not intended for use by persons (including children) with reduced physical, sensory, or mental capabilities, or those who lack experience and knowledge, unless they have been given supervision or instruction concerning the use of the appliance by a person responsible for their safety.
- This appliance can be used by children aged from 8 years and above and persons with reduced physical, sensory or mental capabilities or lack of experience and knowledge if they have been given supervision or instruction concerning use of the appliance in a safe way and understand the hazards involved.  
Children shall not play with the appliance. Cleaning and user maintenance shall not be made by children without supervision.
- Warnings and Important Safety Instructions in this manual do not cover all possible conditions and situations that may occur.  
It is your responsibility to use common sense, caution, and care when installing, maintaining, and operating your appliance.

## Safety information

---

- Because these following operating instructions cover various models, the characteristics of your refrigerator may differ slightly from those described in this manual and not all warning signs may be applicable. If you have any questions or concerns, contact your nearest service center or find help and information online at [www.samsung.com](http://www.samsung.com).
- In order to avoid the creation of a flammable gas-air mixture if a leak in the refrigerating circuit occurs, the size of the room in which the appliance may be sited depends on the amount of refrigerant used.
- Never start up an appliance showing any signs of damage. If in doubt, consult your dealer. The room must be 1 m<sup>3</sup> in size for every 8 g of R-600a refrigerant inside the appliance. The amount of refrigerant in your particular appliance is shown on the identification plate inside the appliance.
- Refrigerant squirting out of the pipes could ignite or cause an eye injury. When refrigerant leaks from the pipe, avoid any naked flames and move anything flammable away from the product and ventilate the room immediately.
  - Failing to do so may result in fire or explosion.
- It is hazardous for anyone other than an Authorized Service Person to service this appliance.
- Do not store explosive substances such as aerosol cans with a flammable propellant in this appliance.



Warning; Risk of fire / flammable materials

---

## Important safety symbols and precautions:

---

Please follow all safety instructions in this manual. This manual uses the following safety symbols.

### **WARNING**

Hazards or unsafe practices that may result in **severe personal injury, property damage, and/or death.**

### **CAUTION**

Hazards or unsafe practices that may result in **severe personal injury and/or property damage.**

### **NOTE**

Useful information that helps users understand or benefit from the refrigerator.

These warning signs are here to prevent injury to you and others.

Please follow them carefully.

After reading this section, keep it in a safe place for future reference.

# Safety information

---

## Severe warning signs for transportation and site

---

### **WARNING**

- When transporting and installing the appliance, care should be taken to ensure that no parts of the refrigerating circuit are damaged.
  - Refrigerant leaking from the pipe work could ignite or cause an eye injury. If a leak is detected, avoid any naked flames or potential sources of ignition and air the room in which the appliance is standing for several minutes.
  - This appliance contains a small amount of isobutane refrigerant (R-600a), a natural gas with high environmental compatibility that is, however, also combustible. When transporting and installing the appliance, care should be taken to ensure that no parts of the refrigerating circuit are damaged.

## Critical installation warnings

---

### **WARNING**

- Do not install the refrigerator in a damp location or place where it may come in contact with water.
  - Deteriorated insulation on electrical parts may cause an electric shock or fire.
- Do not place this refrigerator in direct sunlight or expose it to the heat from stoves, room heaters, or other appliances.

- Do not plug several appliances into the same multiple power strip. The refrigerator should always be plugged into its own individual electrical outlet which has a voltage rating that matches the voltage listed on the refrigerator's rating plate.
  - This provides the best performance and also prevents overloading of house wiring circuits, which could cause a fire hazard from overheated wires.
- If the wall socket is loose, do not insert the power plug.
  - There is a risk of electric shock or fire.
- Do not use a power cord that has cracks or abrasion damage along its length or at either end.
- Do not bend the power cord excessively or place heavy objects on it.
- Do not pull or excessively bend the power cord.
- Do not twist or tie the power cord.
- Do not hook the power cord over a metal object, place a heavy object on the power cord, insert the power cord between objects, or push the power cord into the space behind the appliance.
- When moving the refrigerator, be careful not to roll over or damage the power cord.
  - This may result in an electric shock or fire.
- Never unplug your refrigerator by pulling on the power cord. Always grip the plug firmly and pull straight out from the outlet.
  - Damage to the cord may cause a short-circuit, fire, and/or electric shock.
- Do not store explosive substances such as aerosol cans with a flammable propellant in this appliance.

## Safety information

---

- Do not install this appliance near a heater or inflammable material.
- Do not install this appliance in a location where gas may leak.
  - This may result in an electric shock or fire.
- This refrigerator must be properly located and installed in accordance with the instructions in this manual before you use it.
- Connect the power plug in the proper position with the cord hanging down.
  - If you connect the power plug upside down, the wire can get cut off and cause a fire or electric shock.
- Make sure that the power plug is not crushed or damaged by the back of the refrigerator.
- Keep the packing materials out of reach of children.
  - There is a risk of death from suffocation if a child puts the packing materials on his or her head.
- The appliance must be positioned so that the plug is accessible after installation.
  - Failing to do so may result in an electric shock or fire due to electric leakage.
- Do not install this appliance in a humid, oily or dusty location, in a location exposed to direct sunlight and water (rain drops).
  - Deteriorated insulation of electrical parts may cause an electric shock or fire.
- If any dust or water is in the refrigerator, pull out power plug and contact your Samsung Electronics service center.
  - Otherwise there is a risk of fire.

- 
- Do not stand on top of the appliance or place objects (such as laundry, lighted candles, lighted cigarettes, dishes, chemicals, metal objects, etc.) on the appliance.
    - This may result in an electric shock, fire, problems with the product, or injury.
  - You need to remove all the protective plastic film before you initially plug the product in.
  - Children should be supervised to ensure that they do not play with the snap rings used for door adjustment or the water tube clips.
    - There is risk of death by suffocation if a child swallows a snap ring or water tube clip. Keep the snap rings and water tube clips out of children's reach.
  - The refrigerator must be safely grounded.
    - Always make sure that you have grounded the refrigerator before attempting to investigate or repair any part of the appliance. Power leakages can cause severe electric shock.
  - Never use gas pipes, telephone lines, or other potential lightning attractors as an electrical ground.
    - You must ground the refrigerator to prevent any power leakages or electric shocks caused by current leakage from the refrigerator.
    - This may result in an electric shock, fire, explosion, or problems with the product.
  - Plug the power plug into the wall socket firmly. Do not use a damaged power plug, damaged power cord, or loose wall socket.
    - This may result in an electric shock or fire.

## Safety information

---

- If the power cord is damaged, have it replaced immediately by the manufacturer or one of its service agents.
- The fuse on the refrigerator must be changed by a qualified technician or service company.
  - Failing to do so may result in an electric shock or personal injury.
- This appliance is a built-in model that requires guided ventilation. To prevent a risk of explosion, make sure to secure room for ventilation.
- When positioning the appliance, ensure the supply cord is not trapped or damaged.
- Do not locate multiple portable socket-outlets or portable power supplies at the rear of the appliance.

## Installation cautions

---

### CAUTION

- Allow sufficient space around the refrigerator and install it on a flat surface.
  - Keep the ventilation space in the appliance enclosure or mounting structure clear of obstructions.
- Allow the appliance to stand for 2 hours before loading foods after installation and turning on.
- We strongly recommend you have a qualified technician or service company install the refrigerator.
  - Failing to do so may result in an electric shock, fire, explosion, problems with the product, or injury.

- 
- Overload on any one door may fell the refrigerator, causing physical injury.
  - To prevent a risk of explosion, make sure to secure at least 3 mm of room around the ventilation structure for this appliance.
  - The socket must be easily accessible so that the appliance can be quickly disconnected from the power supply in an emergency. The socket must be positioned outside of the rear area of the appliance so that the socket can be seen from the front.

## Critical usage warnings

---

### **WARNING**

- Do not insert the power plug into a wall socket with wet hands.
  - This may result in an electric shock.
- Do not store articles on the top of the appliance.
  - When you open or close the door, the articles may fall and cause personal injury and/or material damage.
- Do not insert hands, feet or metal objects (such as chopsticks, etc.) into the bottom or the back of the refrigerator.
  - This may result in an electric shock or injury.
  - Any sharp edges may cause a personal injury.
- Do not touch the inside walls of the freezer or products stored in the freezer with wet hands.
  - This may cause frostbite.

## Safety information

---

- Do not put a container filled with water on the refrigerator.
  - If spilled, there is a risk of fire or electric shock.
- Do not keep volatile or flammable objects or substances (benzene, thinner, propane gas, alcohol, ether, LP gas, and other such products) in the refrigerator.
  - This refrigerator is for storing food only.
  - This may result in fire or explosion.
- Children should be supervised to ensure that they do not play with the appliance.
  - Keep fingers out of “pinch point” areas. Clearances between the doors and cabinet are necessarily small. Be careful when you open the doors if children are in the area.
- Do not let children hang on the door or door bins. A serious injury may occur.
- Do not let children go inside the refrigerator. They could become trapped.
- Do not insert your hands into the bottom area under the appliance.
  - Any sharp edges may cause personal injury.
- Do not store pharmaceutical products, scientific materials, or temperature sensitive products in the refrigerator.
  - Products that require strict temperature controls must not be stored in the refrigerator.
- Do not place or use electrical appliance inside the refrigerator/freezer, unless they are of a type recommended by the manufacturer.
- If you smell pharmaceutical or smoke, pull out power plug immediately and contact your Samsung Electronics service center.

- 
- If any dust or water is in Refrigerator, pull out power plug and contact your Samsung Electronics service center.
    - Otherwise there is a risk of fire.
  - Do not let children step on a drawer.
    - The drawer may break and cause them to slip.
  - Do not leave the doors of the refrigerator open while the refrigerator is unattended and do not let children enter inside the refrigerator.
  - Do not allow babies or children go inside the drawer.
    - It can cause death from suffocation by entrapment or personal injury.
  - Do not overfill the refrigerator with food.
    - When you open the door, an item may fall out and cause personal injury or material damage.
  - Do not spray volatile material such as insecticide onto the surface of the appliance.
    - As well as being harmful to humans, it may also result in an electric shock, fire, or problems with the product.
  - Do not use or place any substances sensitive to temperature such as flammable sprays, flammable objects, dry ice, medicine, or chemicals near or inside of the refrigerator.
  - Do not use a hair dryer to dry the inside of the refrigerator. Do not place a lighted candle in the refrigerator for removing bad odours.
    - This may result in an electric shock or fire.

## Safety information

---

- Do not stand on top of the appliance or place objects (such as laundry, lighted candles, lighted cigarettes, dishes, chemicals, metal objects, etc.) on the appliance. This may result in an electric shock, fire, problems with the product, or injury. Do not put a container filled with water on the appliance.
  - If spilled, there is a risk of fire or electric shock.
- Do not use mechanical devices or any other means to accelerate the defrosting process, other than those recommended by the manufacturer.
- Do not damage the refrigerant circuit.
- Never stare directly at the UV LED lamp for long periods of time.
  - This may result in eye strain due to the ultraviolet rays.
- Do not put fridge shelf in upside down. Shelf stopper could not work.
  - It may cause a personal injury because of glass shelf drop.
- Keep fingers out of “pinch point” areas. Clearances between the doors and cabinet are necessarily small. Be careful when you open the doors if children are in the area.
- If a gas leak is detected, avoid any naked flames or potential sources of ignition, and air the room in which the appliance is standing for several minutes.
  - Do not touch the appliance or power cord.
  - Do not use a ventilating fan.
  - A spark may result in explosion or fire.
- Use only the LED Lamps provided by the manufacturer or its service agents.

- Bottles should be stored tightly together so that they do not fall out.
- This product is intended only for the storage of food in a domestic environment.
- Do not attempt to repair, disassemble, or modify the refrigerator yourself.
  - Unauthorized modifications can cause safety problems. To reverse an unauthorized modification, we will charge the full cost of parts and labor.
- Do not use any fuse (such as cooper, steel wire, etc.) other than a standard fuse.
- If your refrigerator needs to be repaired or reinstalled, contact your nearest service center.
  - Failing to do so may result in an electric shock, fire, problems with the product, or injury.
- If the interior or exterior LED lamp has gone out, contact your nearest service center.
- If the refrigerator emits a burning smell or smoke, unplug the refrigerator immediately and contact your Samsung Electronics service center.
  - Failing to do so may result in an electric or fire hazards.
- Pull the power plug out of the socket before changing the interior lamps of the refrigerator.
  - Otherwise, there is a risk of electric shock.
- If you experience difficulty changing a non-LED light, contact a Samsung service center.
- If the product is equipped with LED lamps, do not disassemble the Lamp Covers and LED lamps yourself.
  - Contact a Samsung service center.
- Plug the power plug into the wall socket firmly.

## Safety information

---

- Do not use a damaged power plug, damaged power cord or loose wall socket.
  - This may result in an electric shock or fire.

### Usage cautions

---

#### CAUTION

- Do not re-freeze frozen foods that have thawed completely. Do not place carbonated or fizzy drinks in the freezer compartment. Do not put bottles or glass containers in the freezer.
  - When the contents freeze, the glass may break and cause personal injury.
- To get the best performance from the product:
  - Do not place food too close to the vents at the rear of the refrigerator as this can obstruct free air circulation in the refrigerator compartment.
  - Wrap food up properly or place it in airtight containers before putting it into the refrigerator.
  - Do not place glass bottles or carbonated beverages into the freezer. They can freeze and break. Broken beverage containers can cause injury.
  - Please observe maximum storage times and expiration dates of frozen goods.
- Do not place glass or bottles or carbonated beverages into the freezer.
  - The container may freeze and break, and this may result in injury.

- 
- Do not place carbonated or fizzy drinks in the freezer compartment. Do not put bottles or glass containers in the freezer.
    - When the contents freeze, the glass may break and cause personal injury and property damage.
  - Service Warranty and Modification.
    - Any changes or modifications performed by a 3rd party on this finished appliance are not covered under Samsung warranty service, nor is Samsung responsible for safety issues that result from 3rd party modifications.
  - Do not block the air vents inside the refrigerator.
    - If the air vents are blocked, especially with a plastic bag, the refrigerator can be over cooled.
  - Wipe excess moisture from the inside and leave the doors open.
    - Otherwise, odor and mold may develop.
  - If the refrigerator is disconnected from the power supply, you should wait for at least five minutes before plugging it back in.
  - When the refrigerator got wet by water, pull out the power plug and contact your Samsung Electronics service center.
  - Do not strike or apply excessive force to any glass surface.
    - Broken glass may result in a personal injury and/or property damage.
  - Be careful that your fingers are not caught in.
  - If the refrigerator is flooded, make sure to contact your nearest service center.
    - There is a risk of electric shock or fire.

## Safety information

---

- Use caution not to catch your fingers in the cabinet door when opening or closing it.
- Do not keep vegetable oil in your refrigerator's door bins. The oil can solidify, making it foul-tasting and difficult to use. In addition, the open container can leak and the leaked oil can cause the door bin to crack. After opening an oil container, it is best to keep the container in a cool and shaded place such as a cupboard or pantry.
  - Examples of vegetable oil: olive oil, corn oil, grape-seed oil, etc.

### Cleaning cautions

---

#### CAUTION

- Do not spray water directly on the inside or outside the refrigerator.
  - There is a risk of fire or electric shock.
- Do not use a hair dryer to dry the inside of the refrigerator.
- Do not place a lighted candle in the refrigerator to remove bad odors.
  - This may result in an electric shock or fire.
- Do not spray cleaning products directly on the display.
  - Printed letters on the display may come off.
- If any foreign substance such as water has entered the appliance, unplug the power plug and contact your nearest service center.
  - Failing to do so may result in an electric shock or fire.

- 
- Use a clean, dry cloth to remove any foreign matter or dust from the power plug blades. Do not use a wet or damp cloth when cleaning the plug.
    - Otherwise, there is a risk of fire or electric shock.
  - Do not clean the appliance by spraying water directly onto it.
  - Do not use benzene, thinner, or Clorox, Chloride for cleaning.
    - They may damage the surface of the appliance and may cause a fire.
  - Before cleaning or performing maintenance, unplug the appliance from the wall socket.
    - Failing to do so may result in an electric shock or fire.
  - Use a clean sponge or soft cloth and a mild detergent in warm water to clean the refrigerator.
  - Do not use abrasive or harsh cleansers such as window sprays, scouring cleansers, flammable fluids, muriatic acid, cleaning waxes, concentrated detergents, bleaches, or cleansers containing petroleum products on exterior surfaces (doors and cabinet), plastic parts, door and interior liners, and gaskets.
    - These can scratch or damage the material.
  - Do not clean glass shelves or covers with warm water when they are cold. Glass shelves and covers may break if exposed to sudden temperature changes or impacts such as bumping or dropping.

# Safety information

---

## Critical disposal warnings

---

### **WARNING**

- Please dispose of the packaging material from this product in an environmentally friendly manner.
- Ensure that none of the pipes on the back of the refrigerator are damaged prior to disposal.
- R-600a or R-134a is used as a refrigerant. Check the compressor label on the rear of the appliance or the rating label inside the fridge to see which refrigerant is used for your refrigerator. If this refrigerator contains flammable gas (Refrigerant R-600a), contact your local authority in regard to safe disposal of this product.
- When disposing of this refrigerator, remove the door/door seals and door latch so that small children or animals cannot become trapped inside. Children should be supervised to ensure that they do not play with the appliance. If trapped inside, a child may get hurt or suffocate to death.
  - If trapped inside, the child may become injury and suffocate to death.
- Cyclopentane is used in the insulation. The gases in the insulation material require a special disposal procedure. Please contact your local authorities in regard to the environmentally safe disposal of this product.
- Keep all packaging materials well out of the reach of children, as packaging materials can be dangerous to children.
  - If a child places a bag over his or her head, the child could suffocate.



---

## Additional tips for proper usage

---

- In the event of a power failure, call the local office of your electric company and ask how long the failure is going to last.
  - Most power failures that are corrected in an hour or two will not affect your refrigerator temperatures. However, you should minimize the number of door openings while the power is off.
  - Should the power failure last more than 24 hours, remove and discard all frozen food.
- The refrigerator might not operate consistently (frozen contents can thaw or temperatures can become too warm in the frozen food compartment) if sited for an extended period of time in a location where ambient air temperatures are constantly below the temperatures for which the appliance is designed.
- In case of particular foods, keeping it under refrigeration can have a bad effect on preservation due to its properties.
- Your appliance is frost free, which means there is no need to manually defrost your appliance. This will be carried out automatically.
- Temperature rise during defrosting complies with ISO requirements. If you want to prevent an undue rise in the temperature of frozen food while the appliance defrosts, wrap the frozen food in several layers of newspaper.
- Do not re-freeze frozen foods that have thawed completely.



# Safety information

---

## Saving Energy Tips

---

- Install the appliance in a cool, dry room with adequate ventilation. Ensure that it is not exposed to direct sunlight and never put it near a direct source of heat (a radiator, for example).
- Not to block any vents and grilles is recommended for energy efficiency.
- Allow warm food to cool down before placing it in the appliance.
- Put frozen food in the refrigerator to thaw. You can then use the low temperatures of the frozen products to cool food in the refrigerator.
- Do not keep the door of the refrigerator open for too long when putting food in or taking food out. The shorter the time the door is open, the less frost build-up you'll have in the freezer.
- It is recommended to install the refrigerator with clearance to the back and sides. This will help reduce power consumption and keep your energy bills lower.
- For the most efficient use of energy, please keep the all inner fittings such as baskets, drawers, shelves on the position supplied by manufacturer.
- Select 580 mm cavity depth. A smaller cavity depth will result in a higher energy consumption.

---

## **This appliance is intended to be used in household and similar applications such as**

---

- staff kitchen areas in shops, offices and other working environments;
- farm houses and by clients in hotels, motels and other residential type environments;
- bed and breakfast type environments;
- catering and similar non-retail applications.

# Safety information

---

## Instructions about the WEEE

---



### Correct Disposal of This Product (Waste Electrical & Electronic Equipment) (Applicable in countries with separate collection systems)

This marking on the product, accessories or literature indicates that the product and its electronic accessories (e.g. charger, headset, USB cable) should not be disposed of with other household waste at the end of their working life. To prevent possible harm to the environment or human health from uncontrolled waste disposal, please separate these items from other types of waste and recycle them responsibly to promote the sustainable reuse of material resources.

Household users should contact either the retailer where they purchased this product, or their local government office, for details of where and how they can take these items for environmentally safe recycling.

Business users should contact their supplier and check the terms and conditions of the purchase contract. This product and its electronic accessories should not be mixed with other commercial wastes for disposal.

For information on Samsung's environmental commitments and product specific regulatory obligations e.g. REACH visit: [samsung.com/uk/aboutsamsung/samsungelectronics/corporatecitizenship/data\\_corner.html](https://samsung.com/uk/aboutsamsung/samsungelectronics/corporatecitizenship/data_corner.html)

(For products sold in European countries only)

# Installation

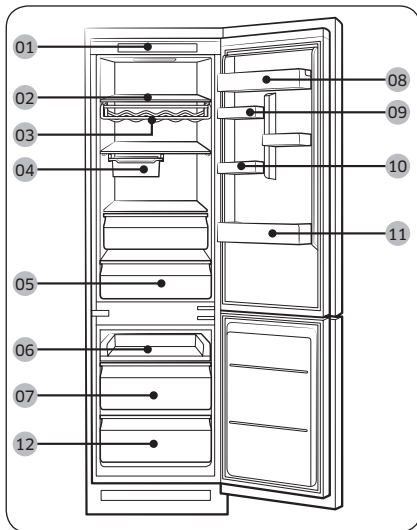
Follow these instructions carefully to ensure a proper installation of this refrigerator and to prevent accidents before using it.

## ⚠ WARNING

- Use the refrigerator only for its intended purpose as described in this manual.
- Any servicing must be performed by a qualified technician.
- Dispose of the product packaging material in compliance with the local regulations.
- To prevent electric shock, unplug the power cord before servicing or replacements.

## Refrigerator at a glance

The actual image and provided component parts of the refrigerator may differ, depending on the model and the country.



- 01** Control panel
- 02** Fridge shelf
- 03** Wine rack \*
- 04** Moving tray\*
- 05** Fridge drawer
- 06** Slide shelf
- 07** Freezer middle drawer
- 08** Dairy guard
- 09** Variety guard
- 10** Egg tray \*
- 11** Fridge guard
- 12** Freezer bottom drawer

\* applicable models only

# Installation

---

## NOTE

- BRB2\*\*\*\*8\*\*, BRB2\*\*\*\*9\*\* : To quickly freeze large quantities of food, use the bottom drawer of the freezer.
- BRB2\*\*\*\*0\*\*, BRB2\*\*\*\*1\*\*, BRB2\*\*\*\*4\*\*, BRB2\*\*\*\*5\*\*, BRB2\*\*\*\*6\*\*, BRB2\*\*\*\*7\*\* : To quickly freeze large quantities of food, use the freezer after removing the bottom drawer of the freezer.
- For best energy efficiency, make sure all of shelves, drawers, and baskets are placed in their original position.
- BRB2\*\*\*\*0\*\*, BRB2\*\*\*\*1\*\*, BRB2\*\*\*\*4\*\*, BRB2\*\*\*\*5\*\*, BRB2\*\*\*\*6\*\*, BRB2\*\*\*\*7\*\* : To get more space, you can remove the slide shelf (6) and two freezer drawers (7,12) under it but keep the freezer shelf on the bottom drawer of the freezer. They do not affect thermal and mechanical characteristics. The declared storage volume of the frozen food storage compartment is calculated with the shelf and the freezer drawers removed.
- BRB2\*\*\*\*8\*\*, BRB2\*\*\*\*9\*\* : To get more space, you can remove the slide shelf (6) and the middle freezer drawer (7) but keep the freezer shelf on the bottom drawer of the freezer. They do not affect thermal and mechanical characteristics. The declared storage volume of the frozen food storage compartment is calculated with the shelf and the freezer drawer removed.

---

## Step-by-step installation

---

### STEP 1 Select a site

---

#### Site requirements:

- Solid, level surface without carpeting or flooring that may obstruct ventilation
- Away from direct sunlight
- Adequate room for opening and closing the door
- Away from a heat source
- Room for maintenance and servicing
- Temperature range: between 10 °C and 43 °C

#### Effective temperature range

The refrigerator is designed to operate normally in the temperature range specified by its class rating.

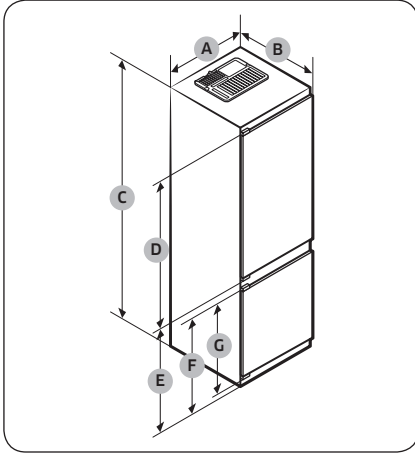
Class	Symbol	Ambient Temperature range (°C)	
		IEC 62552 (ISO 15502)	ISO 8561
Extended Temperate	SN	+10 to +32	+10 to +32
Temperate	N	+16 to +32	+16 to +32
Subtropical	ST	+16 to +38	+18 to +38
Tropical	T	+16 to +43	+18 to +43

#### NOTE

The cooling performance and power consumption of the refrigerator may be affected by the ambient temperature, the door-opening frequency, and the location of the refrigerator. We recommend adjusting the temperature settings as appropriate.

# Installation

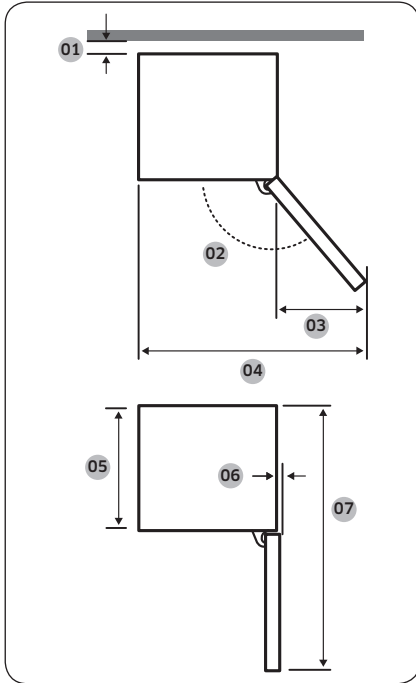
## Product dimension



A	540±2
B	550±2
C	1775±2
D	971
E	735
F	671
G	621

(unit : mm)

## Product Overall Dimension



Model	BRB2601* FIXED TYPE	BRB2600* SLIDE TYPE
01 *	30 Recommend	
02	115° Recommend	95° Recommend
03	180	218
04	700	758
05	510	510
06	5	1
07	1055	1055

\* 01: From cabinet to rear of product.  
(unit : mm)

### NOTE

- The specified energy consumption is based on the condition of a 30 mm gap from cabinet to rear of product. The product will work properly even with a gap which is less than 30 mm, however it consumes slightly more energy.
- We recommend using a cabinet that is 18 mm thick with hinges less than 20 mm thick.

### NOTE

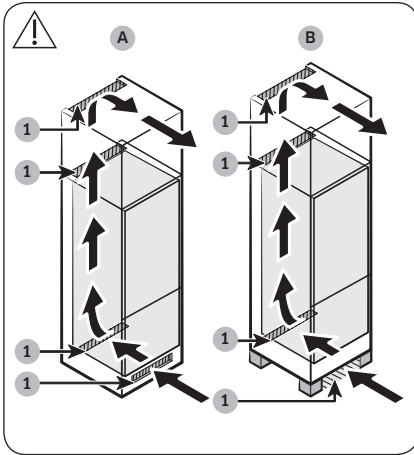
- The measurements in the above table may differ, depending on the measuring method.
- For built-in installation, see the Installation Manual.

# Installation

## Ventilation system of the cabinet

As shown in the figure, the air entering the refrigerator circulates along the ventilation path (see the arrow direction) of the cabinet. The cabinet must have at least 200 cm<sup>2</sup> (WxH: 500 mm x 40 mm) of space both for the air inlet and air outlet. Also, the cabinet must have a rear vent of at least 200 cm<sup>2</sup> (WxH: 500 mm x 40 mm) of space at the rear bottom.

Air inlet



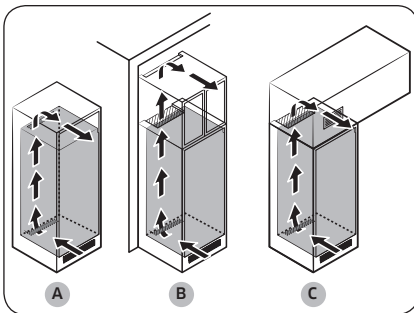
1	200 cm <sup>2</sup>
---	---------------------

The air inlet must be positioned in one of the examples below, or a similar position, depending on your cabinet type.

- A. A ventilation hole included in the cabinet.
- B. A cabinet with feet.

Installation

Air outlet



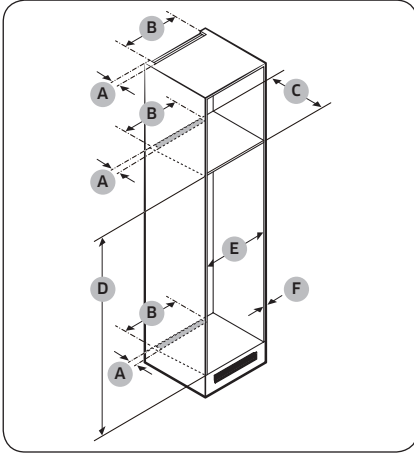
The air outlet must be positioned in one of the examples below, or a similar position, depending on your cabinet type.

- A. Immediately above the refrigerator with an optional vent grille
- B. Close to the cabinet ceiling
- C. Above the refrigerator with a separately built-in vent

### ⚠ CAUTION

Regardless of the cabinet design, the air ventilation system must not be blocked by any kind of installation.

### Cabinet dimension



### ⚠ CAUTION

If the cabinet has a door, make sure the door is not heavy to prevent it from tipping or falling off.

Cabinet door	Thickness (mm)	Weight (kg)
Fridge side	Min. 16	Max. 18
Freezer side	Max. 19	Max. 12

Any product failure due to the following is not covered by the Warranty.

1. Improper site conditions or incorrect cabinet sizes
2. Defective cabinet
3. Mistakes by the installer or the user

### Clearance

See the pictures and tables below for space requirements for installation.

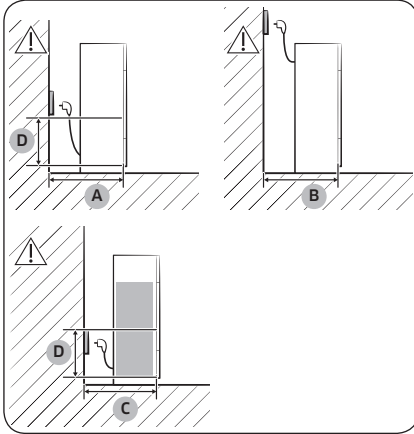
Model		A (mm)	B (mm)	C (mm)	D (mm)	E (mm)	F (mm)	Remark
BRB2600* SLIDE TYPE	Min.	40	500	560	1778	560	-	Hinge : 17 mm
	Recommend			580	1780	562	-	
	Max.			-	1782	-	19	
BRB2601* FIXED TYPE	Min.	40	500	560	1778	555	-	
	Recommend			580	1780	562	-	
	Max.			-	1782	-	19	

### 📖 NOTE

- The specified energy consumption is based on a cabinet depth of 580 mm. The product will work properly at a cabinet depth of 560 mm also, however it consumes slightly more energy.
- If the cabinet is higher than the maximum dimension (1782 mm), you must use other finishing materials to fill the gap.

# Installation

Minimum cabinet depth excluding the depth of the refrigerator door



A	Min. 590
B	Min. 560
C	Min. 580
D	240

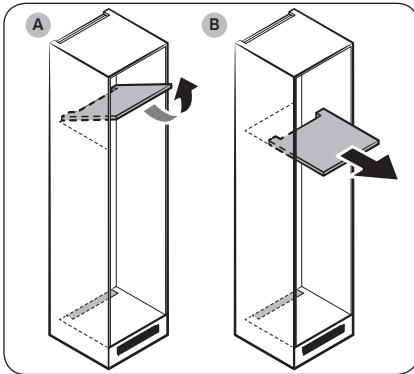
(unit : mm)

## NOTE

If you install the refrigerator in a cabinet with a 560 mm depth, make sure the power cord is arranged on a side of the refrigerator before plugging into a power socket. If the power cord is in the rear of the refrigerator, it could decrease the energy efficiency.

## Cabinet type

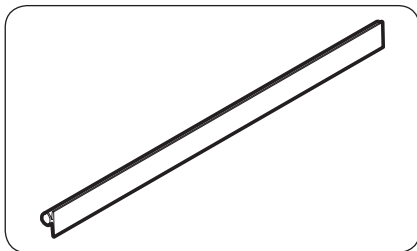
The recommended cabinet type is one of the following:



## NOTE

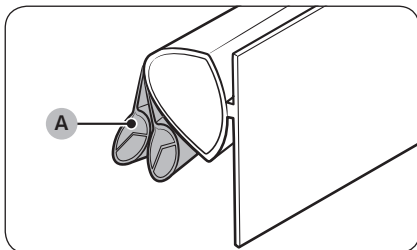
If using any of these cabinet types, you don't need to remove the main unit from the cabinet for servicing a defective main PBA. If using another cabinet type, you must remove the main unit from that cabinet for servicing.

- A. Flipping type
- B. Sliding type



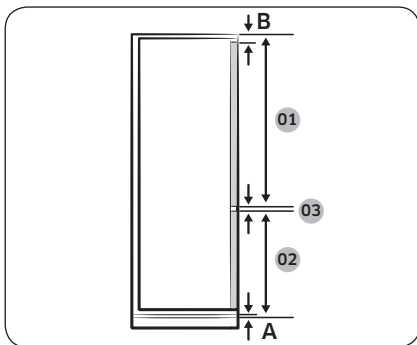
**NOTE**

- Using an unrecommended-sized cabinet can cause the gasket between the refrigerator and the cabinet to be loose after the refrigerator is inserted in the cabinet.



**NOTE**

- If the gasket dedicated to BRB2601\* (FIXED TYPE) models is not inserted properly, split and remove the 2 extra branches (A) of the gasket one by one and try again.



**NOTE**

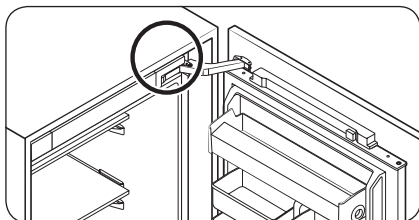
To install a cabinet requiring a 3 mm gap (03), see the cabinet reference table below.

Model	BRB2601* FIXED TYPE	BRB2600* SLIDE TYPE
01	Min. 1063+B Max. 1076+B	Min. 1041+B Max. 1102+B
02	Min. 696+A Max. 709+A	Min. 670+A Max. 731+A
03	3 mm (fridge and freezer door gap)	

- A. Lower edge of the front panel above the air ventilation
- B. Front panel overhang

# Installation

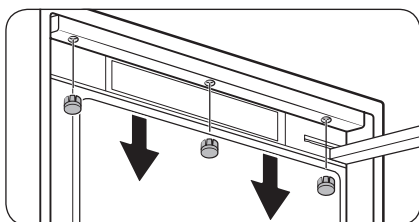
## STEP 2 Wi-Fi connection (applicable models only)



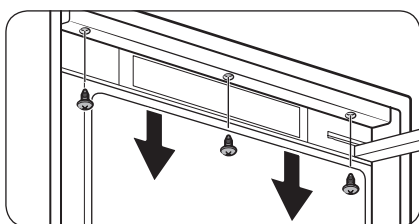
You can control the refrigerator remotely using the Smart Home Dongle that is sold separately. To purchase the Smart Home Dongle, visit [www.samsung.com](http://www.samsung.com) and follow the product information about the dongle.

### ⚠ CAUTION

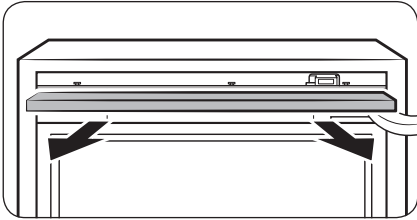
- The Samsung Smart Home Dongle comes in two types: one that is dedicated to Samsung smart TVs, and the other one that is dedicated to Samsung home appliances.
- You must purchase the Samsung Smart Home Dongle dedicated to home appliances. Any other dongles may cause system failure.



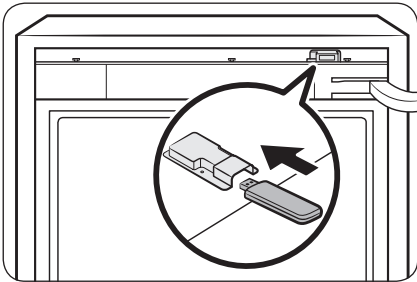
1. Open the fridge door, and use a flat-head screwdriver to remove the 3 screw caps on the ceiling of the main unit.



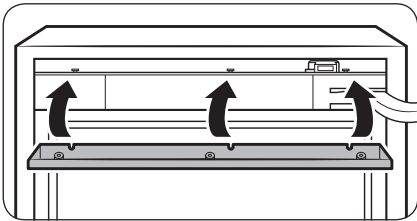
2. Loosen and remove the screws (x3).



3. Gently pull out the ceiling cover to remove. The dongle port is revealed.



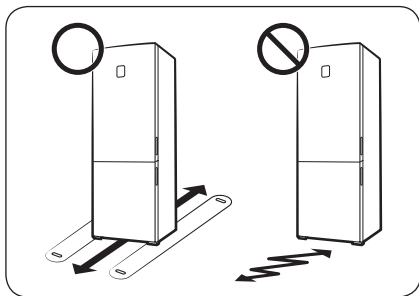
4. Insert the Smart Home Dongle into the dongle port. Make sure the dongle fits.



5. Reinsert the ceiling cover, and tighten the screws (x3) to fix the ceiling cover.
6. Reinsert the screw caps.

# Installation

## STEP 3 Flooring



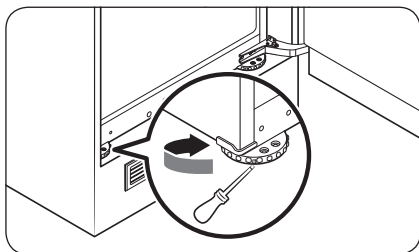
- The surface to install the refrigerator must support a fully loaded refrigerator.
- To protect the floor, put a large piece of cardboard on each foot of the refrigerator.
- Once the refrigerator is in its final position, do not move it unless necessary to protect the floor. If you have to, use a thick paper or cloth such as old carpet along the movement path.

## STEP 4 Adjust the levelling legs

### ⚠ CAUTION

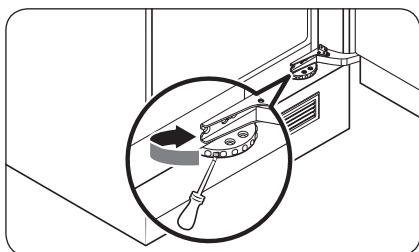
- The refrigerator must be levelled on a flat, solid floor. Failing to do so can cause damage to the refrigerator or physical injury.
- Levelling must be performed with an empty refrigerator. Make sure no food items remain inside the refrigerator.

The refrigerator can be levelled using the front legs that have a special screw (leveller) for levelling purposes. Use a flat-head screwdriver for levelling.



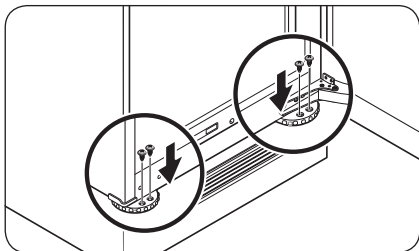
### To adjust the height of the left side:

Insert a flat-head screwdriver into the leveller of the front left leg. Turn the leveller clockwise to raise, or turn it counter clockwise to lower.

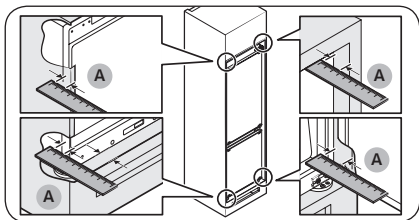


### To adjust the height of the right side:

Insert a flat-head screwdriver into the leveller of the front right leg. Turn the leveller clockwise to raise, or turn it counter clockwise to lower.

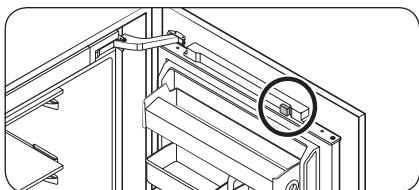
**NOTE**

Make sure to secure a 41 mm (A: for both the sliding hinge and the fixed hinge) gap between the refrigerator and the closet or alcove. Then, fix the front legs using the screws.

**STEP 5 Initial settings**

By completing the following steps, the refrigerator should be fully functioning.

1. Remove the PE foam sheet on each shelf corner, which is attached to protect the refrigerator during transportation.
2. Open the door, and check if the interior light lights up.



3. Remove the PE foam on the magnet from the top of the door.

4. Set the temperature to the coldest, and wait for about an hour. Then, the freezer will be slightly chilled, and the motor will run smoothly.
5. Wait until the refrigerator reaches the set temperature. Now the refrigerator is ready for use.

**NOTE**

When the refrigerator powers on, the alarm will sound. To turn off the alarm, press **Freezer** or **Fridge**.





# Installation

---

## STEP 6 Temperature Alarm (applicable models only)

---

### Type 1

- The refrigerator blinks '- -' on the temperature display with an alarm if the freezer compartment is too warm. This may occur if the freezer becomes too warm after there has been a power failure.
- If this happens, press **Freezer** or **Fridge**. Whichever warmer temperature is displayed for 5 seconds. Then the actual temperature is displayed. To deactivate the alarm, press **Door Alarm**.

### Type 2

- The refrigerator blinks the temperature indicator with an alarm if the freezer compartment is too warm. This may occur if the freezer becomes too warm after there has been a power failure. To deactivate the alarm, press **Freezer** or **Fridge**.

## STEP 7 Final check

---

When installation is complete, confirm that:

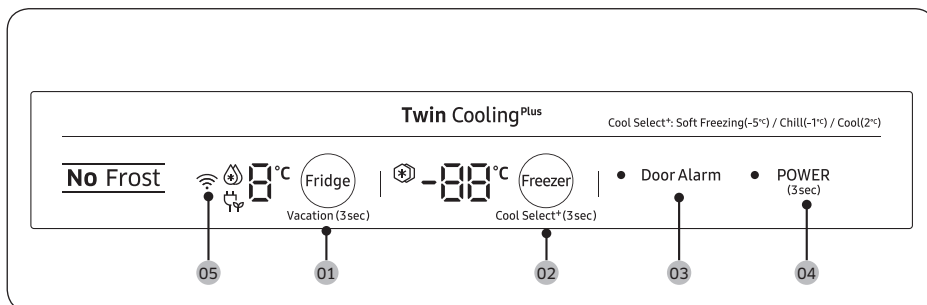
- The refrigerator is plugged into an electrical outlet and grounded properly.
- The refrigerator is installed on a flat, level surface with a reasonable clearance from the wall or the cabinet.
- The refrigerator is level and is sitting firmly on the furniture.
- The door opens and closes freely, and the interior light turns on automatically when you open the door.



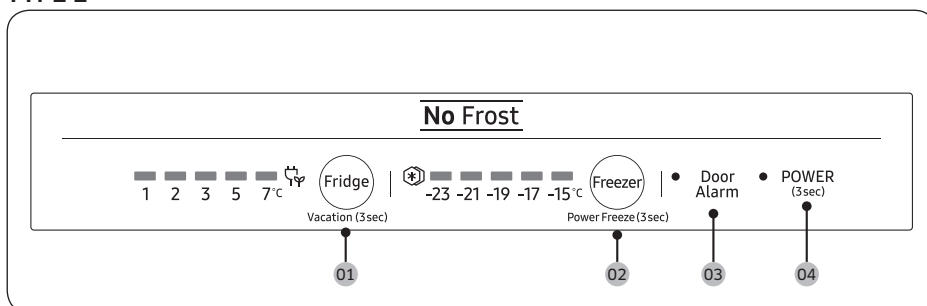
# Operations

## Feature panel

### TYPE 1



### TYPE 2



**01** Fridge / Vacation

**02** Freezer / Power Freeze / Cool Select+ \*

**03** Door Alarm

**04** Power

**05** Network connection \*



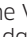

\* applicable models only

#### **NOTE**

The LED indicators turn on all at once when the door is open, or turn off all at once when the door is closed.





# Operations

## 01 Fridge / Vacation (3 sec)

Fridge	<p>To adjust the fridge temperature, press <b>Fridge</b> to select the corresponding temperature. You can change the temperature between 1 °C and 7 °C (default: 3 °C).</p> <p><b>Power Cool (Type 1)</b> Power Cool speeds up the cooling process at maximum fan speed. The fridge keeps running at full speed for two and a half hours and then returns to the previous temperature.</p> <ul style="list-style-type: none"><li>• To activate Power Cool, select temperature 1 °C, and then press <b>Fridge</b> to select Power Cool. The corresponding indicator (  ) lights up, and the refrigerator will speed up the cooling process for you.</li><li>• To deactivate Power Cool, press <b>Fridge</b> again. Then, the temperature of the fridge will be set back to 7 °C.</li></ul> <p> <b>NOTE</b> Using Power Cool increases power consumption. Make sure you turn it off and return to the previous temperature if you don't intend to use it.</p>
Vacation	<p>If you are going on vacation or a business trip, or if you do not intend to use the fridge for an extended time, use the Vacation mode.</p> <ul style="list-style-type: none"><li>• To activate Vacation mode, press and hold <b>Fridge</b> for 3 seconds. The Vacation On indicator (  ) turns on while the display of the fridge temperatures will turn off. The fridge temperature will be controlled under 17 °C, but the freezer remains active as previously set.</li><li>• To deactivate Vacation mode, press and hold <b>Fridge</b> again for 3 seconds. The fridge temperature will return to the previous setting.</li></ul> <p> <b>NOTE</b></p> <ul style="list-style-type: none"><li>• Make sure to remove foods in the fridge compartment before using Vacation mode.</li><li>• The Vacation mode will be disabled if you adjust the temperature.</li></ul>



## 02 Freezer / Power Freeze (3 sec) / Cool Select+ (3 sec)

Freezer	<p>The <b>Freezer</b> button can be used to set the freezer temperature. Available temperatures are between -15 °C and -23 °C (default: -19 °C).</p> <p> <b>NOTE</b> You cannot change the temperature in Cool Select mode.</p>
Power Freeze	<p>Power Freeze uses maximum fan speed to speed up the freezing process. The freezer keeps running at full speed for 50 hours and then returns to the previous temperature.</p> <p><b>Type 1</b></p> <ul style="list-style-type: none"> <li>To activate Power Freeze, select temperature -23 °C, and then press <b>Freezer</b> to select Power Freeze. The corresponding indicator (  ) lights up, and the refrigerator will speed up the freezing process for you.</li> <li>When the Power Freeze process is complete, the corresponding indicator turns off and the freezer returns to the previous temperature setting.</li> <li>To deactivate Power Freeze, press <b>Freezer</b> again. The freezer returns to the previous temperature setting.</li> <li>To freeze large amounts of food, activate Power Freeze for at least 20 hours before putting food in the freezer.</li> </ul> <p><b>Type 2</b></p> <ul style="list-style-type: none"> <li>To activate Power Freeze, press and hold <b>Freezer</b> for 3 seconds to select Power Freeze. The corresponding indicator (  ) lights up, and the refrigerator will speed up the freezing process for you.</li> <li>To deactivate Power Freeze, press and hold <b>Freezer</b> for 3 seconds again. The freezer returns to the previous temperature setting, and the indicator turns off.</li> <li>To freeze large amounts of food, activate Power Freeze for at least 20 hours before putting food in the freezer.</li> </ul> <p> <b>NOTE</b> Using Power Freeze increases power consumption. Make sure you turn it off and return to the previous temperature if you do not intend to use it.</p>



# Operations

<p>Cool Select+ (Type 1)</p>	<p>Each time you press and hold <b>Cool Select+</b> for 3 seconds, the operating mode switches in this sequence: Freeze → Soft Freezing (-5 °C) → Chill (-1 °C) → Cool (2 °C)</p> <p><b>⚠ CAUTION</b></p> <ul style="list-style-type: none"> <li>• If you switch the mode from Freezer to Cool Select+, the stored food may leak juice or liquid from the food.</li> <li>• Do not store meat or fishery for an extended time in Cool Select+ mode. The food may freeze or spoil because of inappropriate temperature settings for the food to store.</li> <li>• If the refrigerator recovers power from an extended time of inactivity, the Cool Select+ settings may be reset to factory defaults. Check out the Cool Select+ settings before using the refrigerator.</li> </ul>
----------------------------------	---

## 03 Door Alarm

<p>Door Alarm</p>	<p>You can set the alarm for a reminder. If the door is left open for more than 2 minutes, the alarm will sound with the Alarm indicator blinking.</p> <p>You can toggle to enable and disable the alarm by pressing <b>Door Alarm</b>.</p>
<p>Device authentication</p>	<p>When connecting the refrigerator to the Samsung Smart Home App or Samsung smart devices such as Samsung smart TVs, follow the app's or device's onscreen instructions and press and hold <b>Door Alarm</b> for 5 seconds. The temperature panel displays "on" for 5 seconds before proceeding with the authentication procedure. Note that the Control Lock function will not be affected by this authentication.</p>

## 04 Power (3 sec)

<p>Power</p>	<p>To turn the refrigerator on, press and hold <b>Power</b> for 3 seconds. Both the fridge and the freezer turn on, and do the lamps accordingly.</p> <p>If you press and hold <b>Power</b> for 3 seconds again, the refrigerator (both the fridge and the freezer) turns off, and the room lamps also turn off.</p>
--------------	--

---

## 05 Network connection (applicable models only)

You can use the optional Smart Home Dongle (sold separately) to control and monitor your refrigerator through the Samsung Smart Home app. For more information about Samsung Smart Home, see the Samsung Smart Home section.

### NOTE

- Recommended encryption systems include WPA/TKIP and WPA2/AES. Any newer or unstandardized Wi-Fi authentication protocols are not supported.
- Wireless networks may be affected by the surrounding wireless communication environment.
- If your Internet service provider has registered the MAC address of your PC or modem for identification, your Samsung Smart Refrigerator may fail to connect to the Internet. If this happens, contact your Internet service provider for technical assistance.
- The firewall settings of your network system may prevent your Samsung Smart Refrigerator from accessing the Internet. Contact your Internet service provider for technical assistance. If this symptom continues, contact a local Samsung service center or retailer.
- To configure the wireless access point (AP) settings, see the user manual of the AP.
- Samsung Smart Refrigerators featuring the Samsung Smart Home Dongle support both Wi-Fi 2.4 GHz with IEEE 802.11 b/g/n and Soft-AP protocols (IEEE 802.11 n is recommended).
- Unauthorized Wi-Fi wireless routers may fail to connect to applicable Samsung Smart Refrigerators.

# Operations

## Samsung Smart Home (applicable models only)

### Installation

Visit the Google Play Store, Galaxy Apps, or Apple App Store and search for "Samsung Smart Home". Download and install the Samsung Smart Home app provided by Samsung Electronics to your smart device.

#### NOTE

- The Samsung Smart Home app is designed for Android 4.0 (ICS) or higher, or iOS 8.0 or higher, and is optimized for Samsung smartphones (Galaxy S and Galaxy Note series). On other smartphone models, some functions may operate differently.
- For improved performance, the Samsung Smart Home app is subject to change without notice, or discontinued support according to the manufacturer's policy.

### Samsung account

You are required to register your Samsung account to use the app. If you don't have a Samsung account, follow the app's onscreen instructions to create a free Samsung account.

### Getting started

1. Insert the Smart Home Dongle into the corresponding port of your refrigerator.
2. Run the Samsung Smart Home app and log in with your Samsung account. iPhone users are required to provide the login information each time they access the app.
3. Select **Add Device**, and then tap **Refrigerator**.
4. Follow the onscreen instructions to provide the necessary information about the router, and then tap **Next**.
5. Press and hold **Fridge** for more than 5 seconds until the "AP" message appears on the display. Your refrigerator will be registered with the app.
6. When the device registration is complete, the refrigerator icon will appear on the Samsung Smart Home app.
7. Tap the refrigerator icon to open the refrigerator page.
8. When a network connection is established, the Wi-Fi icon lights up on your refrigerator.

### Refrigerator app

#### Integrated control

You can monitor and control your refrigerator at home as well as while on the move.

- Tap the refrigerator icon on the Samsung Smart Home to open the refrigerator page.
- Check the operation status or notification of your refrigerator, and change options or settings if necessary.

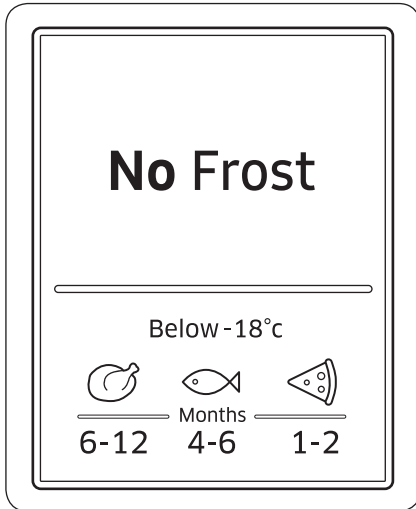
#### NOTE

Some options or settings of the refrigerator may not be available for remote control.

Category	Item	Description
Monitoring	Fridge temperature	Displays the current temperature setting of the fridge.
	Freezer temperature	Displays the current temperature setting of the freezer.
	Self Check	Detects abnormal operations of the refrigerator.
Functions	Power Cool	You can turn Power Cool on or off, and check the current settings.
	Power Freeze	You can turn Power Freeze on or off, and check the current settings.
Alarms	Abnormally high temperature	This alarm is triggered when the fridge or freezer has abnormally high temperatures.
	Door opening	This alarm is triggered if the fridge door or the freezer door is left open for a specific time.

# Operations

## Storage information



The numbers marked in the bottom section of this figure indicate the storage period for the immediately above food item. For example, 4-6 months for fish.

### To freeze food

1. Wrap the food airtight with suitable wrapping materials.
2. Seal the wrapping.
3. Label the wrapping with the content and date.

### Wrapping materials

- Materials suitable for wrapping food: plastic film, polyethylene blown film, aluminium foil, and freezer tins.
- Materials not suitable for wrapping food: wrapping paper, greaseproof paper, cellophane, food garbage bags, and used shopping bags.

### Sealing materials

Rubber bands, plastic clips, string, cold-resistant adhesive tape or similar. Bags and polyethylene blown film can be sealed with a film sealer.

---

## Storage period of frozen food

The storage period differs with food types and storing temperatures. The following specification is based on a temperature of -18 °C (0 °F):

- Fresh poultry (whole chickens), fresh meat (steaks, roasts): up to 12 months
- Fish (lean fish, cooked fish), fresh shrimp, scallops, squid: up to 6 months
- Pizza, sausage: up to 2 months

### NOTE

For more information, visit the FDA web site (<http://www.fda.gov/>).

## Thawing

Frozen food can be thawed in the following ways:

- Naturally at room temperatures
- Naturally in the fridge
- By using an electric oven with or without heat support
- By using a microwave oven

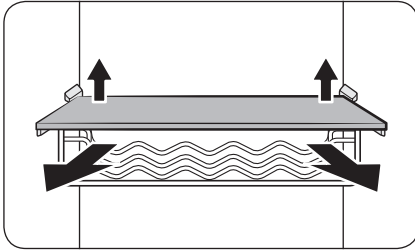
### NOTE

- Do not refreeze thawed food. Some parts of the food may not freeze completely.
- Do not store frozen food for longer than the max storage period.

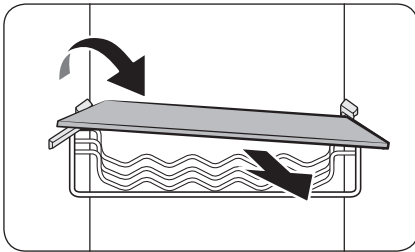
# Maintenance

## Handle and care

### Shelves / Wine Rack (applicable models only)

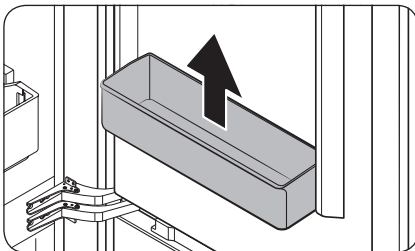


1. Slightly lift up the rear side of the shelf (or wine rack) to pull out.



2. Twist the shelf (or wine rack) diagonally to remove.

### Fridge guard / Variety guard



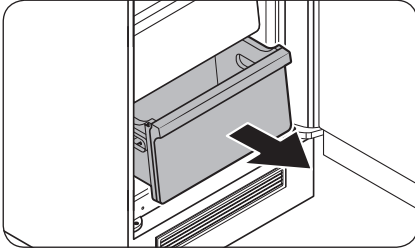
Hold the guard with both hands, and then lift up to remove.

**⚠ CAUTION**

To prevent accidents, empty the guards before removing

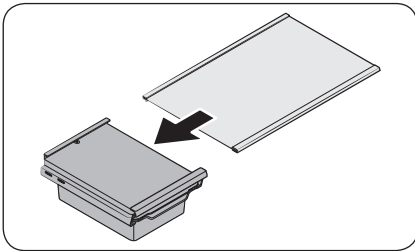
---

## Fridge drawer / Freezer drawer



Gently lift up the front of the drawer and slide out.

## Moving tray shelf



1. Slightly lift up the rear side of the shelf to pull up to the front.
2. Slide out the shelf to the side to remove.

# Maintenance

---

## Cleaning

---

### Interior and exterior

 **WARNING**

- Do not use benzene, thinner, or home/car detergent such as Clorox™ for cleaning purposes. They may damage the surface of the refrigerator and cause a fire.
- Do not spray water onto the refrigerator. This may cause electric shock.

Regularly use a dry cloth to remove all foreign substances such as dust or water from the power plug terminals and contact points.

1. Unplug the power cord.
2. Use a moistened, soft, lint-free cloth or paper towel to clean the refrigerator's interior and exterior.
3. When done, use a dry cloth or paper towel to dry well.
4. Plug in the power cord.

## Replacement

---

### LED Lamps

To replace the lamps of the refrigerator, contact a local Samsung service centre.

 **WARNING**

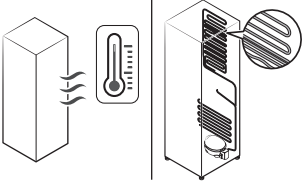
- The lamps are not user-serviceable. Do not attempt to replace a lamp yourself. This can cause electric shock.

# Troubleshooting

Before calling for service, review the checkpoints below. Any service calls regarding normal situations (No Defect Cases) will be charged to users.

## General

### Temperature

Symptom	Possible causes	Solution
Fridge/freezer does not operate. Fridge/freezer temperature is warm.	<ul style="list-style-type: none"> <li>Power cord is not plugged in properly.</li> </ul>	<ul style="list-style-type: none"> <li>Properly plug in the power cord.</li> </ul>
	<ul style="list-style-type: none"> <li>Temperature control is not set correctly.</li> </ul>	<ul style="list-style-type: none"> <li>Set the temperature lower.</li> </ul>
	<ul style="list-style-type: none"> <li>Refrigerator is located near a heat source or direct sunlight.</li> </ul>	<ul style="list-style-type: none"> <li>Keep the refrigerator away from direct sunlight or a heat source.</li> </ul>
	<ul style="list-style-type: none"> <li>Not enough clearance between refrigerator and sides/rear.</li> </ul>	<ul style="list-style-type: none"> <li>Make sure to secure at least 7 mm of space from the rear and side walls of the cabinet.</li> </ul>
	<ul style="list-style-type: none"> <li>Vacation mode is activated.</li> </ul>	<ul style="list-style-type: none"> <li>Deactivate vacation mode.</li> </ul>
	<ul style="list-style-type: none"> <li>The refrigerator is overloaded. Food is blocking the refrigerator vents.</li> </ul>	<ul style="list-style-type: none"> <li>Do not overload the refrigerator. Do not allow food to block ventilation.</li> </ul>
Fridge/freezer is over-cooling.	<ul style="list-style-type: none"> <li>Temperature control is not set correctly.</li> </ul>	<ul style="list-style-type: none"> <li>Set the temperature higher.</li> </ul>
Interior wall is hot.	<ul style="list-style-type: none"> <li>Refrigerator has heat-proof piping in the interior wall.</li> </ul>	<ul style="list-style-type: none"> <li>To prevent condensation from forming, the refrigerator has heat-proof piping in the front corners. If the ambient temperature rises, this equipment may not work effectively. This is not a system failure.</li> </ul> 

# Troubleshooting

## Odors

Symptom	Possible causes	Solution
Refrigerator has odors.	• Spoiled food.	• Clean the refrigerator and remove any spoiled food.
	• Food with strong odors.	• Make sure strong smelling food is wrapped airtight.

## Frost

Symptom	Possible causes	Solution
Frost around the vents.	• Food is blocking the vents.	• Make sure no food blocks the refrigerator vents.
Frost on interior walls.	• Door is not closed properly.	• Make sure food does not block the door. Clean the door gasket.
Fruits or vegetables are frozen.	• Fruits or vegetables are stored in the Fresh/Chef Zone.	• The Fresh/Chef Zone is only for meat/fish.

## Condensation

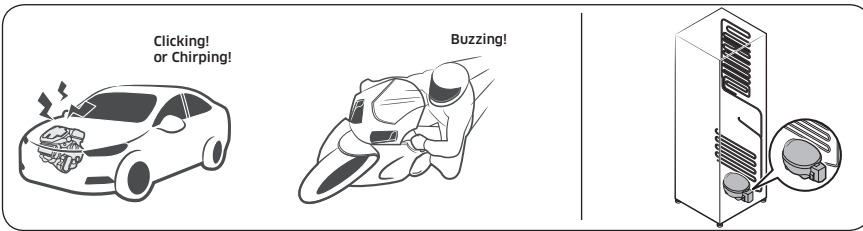
Symptom	Possible causes	Solution
Condensation forms on the interior walls.	• If door is left open, moisture enters the refrigerator.	• Remove the moisture and do not open the door for a long time.
	• Food with high moisture content.	• Make sure food is wrapped airtight.

## Do you hear abnormal sounds from the refrigerator?

Before calling for service, review the checkpoints below. Any service calls related to normal sounds will be charged to the user.

### These sounds are normal.

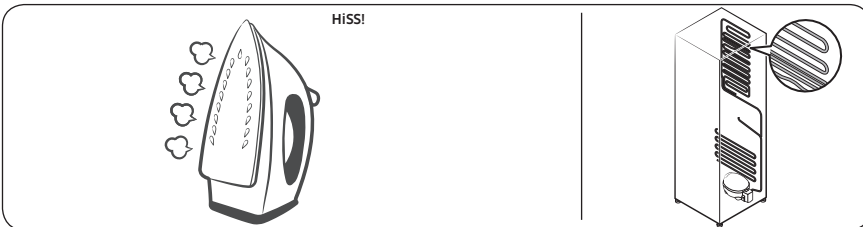
- When starting or ending an operation, the refrigerator may make sounds similar to a car engine igniting. As the operation stabilizes, the sounds will decrease.



- While the fan is operating, these sounds may occur. When the refrigerator reaches the set temperature, no fan sound will occur.

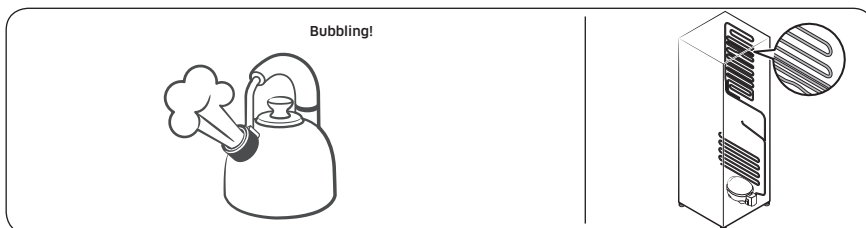


- During a defrost cycle, water may drip on the defrost heater, causing sizzling sounds.

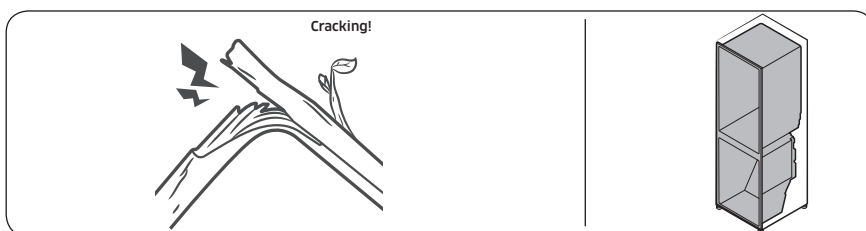


# Troubleshooting

- As the refrigerator cools or freezes, refrigerant gas moves through sealed pipes, causing bubbling sounds.



- As the refrigerator temperature increases or decreases, plastic parts contract and expand, creating knocking noises. These noises occur during the defrosting cycle or when electronic parts are working.



- For ice maker models: When the water valve opens to fill the ice maker, buzzing sounds may occur.
- Due to pressure equalizing when opening and closing the refrigerator door, whooshing sounds may occur.

## Samsung Smart Home (applicable models only)

Symptom	Action
Could not find "Samsung Smart Home" on the app market.	<ul style="list-style-type: none"><li>The Samsung Smart Home app is available on smartphones that run Android 4.0 (ICS) or higher, or iOS 8.0 or higher.</li></ul>
The Samsung Smart Home app fails to operate.	<ul style="list-style-type: none"><li>The Samsung Smart Home app is available on applicable models only.</li><li>The old Samsung Smart Refrigerator app cannot connect with Samsung Smart Home models.</li></ul>
The Samsung Smart Home app is installed but is not connected to my refrigerator.	<ul style="list-style-type: none"><li>You must log into your Samsung account to use the app.</li><li>Make sure that your router is operating normally.</li><li>If you have not connected your refrigerator to the Samsung Smart Home App after the app was installed, you must make connection using the device registration function of the app.</li></ul>
Could not log into the app.	<ul style="list-style-type: none"><li>You must log into your Samsung account to use the app.</li><li>If you don't have a Samsung account, follow the app's onscreen instructions to create one.</li></ul>
An error message appears when I try to register my refrigerator.	<ul style="list-style-type: none"><li>Easy Connection may fail due to the distance from your access point (AP) or electrical interference from the surrounding environment. Wait a moment and try again.</li></ul>
The Samsung Smart Home app is successfully connected to my refrigerator but does not run.	<ul style="list-style-type: none"><li>Exit and restart the Samsung Smart Home app, or disconnect and reconnect the router.</li><li>Unplug the power cord of the refrigerator, and then plug it in again after 1 minute.</li></ul>

## Contact SAMSUNG WORLD WIDE

If you have any questions or comments relating to Samsung products, please contact the SAMSUNG customer care center.

Country	Contact Center	Web Site
AUSTRIA	0800-SAMSUNG (0800-7267864) [Only for KNOX customers] 0800 400848 [Only for Premium HA] 0800-366661 [Only for Dealers] 0810-112233	<a href="http://www.samsung.com/at/support">www.samsung.com/at/support</a>
SWITZERLAND	0800 726 78 64 (0800-SAMSUNG)	<a href="http://www.samsung.com/ch/support">www.samsung.com/ch/support</a> (German) <a href="http://www.samsung.com/ch_fr/support">www.samsung.com/ch_fr/support</a> (French)



DA68-03592J-06