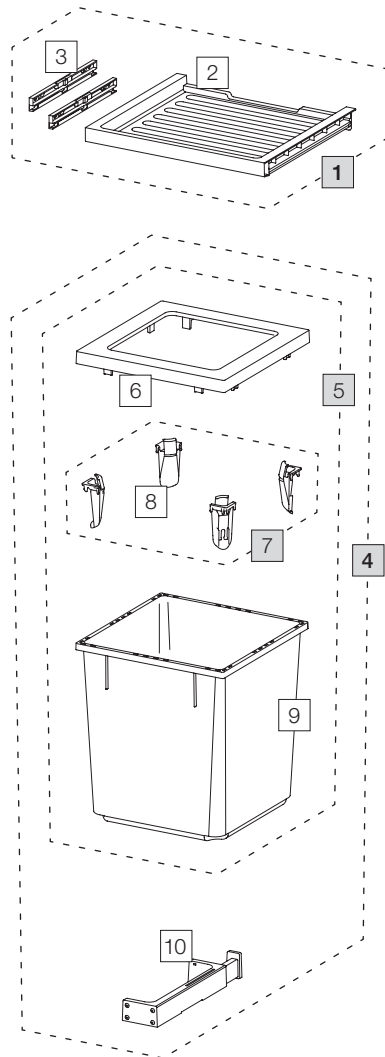


# X45 L35 Basic

Art. No. 80.50.101

Waste separation system for pre-existing rails



	Art. No.	Name	CHF VAT excluded
<b>1</b>	<b>80.41.101</b>	<b>Drawer 45 Basic</b>	<b>29.00</b>
2	12288	Drawer 45 Basic	24.70
3	13011	Adapter drawer (pair)	8.80
<b>4</b>	<b>80.51.101</b>	<b>Waste separation container X45 L35</b>	<b>122.00</b>
5	12682	Container 40 liter, complet	83.90
6	12247	Covering frame	17.40
7	12252	Bag tightener (4 pcs.)	16.40
8	12721	Bag tightener	4.10
9	12244	Container 40 liter	52.40
10	12625	Ratsche C, complet	39.20

Set

Component parts