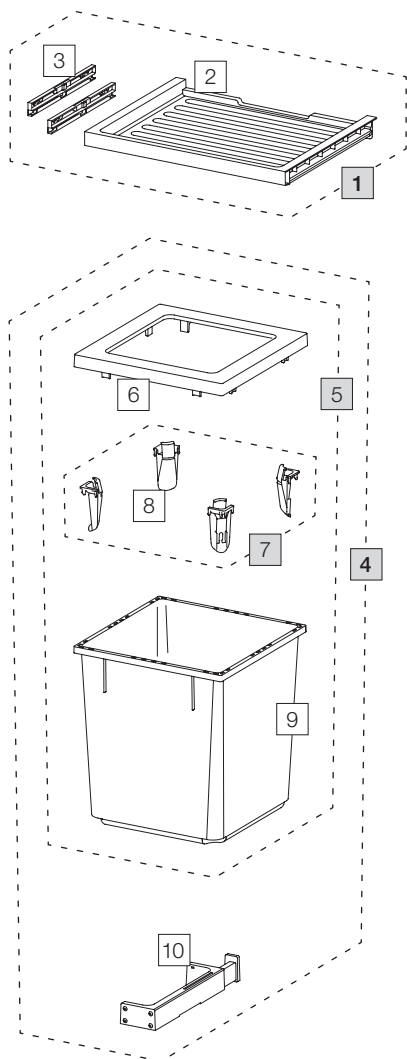


X50 L35 Basic

Art. No. 80.50.201

Waste separation system for pre-existing rails



	Art. No.	Name	CHF VAT excluded
1	80.41.201	Drawer 50 Basic	29.00
2	12287	Drawer 50 Basic	24.70
3	13011	Adapter drawer (pair)	8.80
4	80.51.101	Waste separation container X45 L35	122.00
5	12682	Container 40 liter, complet	83.90
6	12247	Covering frame	17.40
7	12252	Bag tightener (4 pcs.)	16.40
8	12721	Bag tightener	4.10
9	12244	Container 40 liter	52.40
10	12625	Ratsche C, complet	39.20

- Set
- Component parts