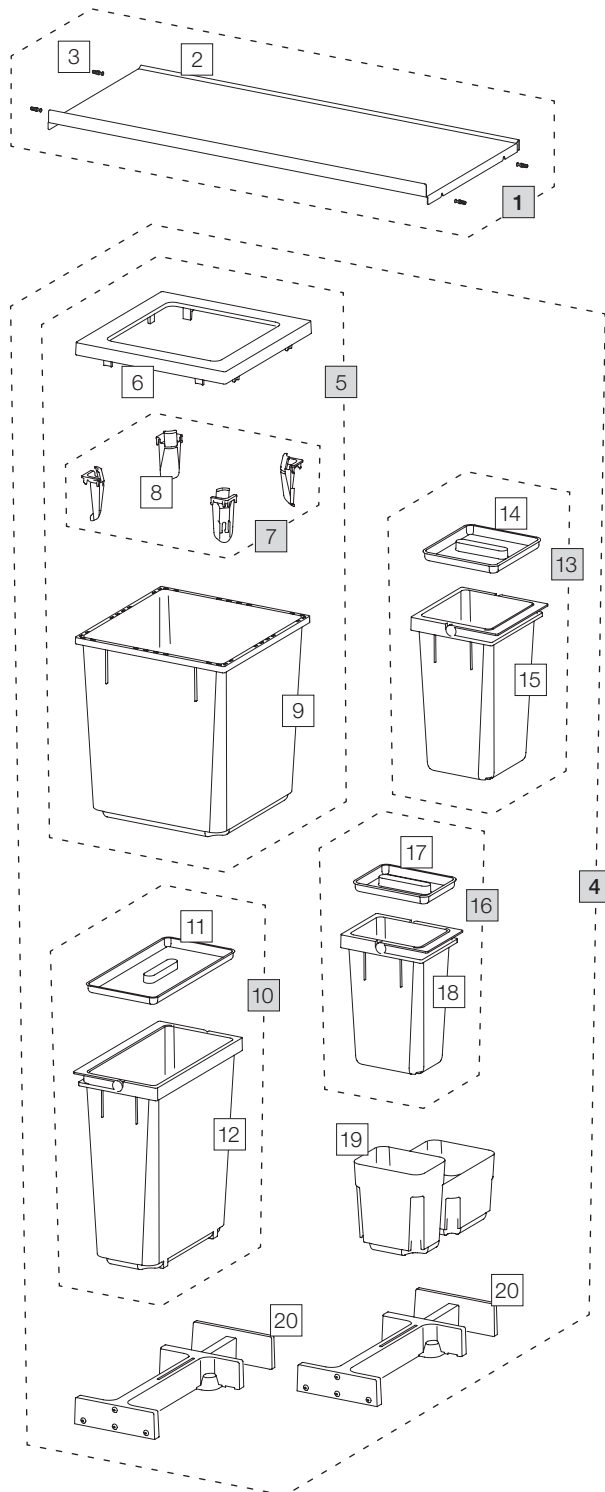


# X90 L6 Basic

Art. No. 80.50.601

Waste separation system for pre-existing rails



| Art. No. | Name   | CHF VAT excluded |
|----------|--|------------------|
| <b>1</b> | <b>80.41.601 Lid 90 Basic</b>                      | <b>62.00</b>     |
| 2        | 12292 Lid 90 Basic                                 | 59.80            |
| 3        | 12881 Connecting bolt (4 pcs.)                     | 3.90             |
| <b>4</b> | <b>80.51.501 Waste separation container X80 L6</b> | <b>219.00</b>    |
| 5        | 12682 Container 40 liter, complet                  | 83.90            |
| 6        | 12247 Covering frame                               | 17.40            |
| 7        | 12252 Bag tightener (4 pcs.)                       | 16.40            |
| 8        | 12721 Bag tightener                                | 4.10             |
| 9        | 12244 Container 40 liter                           | 52.40            |
| 10       | 12943 Container 18 liter, complet                  | 40.40            |
| 11       | 12387 Lid 18 liter                                 | 8.10             |
| 12       | 12452 Container 18 liter with handle               | 32.30            |
| 13       | 12940 Container 8 liter, complet                   | 27.10            |
| 14       | 12271 Lid 8 liter                                  | 5.90             |
| 15       | 12440 Container 8 liter with handle                | 21.20            |
| 16       | 12941 Container 5 liter, complet                   | 22.60            |
| 17       | 12272 Lid 5 liter                                  | 4.20             |
| 18       | 12441 Container 5 liter with handle                | 18.40            |
| 19       | 12254 Shell 600, L                                 | 19.80            |
| 20       | 12625 Ratchet, complet                             | 39.80            |

- Set
- Component parts