

Brooklyn BYK N 100L U

[> Web link](#)



Fitting style
Undermount bowls

Model
BYK N 100L U

Material
Cristalite Plus

Article no.
10.103.298.00

Cabinet size
60 cm

Basket
3½" Space-saving

Color
Nero

Price CHF
938.- excl. VAT

Dimensions
500x400x200mm

Basket pre-assembly
without valve assembly

Dispenser - mounting option
Free choice of positioning

Standard pull-up knob



Prime

Prices (as of 20.06.26/excl. VAT)

Model	Material	Basket	Article no.	Price CHF	
Brooklyn BYK N 100L U	Cristalite Plus, Nero	3½" Space-saving	10.105.324.00	978.-	> Weblink
		3½" strainer basket	10.105.325.00	937.-	> Weblink
		3½" Space-saving	10.103.298.00	938.-	> Weblink
		3½" strainer basket	10.104.320.00	897.-	> Weblink

Product description

Material

Granite sinks Cristalite Plus: Schock sinks are composed of approx. 80 % quartz, the hardest component of granite. The quartz is bound by the highest quality of acrylic. The composition of acrylic and quartz makes the sinks extremely resistant against scratches and dirt and is responsible for their longevity.

Color identification Schock: Nero

Accessory

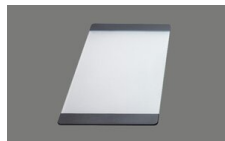
Optional accessories



[> Weblink](#)
40.000.912.00 / CHF
106.-
Colander, perforated



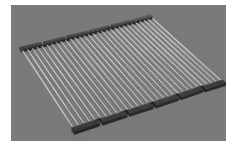
[> Weblink](#)
40.001.289.00 / CHF
106.-
Colander, unperforated



[> Weblink](#)
40.000.909.00 / CHF
151.-
Chopping board, made of
glass, white



[> Weblink](#)
40.001.277.00 / CHF
151.-
Chopping board, made of
plastic



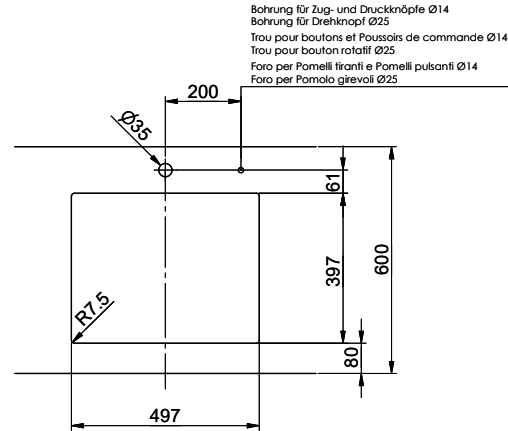
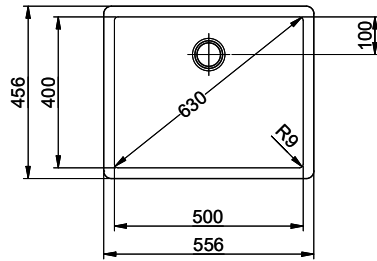
[> Weblink](#)
40.001.138.00 / CHF
125.-
Inox Pad

Spares

You can find the compatible range of spares here [> Weblink](#)

Brooklyn BYK N 100L U

Masse / Ausschnittkontur
 Dimensions / contour de découpe
 Dimensioni / contorno dell'apertura



Bohrung für Zug- und Druckknöpfe Ø14
 Bohrung für Drehknopf Ø25
 Trou pour boutons et Pousoirs de commande Ø14
 Trou pour bouton rotatif Ø25
 Foro per Pomelli Istanti e Pomelli pulsanti Ø14
 Foro per Pomolo girevoli Ø25

