

Samsung BO30 Dual Door Oven (Dual Cook Flex)

[> Web link](#)

Model
Samsung BO30 Dual Door Oven (Dual Cook Flex)

Energy efficiency class
A+

Manufacturer ID
NV75N5641RS/EU

Article no.
500.000.002.00

Appliance type
Ovens

Construction
Euro Norm 60 cm

VRG
10.00

Price CHF
770.- excl. VAT

Highlights

- 75 L cooking capacity - exceptionally spacious
- 50 automatic programs
- Dual Cook - cooking two different dishes at the same time
- Dual Door Flex™ - baking with more flexibility
- Self-cleaning: catalysis and steam
- Cooking chamber with ceramic enamel: scratch-proof, anti-bacterial
- Easy to operate: retractable knob and sensor buttons

Product description

Construction: **Euro-Norm 60 cm**
GTIN-Nr.: **8801643182748**

Efficiency and consumption

Energy efficiency class (from A+++ to D): **A+**
Energy efficiency index: **81,6**

Energy consumption

Energy consumption, conventional (kWh / cycle): **1,05 kWh**
Energy consumption, convection / hot air (kWh / cycle): **0,71 kWh**
Standby consumption: **0,9 W**
Consumption pyrolytic cleaning process (kWh / cycle): -

Design

Color control panel: **Silver**
Material control panel: **Stainless Steel**
Frame / material: **Yes / stainless steel**

Display and operation

Display: **Digital display**
Display and lighting: **LED, ice blue**
Operation: **Retractable knob, sensor buttons, Dual Door Flex™**

Interconnection of household appliances

Samsung Smart Home: -

Performance properties

max. adjustable temperature for top / bottom heat, convection / hot air: **275°C**
Temperature for steam operation:--
Microwave power output -
Useable grilling space: **1912 cm2**
Useable oven capacity: **75 L**

Dimensions

Height: **59.5 cm**
Width: **59 cm**
Depth: **54.9 cm**
Depth (from front of unit): **56.6 cm**
Depth with open door (in front of unit): **49.4 cm**
Unit dimensions (H x W x D) : **595 x 590 x 549 mm**

Empty weight

Unit weight: **45,2 kg**

Fittings

Inside dimensions (useable size) mm (height / width / depth): **375 x 465 x 397 mm**
Top and bottom heat: **Yes / Yes**
Convection: -
Hot air:

Samsung BO30 Dual Door Oven (Dual Cook Flex)[> Web link](#)**Yes**

Steam:-
 Microwave: -
 Catalytic cleaning aid : **Yes**
 Pyrolytic cleaning aid : -
 Grill heating element available / retrofittable: **Yes / -**
 Grill motor / convection grilling: -
 Timer switch / timer: **Yes**
 Drawer / warming drawer: - / **optional**
 Number of cooking chambers: **3**
 Volume per cooking chamber
 Single-chamber operation / top cooking chamber / bottom cooking chamber: **75 L / 34 L / 32 L**
 Number of shelf levels: **5**
 Lighting / inspection window: **Yes / Yes**
 Lighting : **2 x 40W, halogen**
 Telescope rails: **Single**
 Cleaning: **Catalysis, steam cleaning**
 Cooling process: **Cooling ventilator**
 Interior lining: **Ceramic enamel**

Operating modes

Steam: -
 Steam + heating: -
 Steam + hot air: -
 Steam + top heat + hot air:-
 Steam + bottom heat + hot air: -
 Top / bottom heat: **30-250°C**
 Hot air: **30-250°C**
 Hot air ECO: **30-250°C**
 Grill: large / eco / convection: **100-270°C / 100-270°C / -**
 Bottom heat + hot air: **40-250°C**
 Top heat + hot air: **40-250°C**
 Bottom heat : **100-230°C**
 Fast cooking: -
 Automatic roasting (ProRoasting): **80-200°C**
 Microwave + grill: -
 Microwave + hot air: -

Programs

Special functions: **Keeping food warm, pre-warming plates, fast pre-heating**
 Automatic programs: **50**
 Dual Cook: **Yes**

Control functions

Control functions: **Time, kitchen timer, child safety, cooking timer, end time, delayed start, signal tone**

Capacity

Total capacity: **3650-3950 W**
 Hot air : **1200 W**
 Top heat : **1600 / 1100 W**
 Bottom heat : **1100 W**
 Grill max. / min.: **1600 / 1100 W**
 Large-sized grill: **1600 W**
 Steam:-
 Microwave:-

Electrical connection

Supply voltage g: **230 V**
 Frequency : **50 Hz**
 Connection values: **3.65-3.95 kWh**
 Fuse protection: **16 A**
 Length power connection: - / **The connector cable must be provided by the customer**
 Power plug: - / **Direct connection**

Technical data

Standard width: **Euro-Norm 60 cm**
 Standard height: **Euro-Norm 60 cm**
 Niche height: **590 mm - 600 mm**
 Niche width: **min. 560 mm**
 Niche depth: **min. 550 mm**
 Niche dimensions (H x W x D): **min. 590-600 x 560 x 550 mm**
 Unit width in mm : **590 mm**
 Unit height in mm: **595 mm**
 Unit depth in mm: **549 mm**

Packaging

Weight, incl. packaging: **47,8 kg**
 Packaging dimensions (H x W x D): **656 x 682 x 646 mm**

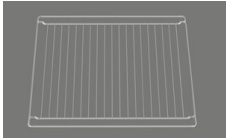
Samsung BO30 Dual Door Oven (Dual Cook Flex) > Web link

Accessory

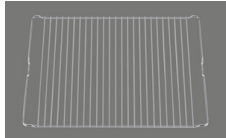
Included accessories



> Weblink
500.000.046.00 / CHF
770.-
Cooking chamber divider



> Weblink
500.000.042.00 / CHF
770.-
Grid



> Weblink
500.000.045.00 / CHF
770.-
Grid insert

Optional accessories



> Weblink
500.000.040.00 / CHF
88.-
Extra deep baking sheet
50 mm



> Weblink
500.000.074.00 / CHF
60.-
Set of support brackets

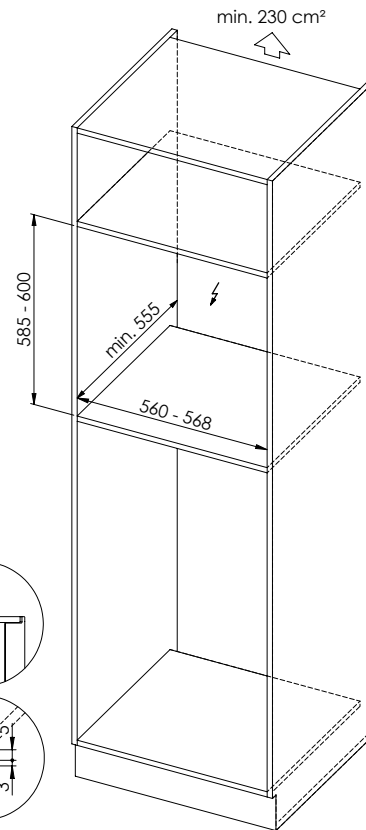
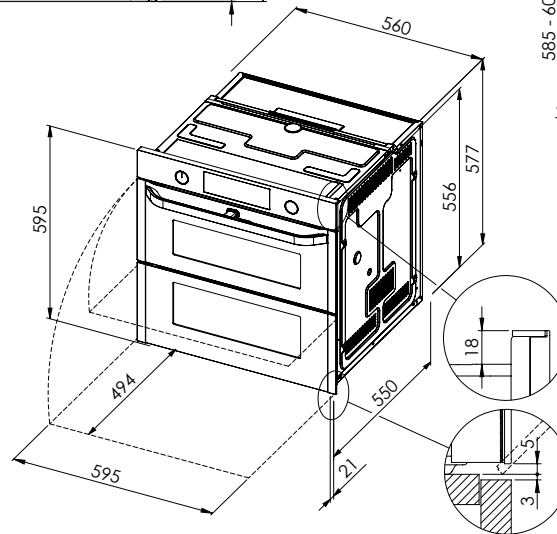
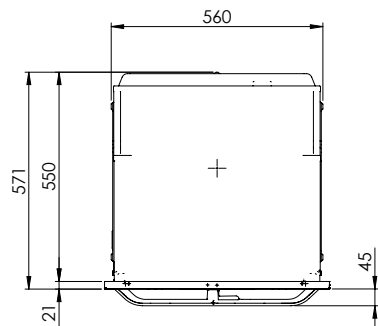
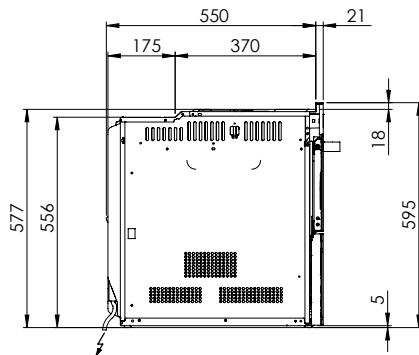
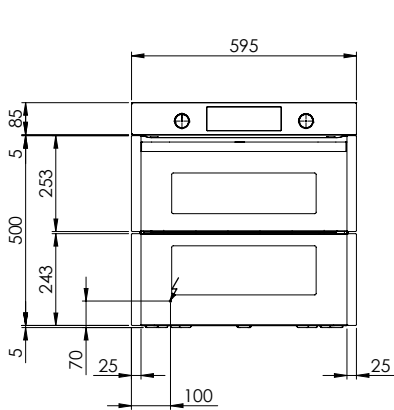
Compatible Articles



> Weblink
500.000.009.00 / CHF
350.-
Drawer WS10/20/30/50



> Weblink
500.000.006.00 / CHF
520.-
Samsung Compact Oven
with Microwave BM30/50

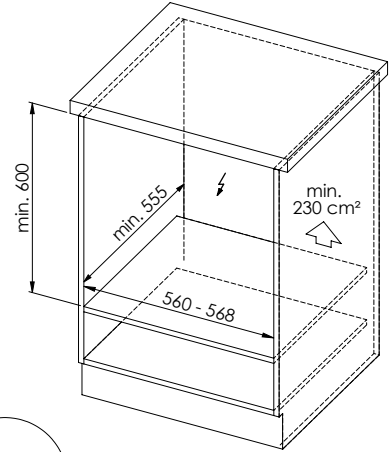
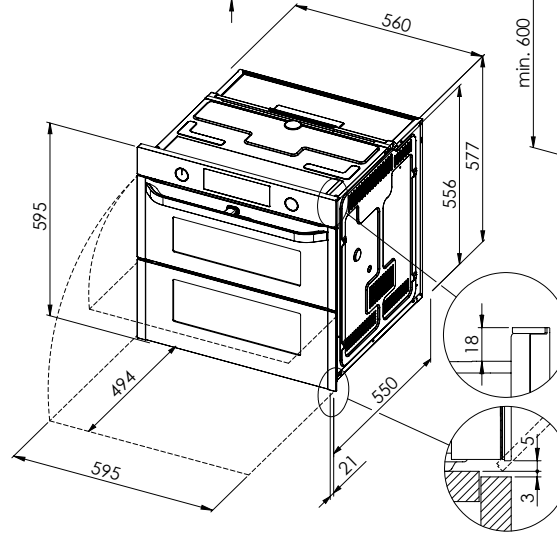
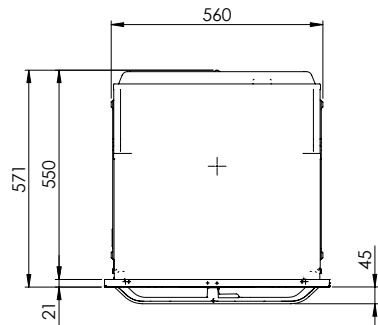
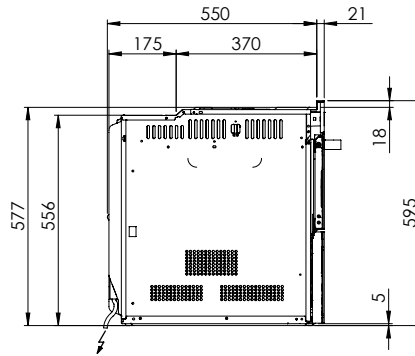
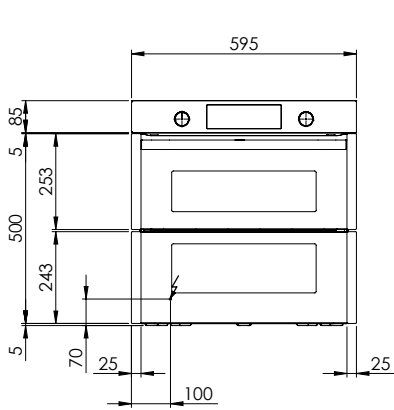


 BO30: 230 V / 16 A, Direktanschluss / Raccordement électrique / Rollegamento elettrico¹

¹Anschlusskabel baauseits

Câble de raccordement fourni par le client

Cavo di collegamento fornito da parte cliente



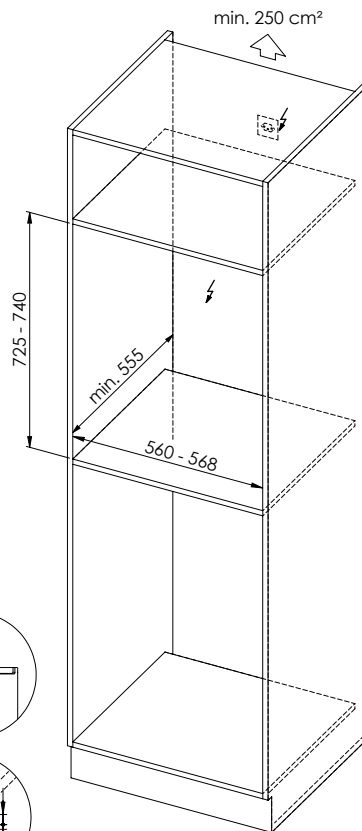
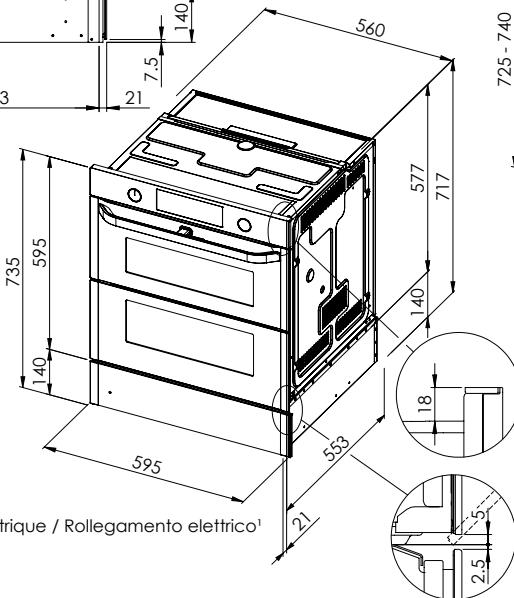
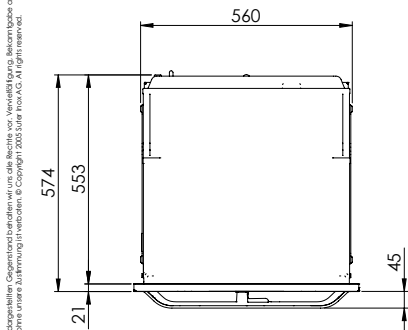
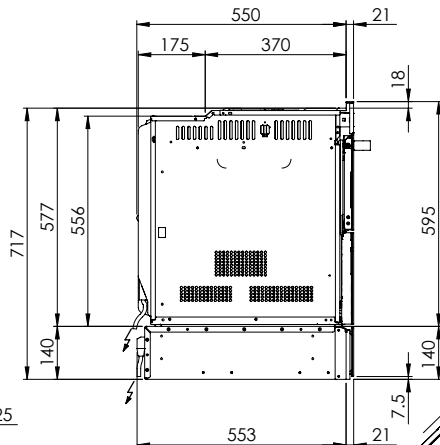
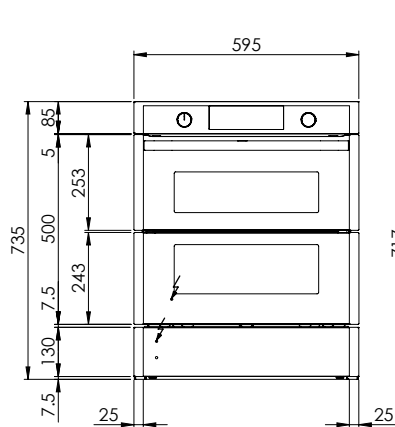
 BO30: 230 V / 16 A, Direktschluss / Raccordement électrique / Rollegamento elettrico¹

¹Anschlusskabel bauseits

Câble de raccordement fourni par le client

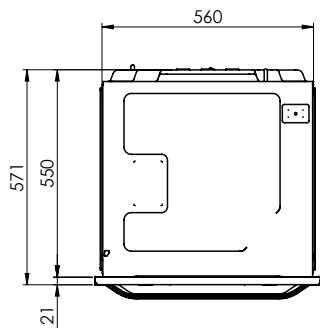
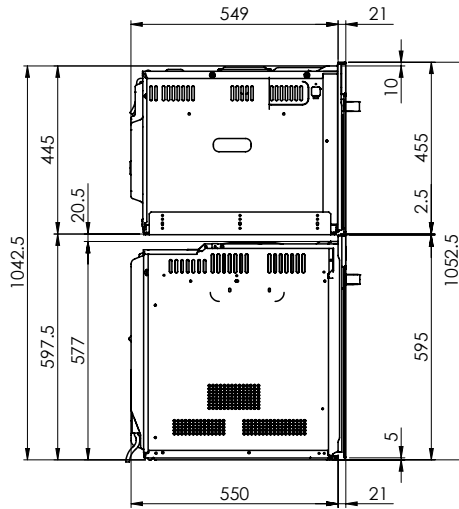
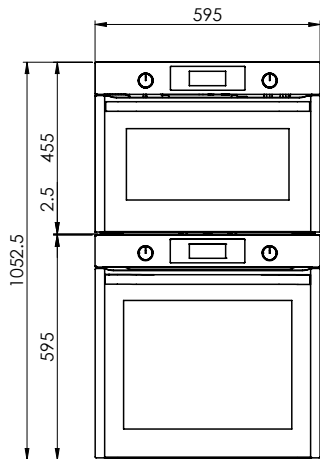
Cavo di collegamento fornito da parte cliente

Samsung BO30 & WS10/20/30/50



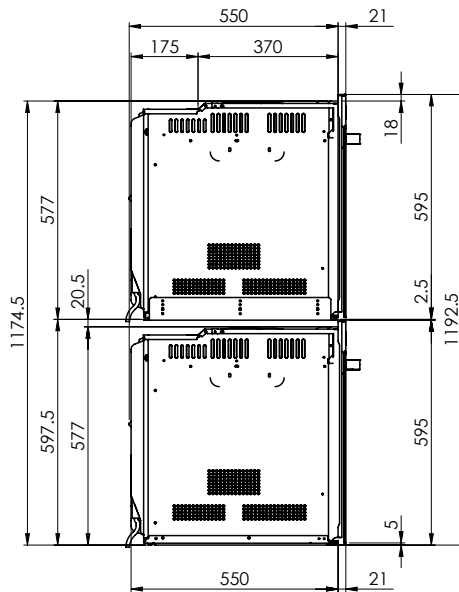
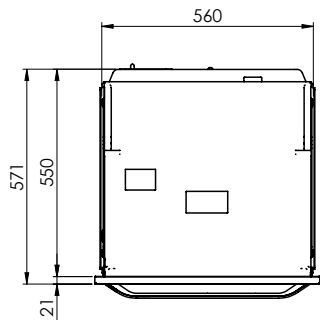
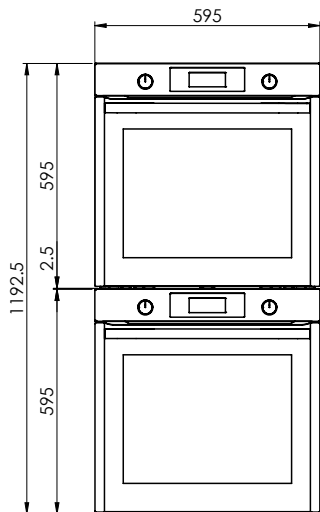
BO30: 230 V / 16 A, Direktanschluss / Raccordement électrique / Rollegamento elettrico¹
 WS10/20/30/50: 230 V / 10 A, T12, 1500 mm

¹Anschlusskabel bauseits
 Câble de raccordement fourni par le client
 Cavo di collegamento fornito da parte cliente

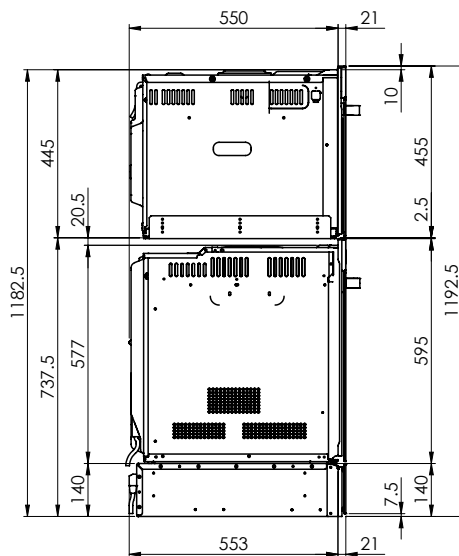
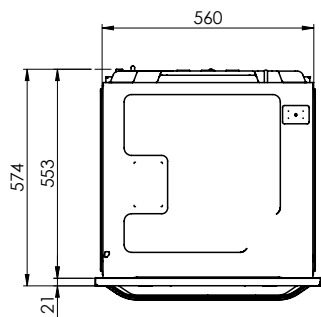
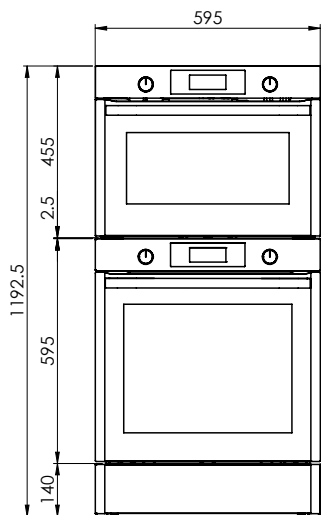


Bei Mehrgerätemontage übereinander: Berücksichtigen Sie bei der Planung der Elektroanschlüsse die jeweiligen Gerätespezifikationen.
 Montage de plusieurs appareils l'un sur l'autre: veuillez tenir compte des spécifications de chaque appareil lors de la planification des raccordements électriques.
 Montaggio in colonna di più apparecchi: nella pianificazione degli allacciamenti elettrici, attenersi alle specifiche dei rispettivi apparecchi.

Es ist das Nachwendrecht vorbehalten, dieses Diagramm, Gegenstandsbezeichnungen und alle Rechte vor, Nach und Nebenrecht, Marken, Patente, Copyrights oder Verwendungen ohne unsere Zustimmung zu verbreiten. © Copyright 2003 Suter Inox AG. All rights reserved.

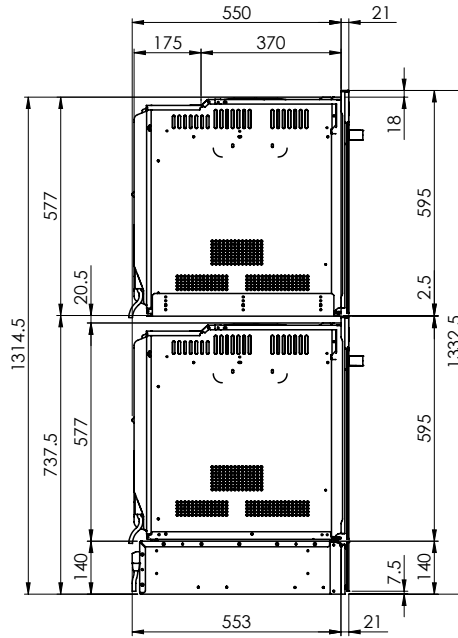
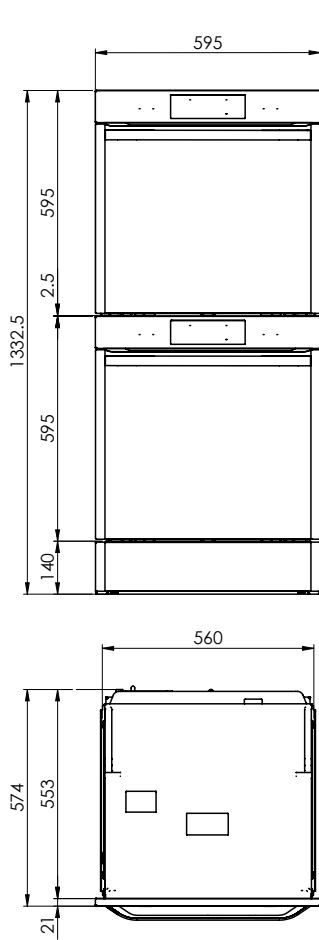


Bei Mehrgerätemontage übereinander: Berücksichtigen Sie bei der Planung der Elektroanschlüsse die jeweiligen Gerätespezifikationen.
 Montage de plusieurs appareils l'un sur l'autre: veuillez tenir compte des spécifications de chaque appareil lors de la planification des raccordements électriques.
 Montaggio in colonna di più apparecchi: nella pianificazione degli allacciamenti elettrici, attenersi alle specifiche dei rispettivi apparecchi.



Bei Mehrgerätemontage übereinander: Berücksichtigen Sie bei der Planung der Elektroanschlüsse die jeweiligen Gerätespezifikationen.
 Montage de plusieurs appareils l'un sur l'autre: veuillez tenir compte des spécifications de chaque appareil lors de la planification des raccordements électriques.
 Montaggio in colonna di più apparecchi: nella pianificazione degli allacciamenti elettrici, attenersi alle specifiche dei rispettivi apparecchi.

Samsung WS & BO & BO



Bei Mehrgerätemontage übereinander: Berücksichtigen Sie bei der Planung der Elektroanschlüsse die jeweiligen Gerätespezifikationen.
 Montage de plusieurs appareils l'un sur l'autre: veuillez tenir compte des spécifications de chaque appareil lors de la planification des raccordements électriques.
 Montaggio in colonna di più apparecchi: nella pianificazione degli allacciamenti elettrici, attenersi alle specifiche dei rispettivi apparecchi.

