

## Samsung Built-in refrigerator &amp; freezer combination EKG260 (left)

[> Web link](#)

**Model**  
Samsung Built-in refrigerator & freezer combination  
EKG260 (left)

**Energy efficiency class**  
D (New Label 03.21)

**Manufacturer ID**  
BRB38G705DWWEF

**Article no.**  
500.000.200.00

**Door hinge**  
Left

**Construction**  
Euro Norm 75 cm (sliding door system)

**VRG**  
26.00

**Price CHF**  
2'485.- excl. VAT

## Highlights

- XL refrigerator & freezer combination - 193,5 cm high, 69,0 cm wide
- 389 litre useable capacity
- 1 Fresh Box drawer / 4 glass shelves
- Digital Inverter compressor - 10-year warranty
- 1 Optimal Fresh+ drawer
- NoFrost+ technology in refrigerator and freezer - the end of de-icing
- Twin Cooling Plus - two separate cooling circuits, ideal air humidity
- Metal Cooling - to prevent cold air from escaping
- Precise Cooling - for maximum temperature accuracy
- Cool Select Plus - flexible refrigerator and freezer
- All Around Cooling - consistent temperature in the cooling chamber
- Power Cool / Power Freeze - particularly fast cooling / freezing

## Product description

## Samsung Built-in Refrigerator and Freezer EKG260

Construction: **Euro Norm 75 cm (sliding door system)**  
GTIN-Nr.: **8806095458144**

## Model classification

Energy efficiency class (from A to G): **D**  
Efficiency index: **80**  
Energy consumption per year: **206 kWh**

## Design

Colour/material: **White**  
Door handles: -

## Display and operation

Display: **Digital display**  
Display and lighting: **LED, white**  
Operation: **Touch LCD**

## Interconnection of household appliances

Samsung Smart Home: **WiFi Smart Things**

## Performance properties

Total useable capacity: **389 L**  
Useable capacity refrigerator: **289 L**  
Usable cold storage compartment capacity: -  
Useful capacity cellar compartment: -  
Useable capacity freezer: **100 L**  
Frost-free fridge / freezer compartment (No Frost): **Yes / Yes**

## Power output

Freezing capacity: **8 kg in 24 hours**  
Storage time in case of outage: **12 hours**  
Sound power level: **35 dB(A)**  
Airborne sound emission class (A to D): **B**  
Climate class: **SN-T**  
Ambient temperature (min. > max.): **from +10°C to +43°C**  
Type of light source | Energy efficiency class A to G: **LED | G**

## Construction and identification

Stand-alone unit: -  
Built-in unit: **Yes (Euro)**  
Undermount unit: -

**Samsung Built-in refrigerator & freezer combination EKG260 (left)**[> Web link](#)

-

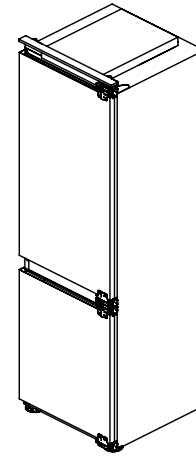
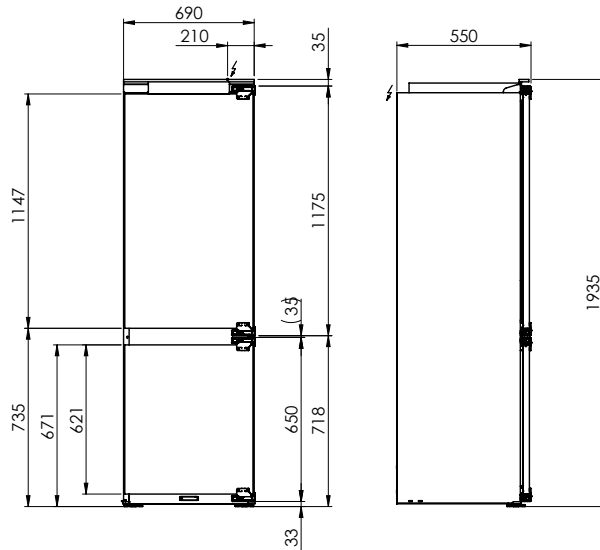
Integral: **Yes**Number of outside doors/pull-outs: **2/-**Door hinge: **Left****Dimensions**Height: **193,5 cm**Width: **69,0 cm**Depth: **55,0 cm**Width with open door/pull-out: **74,9 cm**Depth with open door/pull-out: **120,4 cm**Dimensions of unit (H x W x D): **193,5 x 69,0 x 55,0 cm****Empty weight**Empty weight of the unit: **92 kg****Fittings**Operation Temperature setting: **Touch LCD**Temperature display refrigerator: **Inside**Temperature display freezer compartment: **Inside****Adjustable freezer temperature**Independent of refrigerator temperature: **Yes**Together with refrigerator temperature: **-**Quick freeze switch with automatic reset: **Yes**Warning signal / freezer compartment fault: **Visual / acoustic**Door open: **Warning signal, acoustic****Refrigerator features**Number of glass shelves (shelves): **4**Number of door compartments (and/or containers): **5**Number of vegetable drawers (containers): **2**Wine compartment: **No / -**Egg trays: **-****Freezer compartment features**Number of compartments: **1**Number of baskets, containers, drawers: **2**Ice cube trays: **Yes****Further equipment features**Water and ice cube dispenser in door: **-**ClearView ice maker: **-**Water filter: **-**Fresh Zone compartments: **2**Pull-out shelf: **1**Water connection: **-****Cooling technology**Digital inverter compressor: **Yes**NoFrost+ technology: **Yes**Power Cool / Power Freeze: **Yes / Yes**All Around Cooling (multi-Flow): **Yes**Metal Cooling: **Yes**Smart Conversion 5-in-1: **-**Cool Select Plus: **Yes**Mono Cooling / Twin Cooling / Triple Cooling: **No / Yes / No**Precise Cooling: **Yes**Flex Zone: **-**Refrigerant: **R-600a****Power supply****Electrical connection**Supply voltage: **230 V / 50 Hz**

Connection values:

**Samsung Built-in refrigerator & freezer combination EKG260 (left)**[> Web link](#)**125 W(220V) | 145 W(230-240V)**Fuse protection: **2.5 A**Length power connection: **2.5 m**Power plug: **Schuko plug****Water connection**

Water connection: -

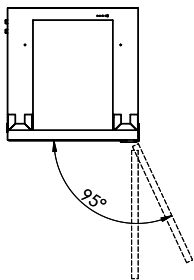
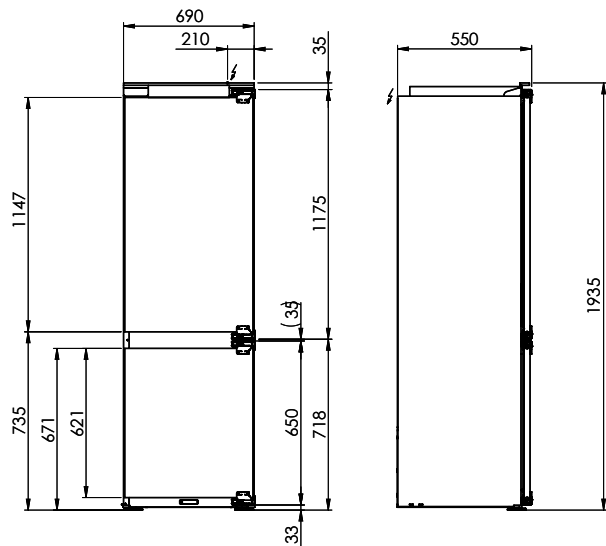
**Technical data**Max. door front weight refrigerator/freezer: **23 kg / 15,5 kg**Assembly technology: **Sliding door system**Unit height: **1935 mm**Unit width: **690 mm**Unit depth: **550 mm****Packaging**Weight, incl. packaging: **95 kg**Packaging dimensions (H x W x D): **2024 x 750 x 629 mm**



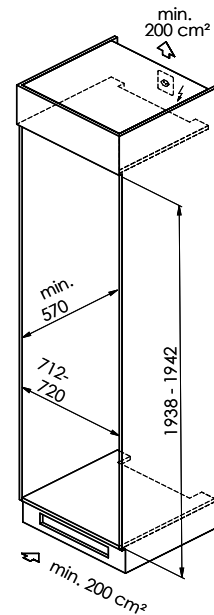
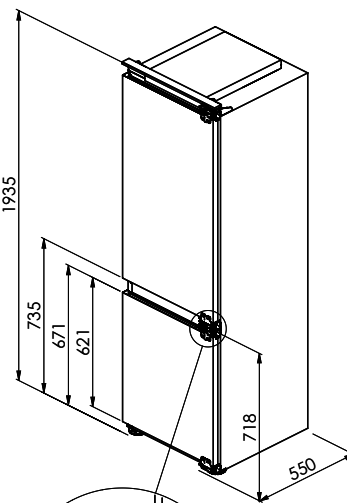
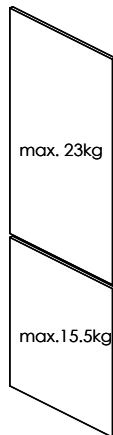
Die dargestellten Ansichten sind oder werden als separate Gegenstände betrachtet, wie zum Beispiel Zeichnungen, Modelle, Skizzen, Bekendmachungen, Briefe oder Verwendungen dieser Marke, ohne unsere Zustimmung zu werden. © Copyright 2003 Suter Inox AG. All rights reserved.



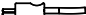
EKG260: 230 V / 10 A, T12, 2500 mm



Mit Schlepptüren



Die elektr. Dokumente in diesem oder dementsprechenden Gegenstandsbereich, wie urteile, Rechte von, Verweilungsrechte, Bekendnisse an, Briefe oder Verwendungen seiner macht, ohne unsere Zustimmung ist verboten. © Copyright 2023 Suter inox AG. All rights reserved.

 EKG260: 230 V / 10 A, T12, 2500 mm