

Samsung Built-in refrigerator & freezer combination EKG260 (right)

[> Web link](#)

Model
Samsung Built-in refrigerator & freezer combination
EKG260 (right)

Energy efficiency class
D (New Label 03.21)

Manufacturer ID
BRB38G705DWWWF

Article no.
500.000.201.00

Door hinge
Right

Construction
Euro Norm 75 cm (sliding door system)

VRG
26.00

Price CHF
2'485.- excl. VAT

Highlights

- XL refrigerator & freezer combination - 193,5 cm high, 69,0 cm wide
- 389 litre useable capacity
- 1 Fresh Box drawer / 4 glass shelves
- Digital Inverter compressor - 10-year warranty
- 1 Optimal Fresh+ drawer
- NoFrost+ technology in refrigerator and freezer - the end of de-icing
- Twin Cooling Plus - two separate cooling circuits, ideal air humidity
- Metal Cooling - to prevent cold air from escaping
- Precise Cooling - for maximum temperature accuracy
- Cool Select Plus - flexible refrigerator and freezer
- All Around Cooling - consistent temperature in the cooling chamber
- Power Cool / Power Freeze - particularly fast cooling / freezing

Product description

Samsung Built-in Refrigerator and Freezer EKG260

Construction: **Euro Norm 75 cm (sliding door system)**
GTIN-Nr.: **8806095458144**

Model classification

Energy efficiency class (from A to G): **D**
Efficiency index: **80**
Energy consumption per year: **206 kWh**

Design

Colour/material: **White**
Door handles: -

Display and operation

Display: **Digital display**
Display and lighting: **LED, white**
Operation: **Touch LCD**

Interconnection of household appliances

Samsung Smart Home: **WiFi Smart Things**

Performance properties

Total useable capacity: **389 L**
Useable capacity refrigerator: **289 L**
Usable cold storage compartment capacity: -
Useful capacity cellar compartment: -
Useable capacity freezer: **100 L**
Frost-free fridge / freezer compartment (No Frost): **Yes / Yes**

Power output

Freezing capacity: **8 kg in 24 hours**
Storage time in case of outage: **12 hours**
Sound power level: **35 dB(A)**
Airborne sound emission class (A to D): **B**
Climate class: **SN-T**
Ambient temperature (min. > max.): **from +10°C to +43°C**
Type of light source | Energy efficiency class A to G: **LED | G**

Construction and identification

Stand-alone unit: -
Built-in unit: **Yes (Euro)**
Undermount unit: -

Samsung Built-in refrigerator & freezer combination EKG260 (right)[> Web link](#)

-

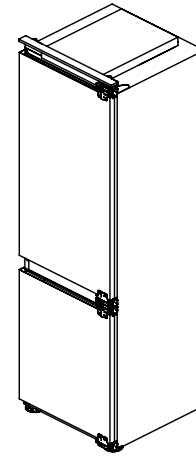
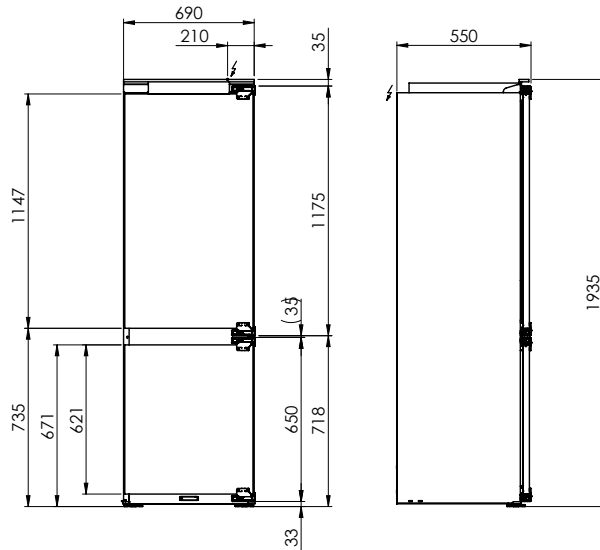
Integral: **Yes**Number of outside doors/pull-outs: **2/-**Door hinge: **Right****Dimensions**Height: **193,5 cm**Width: **69,0 cm**Depth: **55,0 cm**Width with open door/pull-out: **74,9 cm**Depth with open door/pull-out: **120,4 cm**Dimensions of unit (H x W x D): **193,5 x 69,0 x 55,0 cm****Empty weight**Empty weight of the unit: **92 kg****Fittings**Operation Temperature setting: **Touch LCD**Temperature display refrigerator: **Inside**Temperature display freezer compartment: **Inside****Adjustable freezer temperature**Independent of refrigerator temperature: **Yes**Together with refrigerator temperature: **-**Quick freeze switch with automatic reset: **Yes**Warning signal / freezer compartment fault: **Visual / acoustic**Door open: **Warning signal, acoustic****Refrigerator features**Number of glass shelves (shelves): **4**Number of door compartments (and/or containers): **5**Number of vegetable drawers (containers): **2**Wine compartment: **No / -**Egg trays: **-****Freezer compartment features**Number of compartments: **1**Number of baskets, containers, drawers: **2**Ice cube trays: **Yes****Further equipment features**Water and ice cube dispenser in door: **-**ClearView ice maker: **-**Water filter: **-**Fresh Zone compartments: **2**Pull-out shelf: **1**Water connection: **-****Cooling technology**Digital inverter compressor: **Yes**NoFrost+ technology: **Yes**Power Cool / Power Freeze: **Yes / Yes**All Around Cooling (multi-Flow): **Yes**Metal Cooling: **Yes**Smart Conversion 5-in-1: **-**Cool Select Plus: **Yes**Mono Cooling / Twin Cooling / Triple Cooling: **No / Yes / No**Precise Cooling: **Yes**Flex Zone: **-**Refrigerant: **R-600a****Power supply****Electrical connection**Supply voltage: **230 V / 50 Hz**

Connection values:

Samsung Built-in refrigerator & freezer combination EKG260 (right)[> Web link](#)**125 W(220V) | 145 W(230-240V)**Fuse protection: **2.5 A**Length power connection: **2.5 m**Power plug: **Schuko plug****Water connection**

Water connection: -

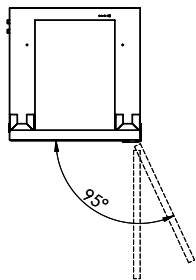
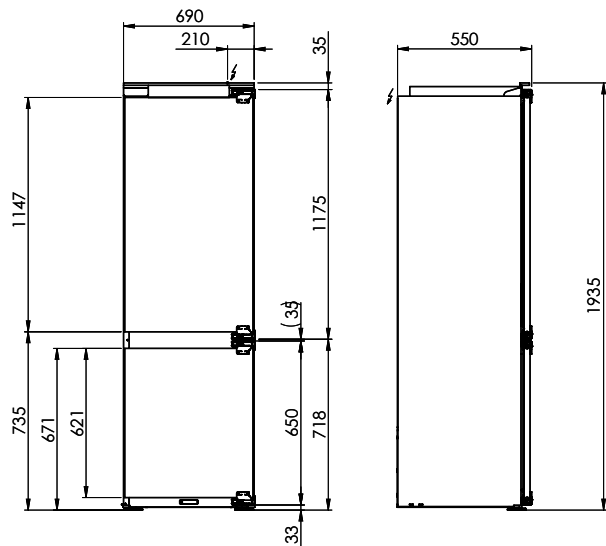
Technical dataMax. door front weight refrigerator/freezer: **23 kg / 15,5 kg**Assembly technology: **Sliding door system**Unit height: **1935 mm**Unit width: **690 mm**Unit depth: **550 mm****Packaging**Weight, incl. packaging: **95 kg**Packaging dimensions (H x W x D): **2024 x 750 x 629 mm**



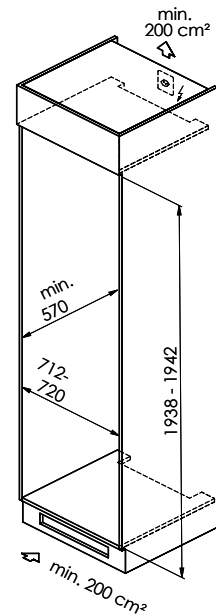
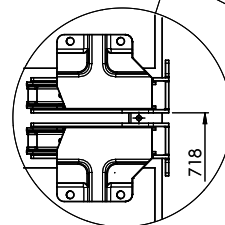
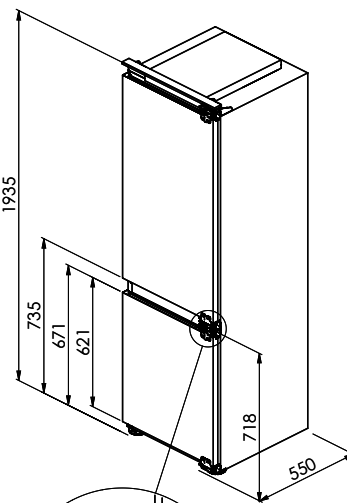
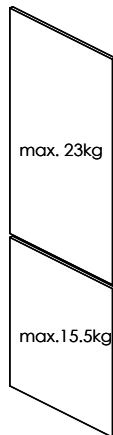
Die dieses Dokument zu lesen oder dessen Inhalt zu verwenden, ist ohne schriftliche Genehmigung von Suter Inox AG. All rights reserved.
 Bitte lesen Sie die Bedienungsanleitung des Produktes vor der Verwendung. Ohne schriftliche Genehmigung ist die Weitergabe dieses Dokuments an Dritte untersagt.



EKG260: 230 V / 10 A, T12, 2500 mm



Mit Schlepptüren



Die elektr. Dokumente in diesem oder dementsprechenden Gegenstandsbereich, wie urteile, Rechte von, Verweilungsrechte, Bekendnisse an, Briefe oder Verwendungen seiner macht, ohne unsere Zustimmung ist verboten. © Copyright 2023 Suter inox AG. All rights reserved.

EKG260: 230 V / 10 A, T12, 2500 mm