

## Brooklyn BYK N 100L U

[> Web link](#)


**Fitting style**  
Undermount bowls

**Model**  
BYK N 100L U

**Material**  
Cristalite Plus

**Article no.**  
10.104.320.00

**Cabinet size**  
60 cm

**Basket**  
3½" strainer basket

**Color**  
Nero

**Price CHF**  
897.- excl. VAT

**Dimensions**  
500x400x200mm

**Basket pre-assembly**  
without valve assembly

**Standard pull-up knob**

### Dispenser - mounting option

Prices (as of 20.06.26/excl. VAT)

Model	Material	Basket	Article no.	Price CHF	
Brooklyn BYK N 100L U	Cristalite Plus, Nero	3½" Space-saving	10.105.324.00	978.-	> Weblink
		3½" strainer basket	10.105.325.00	937.-	> Weblink
		3½" Space-saving	10.103.298.00	938.-	> Weblink
		3½" strainer basket	10.104.320.00	897.-	> Weblink

### Product description

#### Material

Granite sinks Cristalite Plus: Schock sinks are composed of approx. 80 % quartz, the hardest component of granite. The quartz is bound by the highest quality of acrylic. The composition of acrylic and quartz makes the sinks extremely resistant against scratches and dirt and is responsible for their longevity.

### Accessory

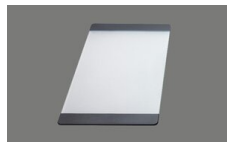
#### Optional accessories



> Weblink  
40.000.912.00 / CHF  
106.-  
Colander, perforated



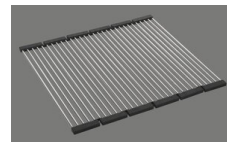
> Weblink  
40.001.289.00 / CHF  
106.-  
Colander, unperforated



> Weblink  
40.000.909.00 / CHF  
151.-  
Chopping board, made of  
glass, white



> Weblink  
40.001.277.00 / CHF  
151.-  
Chopping board, made of  
plastic



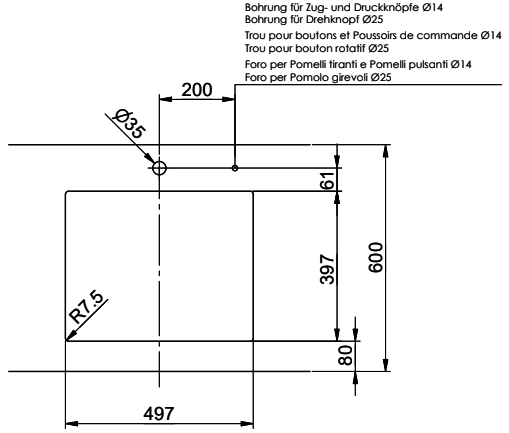
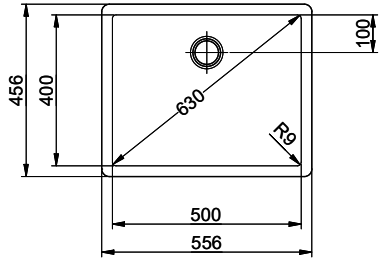
> Weblink  
40.001.138.00 / CHF  
125.-  
Inox Pad

### Spares

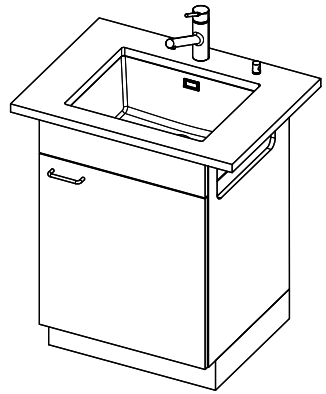
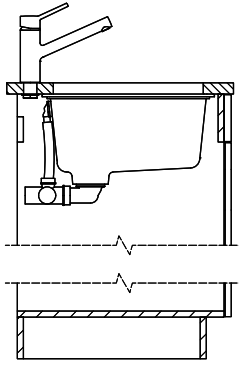
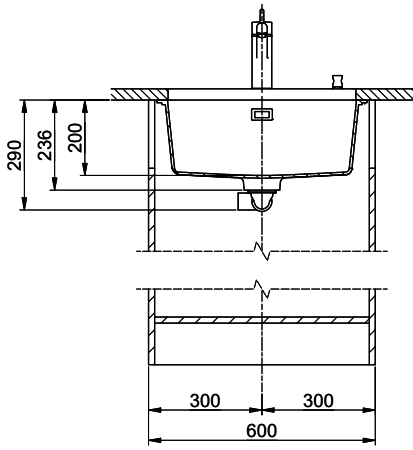
You can find the compatible range of spares here > [Weblink](#)

# Brooklyn BYK N 100L U

Masse / Ausschnittkontur  
 Dimensions / contour de découpe  
 Dimensioni / contorno dell'apertura



Bohrung für Zug- und Druckknöpfe Ø14  
 Bohrung für Drehknopf Ø25  
 Trou pour boutons et Poissirs de commande Ø14  
 Trou pour bouton rotatif Ø25  
 Foro per Pomelli Istanti e Pomelli pulsanti Ø14  
 Foro per Pomolo girevoli Ø25



Für dieses Dokument sind die dargezeigten Gegenstände beschränkt zu verwenden. Verweigerung, Beschränkung an  
 Dritte oder Vervielfältigung ist ausdrücklich untersagt. © Copyright 2021 Suter Inox AG. Alle Rechte vorbehalten.