

Samsung Compact Combination Steamer CS100

[> Web link](#)

Model
Samsung Compact Combination Steamer CS100

Energy efficiency class
A+

Manufacturer ID
NQ50T9939BD/SW

Article no.
500.000.107.00

Appliance type
Compact unit

Construction
Euro Norm 60 cm

VRG
10.00

Price CHF
2'996.- excl. VAT

Highlights

- 50 L cooking capacity - exceptionally spacious
- 1 L water tank for steamer function
- 40 automatic programs
- Full Touch 4,3" TFT-LCD-display and rotary knob
- Steam cleaning aid
- Practical: WiFi Smart Control, operating with smartphone and app
- Dual fan with double hot air: to cook fast, efficient and consistent
- Compact: combined steamer and oven
- Cooking chamber with ceramic enamel: scratch-proof, anti-bacterial

Product description

Construction: **Euro-Norm 60 cm**
GTIN-Nr.: **8806090110405**

Efficiency and consumption

Energy efficiency class (from A+++ to D): **A+**
Energy efficiency index: **80,3**

Energy consumption

Energy consumption, conventional (kWh / cycle): -
Energy consumption, convection / hot air (kWh / cycle): **0,61 kWh**
Standby consumption: **0,5 W**
Consumption pyrolytic cleaning process (kWh / cycle): -

Design

Color control panel: **Anthracite matt**, color door: **graphite grey matt**
Material control panel: **Glass**
Frame / material: -

Display and operation

Display: **Digital display**
Display and lighting: **Color display**
Operation: **4.3" Full Touch-LCD, rotary knob, WiFi**

Interconnection of household appliances

Samsung Smart Home: **WiFi Smart Control**

Performance properties

max. adjustable temperature for top / bottom heat, convection / hot air: **250°C**
Temperature for steam operation: **230°C**
Microwave power output -
Useable grilling space: **1962 cm²**
Useable oven capacity: **50 L**

Dimensions

Height: **456 mm**
Width: **595 mm**
Depth: **570 mm**

Empty weight

Unit weight: **36.3 kg**

Fittings

Inside dimensions (useable size) mm (height / width / depth): **247 x 443 x 443 mm**
Top and bottom heat: **Yes**
Convection: **Yes**
Hot air: **Yes**
Steam:

Samsung Compact Combination Steamer CS100[> Web link](#)**Yes**

Microwave: -
 Grill heating element available / retrofittable: **Yes / -**
 Grill motor / convection grilling: - / **Yes**
 Timer switch / timer: **Yes**
 Drawer / warming drawer: - / **optional**
 Number of cooking chambers: **1**
 Volume per cooking chamber
 Single-chamber operation / top cooking chamber / bottom cooking chamber: **50 L / - / -**
 Number of shelf levels: **4**
 Lighting / inspection window: **Yes / Yes**
 Lighting : **2 x 25W, halogen**
 Telescope rails: -
 Cleaning: **steam cleaning**
 Cooling process: **Cooling ventilator**
 Interior lining: **Ceramic enamel**

Operating modes

Steam: **40~100°C**
 Steam + heating: **40~100 °C**
 Steam + hot air: **60~230 °C**
 Steam + top heat + hot air: **100~230 °C**
 Steam + bottom heat + hot air: **100~230 °C**
 Top / bottom heat: -
 Hot air: **40~250°C**
 Hot air ECO: **40~250°C**
 Grill: large / eco / convection: **150~250 °C / - / 40~250 °C**
 Bottom heat + hot air: **40~250°C**
 Top heat + hot air: **40~250°C**
 Bottom heat : -
 Fast cooking: **40~250°C**
 Automatic roasting (ProRoasting) : **80~200°C**
 Microwave + grill: -
 Microwave + hot air: -

Programs

Special functions: **Keep warm, defrost, multilevel cooking, 10 favourite programmes**
 Automatic programs: **40**
 Dual Cook: -

Control functions

Control functions: **Time, child safety, kitchen timer, oven temperature, end time, signal tone**

Capacity

Total capacity: **2850 W**
 Hot air : **2500 W**
 Grill max. / min.: **2550 / 1100 W**

Electrical connection

Supply voltage g: **230 V**
 Frequency : **50 Hz**
 Connection values: **2,85 kWh**
 Fuse protection: **16 A**
 Length power connection: **1.4 m**
 Power plug: **cable direct connection cable**

Technical data

Standard width: **Euro-Norm 60 cm**
 Standard height: **Euro-Norm 45 cm**
 Niche height: **446 mm - 450 mm**
 Niche width: **564 mm - 568 mm**
 Niche depth: **min. 550 mm**
 Unit width in mm : **595 mm**
 Unit height in mm: **494 mm**
 Unit depth in mm: **570 mm**

Packaging

Weight, incl. packaging: **40,4 kg**
 Packaging dimensions (H x W x D): **590 x 700 x 660 mm**

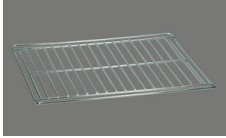
Samsung Compact Combination Steamer CS100 > Web link

Accessory

Included accessories



> Weblink
500.000.047.00 / CHF 2.-
Cooking container, with holes

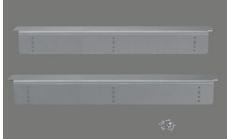


> Weblink
500.000.044.00 / CHF 2.-
Oven grill



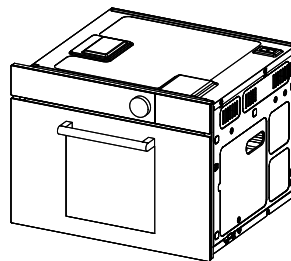
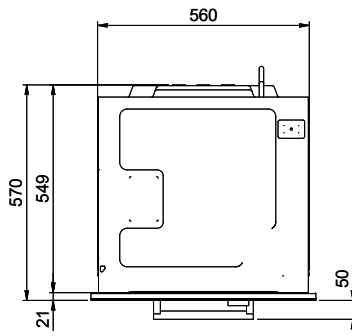
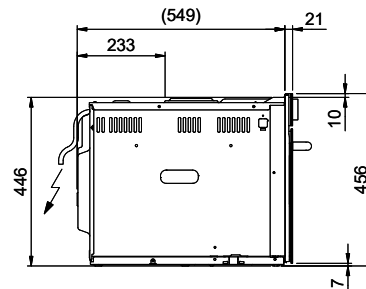
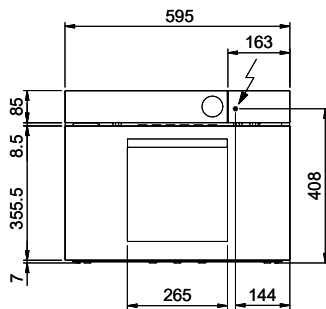
> Weblink
500.000.119.00 / CHF 2.-
Baking sheet 20 mm

Optional accessories



> Weblink
500.000.074.00 / CHF 60.-
Set of support brackets

Samsung CS100 - Gerätemasse



Alle Rechte vorbehalten. Die Abbildung ist eine schematische Darstellung und kann von der Realität abweichen. Die Abbildung ist eine schematische Darstellung und kann von der Realität abweichen. Die Abbildung ist eine schematische Darstellung und kann von der Realität abweichen.