

Daneo DAN 100-55IF/A

[> Web link](#)



Fitting style
Flushmount sinks / Flat-mount inset

Model
DAN 100-55IF/A

Material
Stainless steel 18/10

Article no.
10.103.971.00

Cabinet size
60 cm

Basket
3½" TouchFlow

Surface
Matt

VRG
0.19

Price CHF
2'599,- excl. VAT

Dimensions
550x400x188mm

Corner radius
22 mm

Drainboard
Right

Overflow and drain technology



Sieve - type S



Swivelling TouchFlow overflow cap

Basket pre-assembly
Assembly of the valve at the factory

Dispenser - mounting option
All models

Overflow and drain technology
Standard pull-up knob

Prices (as of 21.06.26/excl. VAT)

Model	Material	Basket	Drainboard	Article no.	Price CHF
Daneo DAN 100-55IF/A	Stainless steel 18/10, Matt	3½" Tipo	Left	10.103.972.00	2'360.- > Weblink
		3½" Tipo	Right	10.103.973.00	2'360.- > Weblink
		3½" TouchFlow	Left	10.103.970.00	2'599.- > Weblink
		3½" TouchFlow	Right	10.103.971.00	2'599.- > Weblink

Product description

1 Product Model, 2 Installation Types

The special advantage of IF models: Installation as flush with the adjacent areas as well as laid flat on top is possible.

Flush-mounted installation: Recommendation for the choice of worktop:

We recommend installation in worktops made of ceramic, granite, artificial stone (e.g. Corian or Varicor) or solid wood. We do not recommend installation in coated chipboard.

Accessory

Optional accessories



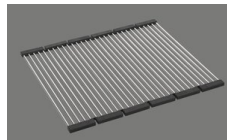
> Weblink
40.000.912.00 / CHF 106.-
Colander, perforated



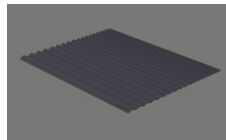
> Weblink
40.001.289.00 / CHF 106.-
Colander, unperforated



> Weblink
40.000.909.00 / CHF 151.-
Chopping board, made of glass, white



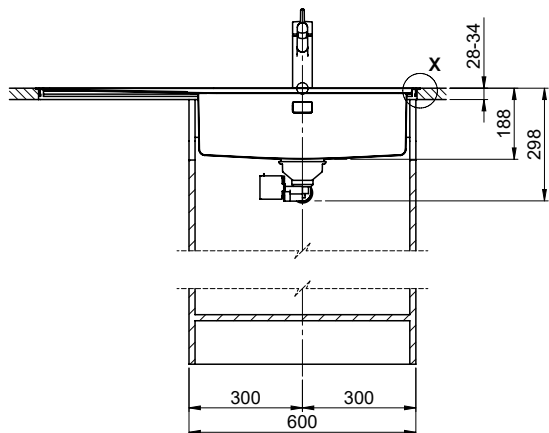
> Weblink
40.001.140.00 / CHF 125.-
Inox Pad

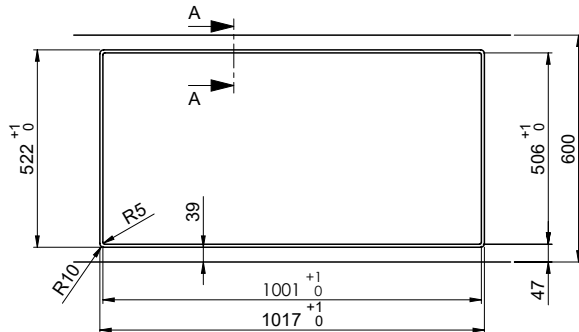


> Weblink
40.002.008.00 / CHF 51.-
Maro dish drainer mat, Dark Grey

Spares

You can find the compatible range of spares here > [Weblink](#)





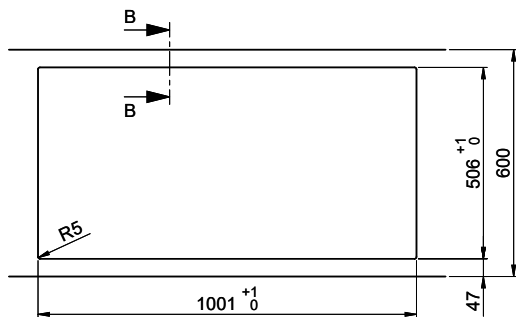
A-A (1 : 2)



X (1:1)



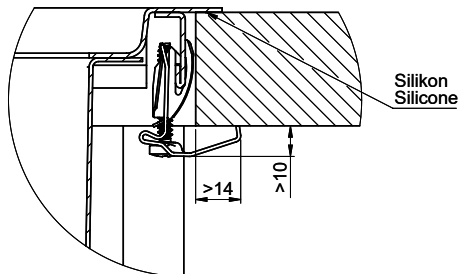
Vom flächenbündigen Einbau in beschichteten Spanplatten raten wir ab.
 Nous vous déconseillons le montage à fleur sur des panneaux de particules enduits.
 Sconsigliamo il montaggio a filo top in pannelli di truciolato laminato.



B-B (1 : 2)



X (1:1)



Für dieses Dokument und den darin abgedruckten Gegenstand behalten wir uns alle Rechte vor. Verwertungen, Reproduktionen
 ohne die Genehmigung des Urhebers sind ausdrücklich untersagt. © Copyright 2020 Suter Inox AG. Alle Rechte vorbehalten.