

**Daneo DAN 100-55IF/A**

[> Web link](#)



**Fitting style**  
Flushmount sinks / Flat-mount inset

**Model**  
DAN 100-55IF/A

**Material**  
Stainless steel 18/10

**Article no.**  
10.103.972.00

**Cabinet size**  
60 cm

**Basket**  
3½" Tipo

**Surface**  
Matt

**Price CHF**  
2'360.- excl. VAT

**Dimensions**  
550x400x188mm

**Corner radius**  
22 mm

**Drainboard**  
Left

**Overflow and drain technology**



Sieve - type S



Swivelling overflow cap

**Basket pre-assembly**  
Assembly of the valve at the factory

**Dispenser - mounting option**  
All models

**Overflow and drain technology**  
Standard pull-up knob

**Prices (as of 28.06.26/excl. VAT)**

Model	Material	Basket	Drainboard	Article no.	Price CHF
Daneo DAN 100-55IF/A	Stainless steel 18/10, Matt	3½" Tipo	Left	10.103.972.00	2'360.- > Weblink
		3½" Tipo	Right	10.103.973.00	2'360.- > Weblink
		3½" TouchFlow	Left	10.103.970.00	2'599.- > Weblink
		3½" TouchFlow	Right	10.103.971.00	2'599.- > Weblink

**Product description**

**1 Product Model, 2 Installation Types**

The special advantage of IF models: Installation as flush with the adjacent areas as well as laid flat on top is possible.

**Flush-mounted installation: Recommendation for the choice of worktop:**

We recommend installation in worktops made of ceramic, granite, artificial stone (e.g. Corian or Varicor) or solid wood. We do not recommend installation in coated chipboard.

**Accessory**

Optional accessories



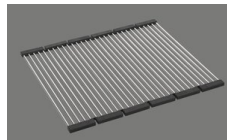
> Weblink  
40.000.912.00 / CHF 106.-  
Colander, perforated



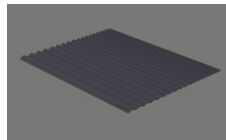
> Weblink  
40.001.289.00 / CHF 106.-  
Colander, unperforated



> Weblink  
40.000.909.00 / CHF 151.-  
Chopping board, made of glass, white



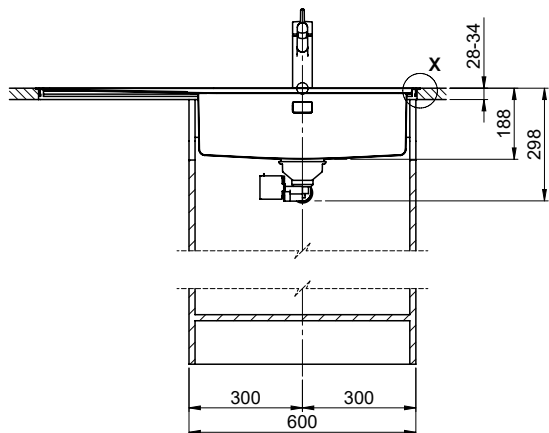
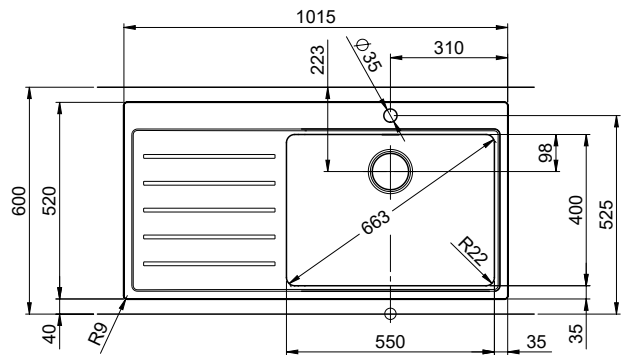
> Weblink  
40.001.140.00 / CHF 125.-  
Inox Pad

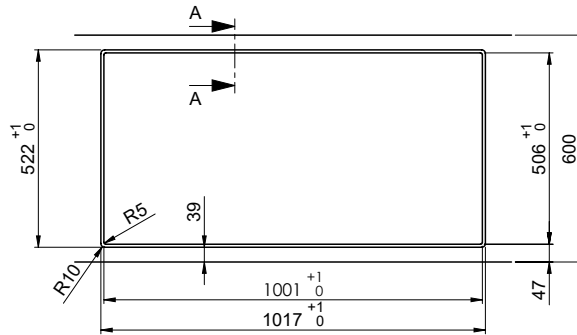


> Weblink  
40.002.008.00 / CHF 51.-  
Maro dish drainer mat, Dark Grey

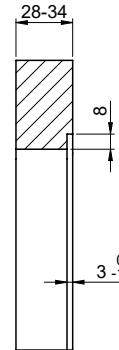
**Spares**

You can find the compatible range of spares here > [Weblink](#)

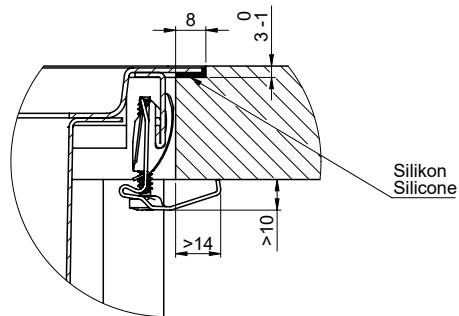




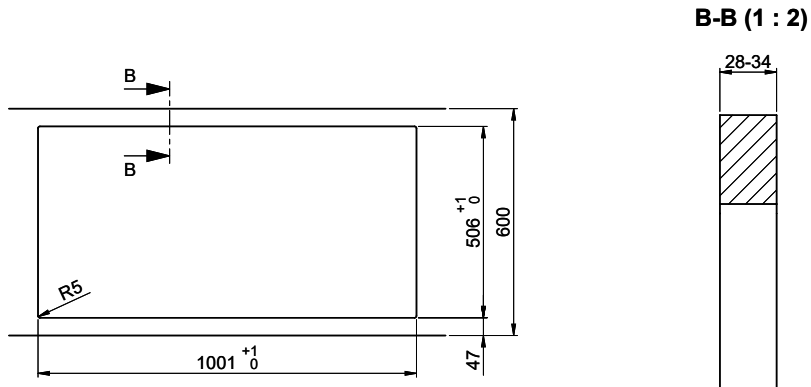
A-A (1 : 2)



X (1:1)



Vom flächenbündigen Einbau in beschichteten Spanplatten raten wir ab.  
 Nous vous déconseillons le montage à fleur sur des panneaux de particules enduits.  
 Sconsigliamo il montaggio a filo top in pannelli di truciolato laminato.



X (1:1)

