

Daneo DAN 34U

[> Web link](#)



Fitting style
Undermount bowls

Model
DAN 34U

Material
Stainless steel 18/10

Article no.
10.103.791.00

Cabinet size
40 cm

Basket
3½" Tipo

Surface
Matt

Price CHF
702.- excl. VAT

Dimensions
340x400x175mm

Corner radius
22 mm

Overflow and drain technology



Sieve - type S



Swivelling overflow cap

Basket pre-assembly
Assembly of the valve at the factory

Dispenser - mounting option
Free choice of positioning

Overflow and drain technology
Standard pull-up knob

Prices (as of 06.05.26/excl. VAT)

Model	Material	Basket	Article no.	Price CHF
Daneo DAN 34U	Stainless steel 18/10, Matt	3½" Tipo	10.103.791.00	702.- > Weblink
		3½" Space-saving	10.103.790.00	743.- > Weblink
		3½" TouchFlow	10.103.789.00	941.- > Weblink

Product description

Combination DAN 18U + DAN 34U: Requires cut-out on both sides of the carcass wall, with enlarged cut-out for DAN 18U.

Accessory

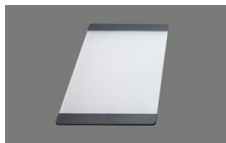
Optional accessories



> Weblink
40.000.912.00 / CHF 106.-
Colander, perforated



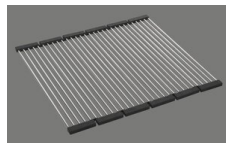
> Weblink
40.001.289.00 / CHF 106.-
Colander, unperforated



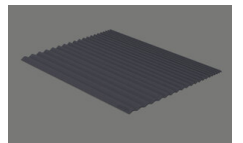
> Weblink
40.000.909.00 / CHF 151.-
Chopping board, made of glass, white



> Weblink
40.001.277.00 / CHF 151.-
Chopping board, made of plastic



> Weblink
40.001.138.00 / CHF 125.-
Inox Pad



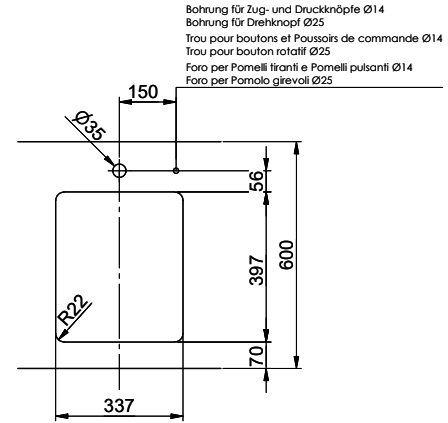
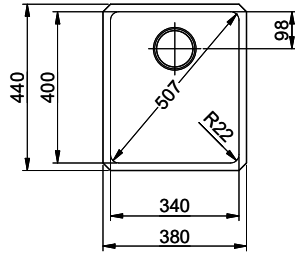
> Weblink
40.002.008.00 / CHF 51.-
Maro dish drainer mat, Dark Grey

Spares

You can find the compatible range of spares here > [Weblink](#)

Daneo DAN 34U

Masse / Ausschnittkontur
 Dimensions / contour de découpe
 Dimensioni / contorno dell'apertura



Bohrung für Zug- und Druckknöpfe Ø14
 Bohrung für Drehknopf Ø25
 Trou pour boutons et Pousoirs de commande Ø14
 Trou pour bouton rotatif Ø25
 Foro per Pomelli tiranti e Pomelli pulsanti Ø14
 Foro per Pomello girevoli Ø25

