

Daneo DAN 40IF/A

[> Web link](#)



Fitting style
Flushmount sinks / Flat-mount inset

Model
DAN 40IF/A

Material
Stainless steel 18/10

Article no.
10.104.807.00

Cabinet size
45 cm

Basket
3½" Tipo

Surface
Matt

Price CHF
1'334.- excl. VAT

Dimensions
400x400x175mm

Corner radius
22 mm

Overflow and drain technology



Sieve - type S



Swivelling overflow cap

Basket pre-assembly
Assembly of the valve at the factory

Dispenser - mounting option
All models

Overflow and drain technology
Standard pull-up knob

Prices (as of 06.05.26/excl. VAT)

Model	Material	Basket	Article no.	Price CHF
Daneo DAN 40IF/A	Stainless steel 18/10, Matt	3½" Tipo	10.104.807.00	1'334.- > Weblink
		3½" TouchFlow	10.104.806.00	1'573.- > Weblink

Product description

1 Product Model, 2 Installation Types

The special advantage of IF models: Installation as flush with the adjacent areas as well as laid flat on top is possible.

Flush-mounted installation: Recommendation for the choice of worktop:

We recommend installation in worktops made of ceramic, granite, artificial stone (e.g. Corian or Varicor) or solid wood. We do not recommend installation in coated chipboard.

Accessory

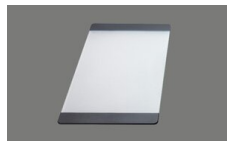
Optional accessories



> Weblink
40.000.912.00 / CHF 106.-
Colander, perforated



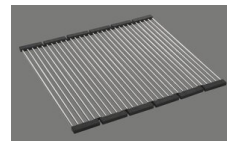
> Weblink
40.001.289.00 / CHF 106.-
Colander, unperforated



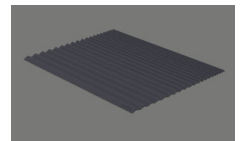
> Weblink
40.000.909.00 / CHF 151.-
Chopping board, made of glass, white



> Weblink
40.001.277.00 / CHF 151.-
Chopping board, made of plastic



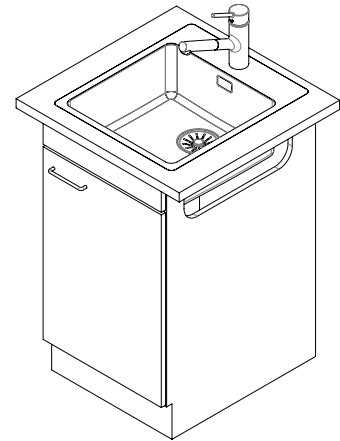
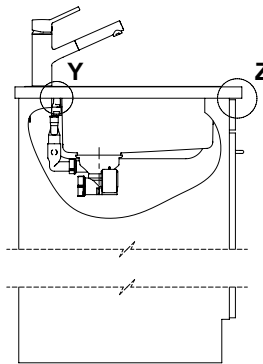
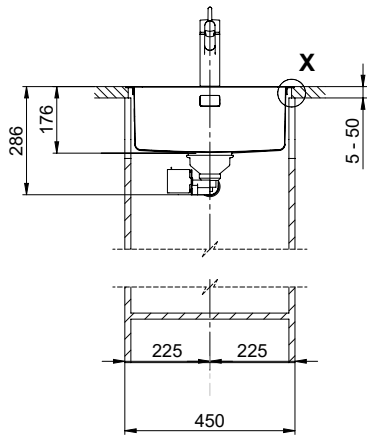
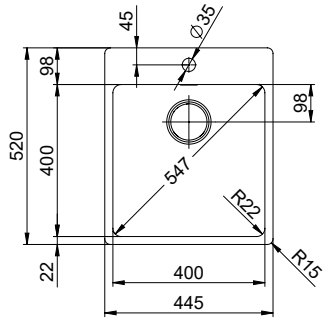
> Weblink
40.001.138.00 / CHF 125.-
Inox Pad



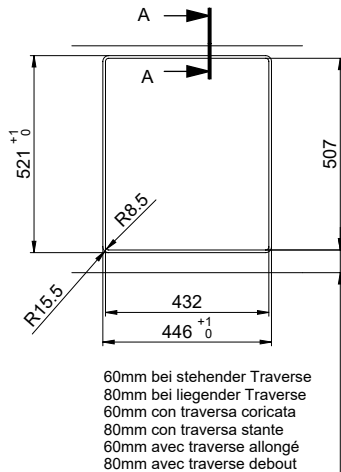
> Weblink
40.002.008.00 / CHF 51.-
Maro dish drainer mat, Dark Grey

Spares

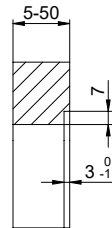
You can find the compatible range of spares here > [Weblink](#)



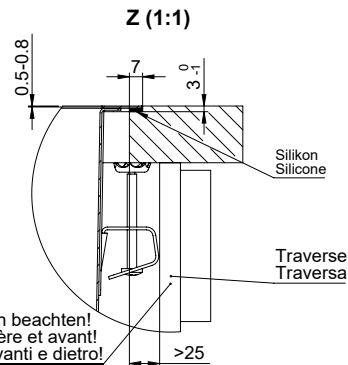
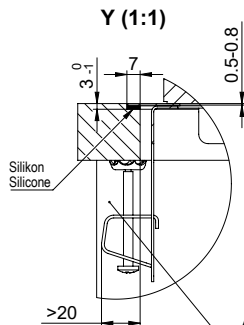
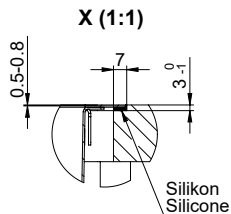
Für dieses Dokument sind den allein abgesetzten Gegenstand betreffen wir uns alle Rechte vor. Verwendbar ist, Belegungen an
 Dritte die Verwendung eines. Vorbehalten einer schriftlichen Zustimmung der Hersteller. © Copyright 2020 Suter Inox AG. All rights reserved.



A-A (1 : 2)

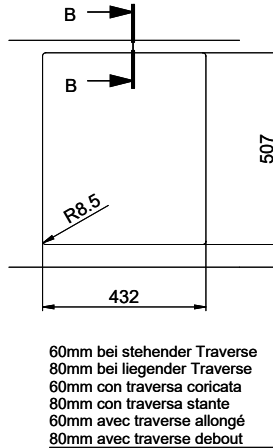


60mm bei stehender Traverse
 80mm bei liegender Traverse
 60mm con traversa coricata
 80mm con traversa stante
 60mm avec traverse allongé
 80mm avec traverse debout



Achtung: Traverse vorne und hinten beachten!
 Attention: respecter la traverse arrière et avant!
 Attenzione: rispettare la traversa avanti e dietro!

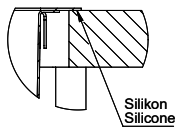
Vom flächenbündigen Einbau in beschichteten Spanplatten raten wir ab.
 Nous vous déconseillons le montage à fleur sur des panneaux de particules enduits.
 Sconsigliamo il montaggio a filo top in pannelli di truciolato laminato.



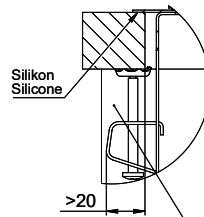
B-B (1 : 2)



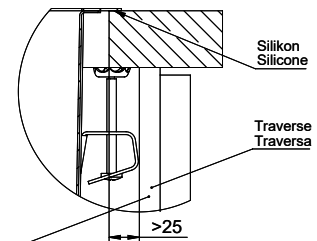
X (1:1)



Y (1:1)



Z (1:1)



Achtung: Traverse vorne und hinten beachten!
 Attention: respecter la traverse arrière et avant!
 Attenzione: rispettare la traversa avanti e dietro!