

**Daneo DAN 50IF/A**

[> Web link](#)



**Fitting style**  
Flushmount sinks / Flat-mount inset

**Model**  
DAN 50IF/A

**Material**  
Stainless steel 18/10

**Article no.**  
10.103.586.00

**Cabinet size**  
55 cm

**Basket**  
3½" TouchFlow

**Surface**  
Matt

**VRG**  
0.19

**Price CHF**  
1'676.- excl. VAT

**Dimensions**  
500x400x176mm

**Corner radius**  
22 mm

**Overflow and drain technology**



Sieve - type S



Swivelling TouchFlow overflow cap

**Basket pre-assembly**  
Assembly of the valve at the factory

**Dispenser - mounting option**  
All models

**Overflow and drain technology**  
Standard pull-up knob

**Prices (as of 20.06.26/excl. VAT)**

Model	Material	Basket	Article no.	Price CHF
Daneo DAN 50IF/A	Stainless steel 18/10, Matt	3½" Tipo	10.103.587.00	1'437.- > Weblink
		3½" TouchFlow	10.103.586.00	1'676.- > Weblink

**Product description**

**1 Product Model, 2 Installation Types**

The special advantage of IF models: Installation as flush with the adjacent areas as well as laid flat on top is possible.

**Flush-mounted installation: Recommendation for the choice of worktop:**

We recommend installation in worktops made of ceramic, granite, artificial stone (e.g. Corian or Varicor) or solid wood. We do not recommend installation in coated chipboard.

**Accessory**

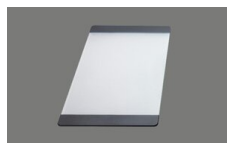
Optional accessories



> Weblink  
40.000.912.00 / CHF 106.-  
Colander, perforated



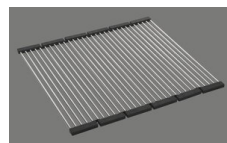
> Weblink  
40.001.289.00 / CHF 106.-  
Colander, unperforated



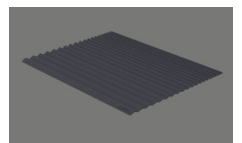
> Weblink  
40.000.909.00 / CHF 151.-  
Chopping board, made of glass, white



> Weblink  
40.001.277.00 / CHF 151.-  
Chopping board, made of plastic



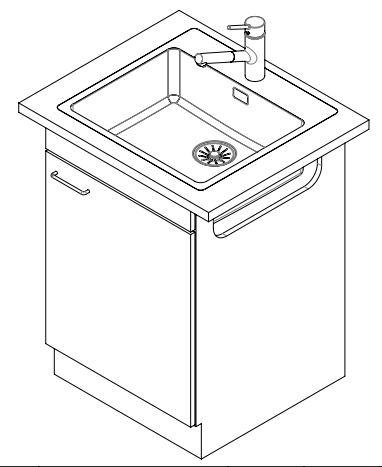
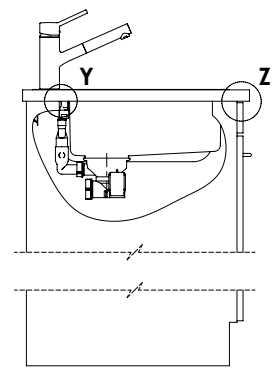
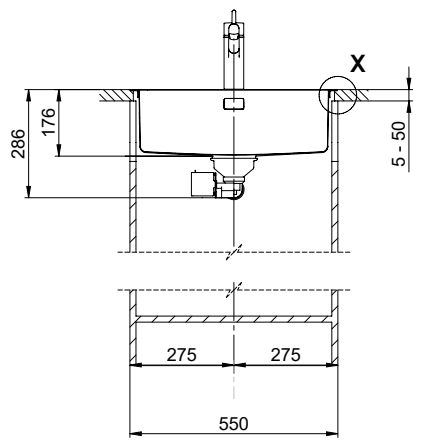
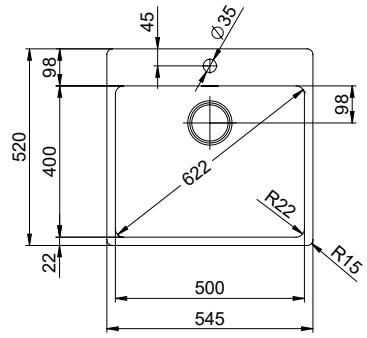
> Weblink  
40.001.138.00 / CHF 125.-  
Inox Pad



> Weblink  
40.002.008.00 / CHF 51.-  
Maro dish drainer mat, Dark Grey

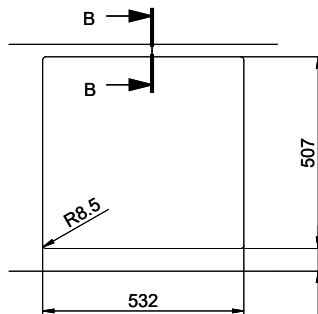
**Spares**

You can find the compatible range of spares here > [Weblink](#)



Für dieses Dokument und den darin dargestellten Gegenstand behalten wir uns alle Rechte vor. Verwendung, Beibehaltung an  
 anderen Stellen, Vervielfältigung, Verbreitung, auch auszugsweise, ist ohne schriftliche Genehmigung der Suter AG. Copyright 2020 Suter AG. All rights reserved.



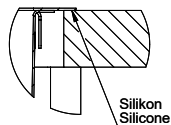


B-B (1 : 2)

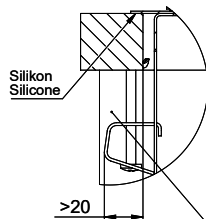


60mm bei stehender Traverse  
 80mm bei liegender Traverse  
 60mm con traversa coricata  
 80mm con traversa stante  
 60mm avec traverse allongé  
 80mm avec traverse debout

X (1:1)



Y (1:1)



Achtung: Traverse vorne und hinten beachten!  
 Attention: respecter la traverse arrière et avant!  
 Attenzione: rispettare la traversa avanti e dietro!

Z (1:1)

