

Daneo DAN 50IF/A

[> Web link](#)



Fitting style
Flushmount sinks / Flat-mount inset

Model
DAN 50IF/A

Material
Stainless steel 18/10

Article no.
10.103.587.00

Cabinet size
55 cm

Basket
3½" Tipo

Surface
Matt

Price CHF
1'437.- excl. VAT

Dimensions
500x400x176mm

Corner radius
22 mm

Overflow and drain technology



Sieve - type S



Swivelling overflow cap

Basket pre-assembly
Assembly of the valve at the factory

Dispenser - mounting option
All models

Overflow and drain technology
Standard pull-up knob

Prices (as of 21.06.26/excl. VAT)

Model	Material	Basket	Article no.	Price CHF
Daneo DAN 50IF/A	Stainless steel 18/10, Matt	3½" Tipo	10.103.587.00	1'437.- > Weblink
		3½" TouchFlow	10.103.586.00	1'676.- > Weblink

Product description

1 Product Model, 2 Installation Types

The special advantage of IF models: Installation as flush with the adjacent areas as well as laid flat on top is possible.

Flush-mounted installation: Recommendation for the choice of worktop:

We recommend installation in worktops made of ceramic, granite, artificial stone (e.g. Corian or Varicor) or solid wood. We do not recommend installation in coated chipboard.

Accessory

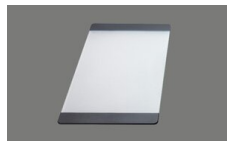
Optional accessories



> Weblink
40.000.912.00 / CHF 106.-
Colander, perforated



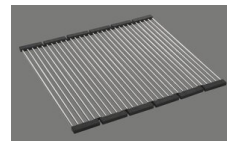
> Weblink
40.001.289.00 / CHF 106.-
Colander, unperforated



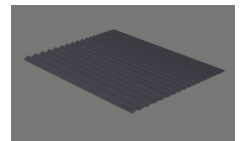
> Weblink
40.000.909.00 / CHF 151.-
Chopping board, made of glass, white



> Weblink
40.001.277.00 / CHF 151.-
Chopping board, made of plastic



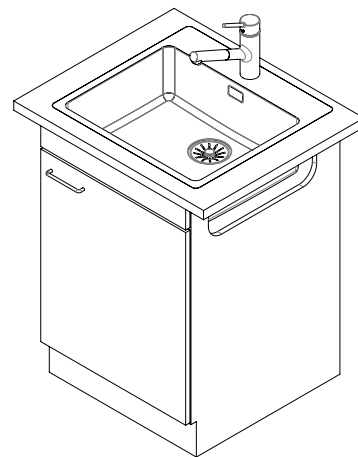
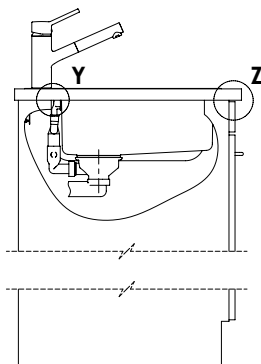
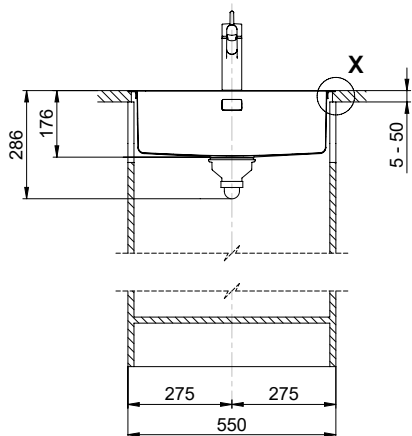
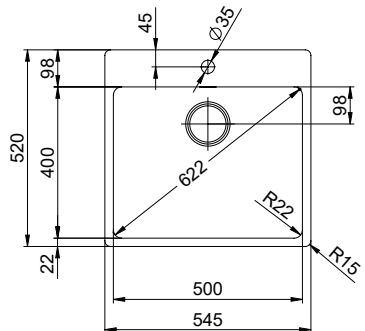
> Weblink
40.001.138.00 / CHF 125.-
Inox Pad



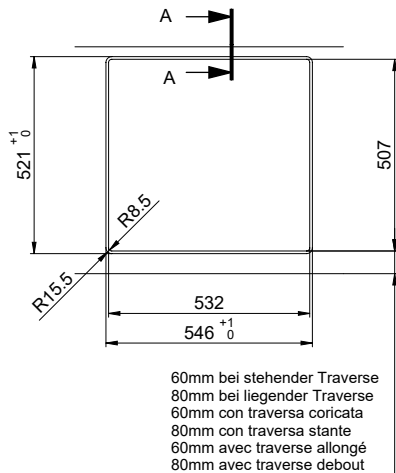
> Weblink
40.002.008.00 / CHF 51.-
Maro dish drainer mat, Dark Grey

Spares

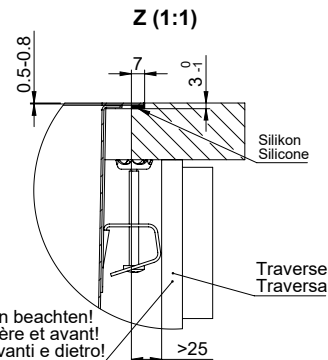
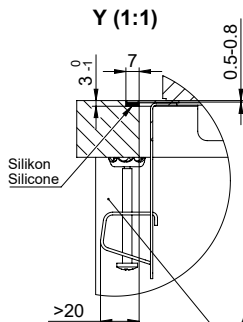
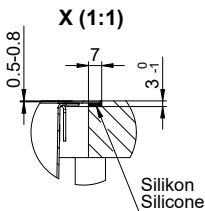
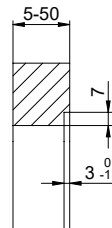
You can find the compatible range of spares here > [Weblink](#)



Für dieses Dokument und den darin abgezeichneten Gegenstand behalten wir uns alle Rechte vor. Verwendbar ist das Material nur für den vorgesehenen Zweck. Die Weitergabe dieses Materials ohne schriftliche Zustimmung ist verboten. © Copyright 2020 Suter Inox AG. All rights reserved.

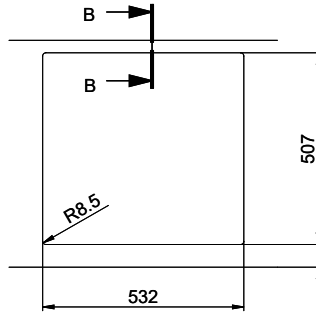


A-A (1 : 2)



Achtung: Traverse vorne und hinten beachten!
 Attention: respecter la traverse arrière et avant!
 Attenzione: rispettare la traversa avanti e dietro!

Vom flächenbündigen Einbau in beschichteten Spanplatten raten wir ab.
 Nous vous déconseillons le montage à fleur sur des panneaux de particules enduits.
 Sconsigliamo il montaggio a filo top in pannelli di truciolato laminato.

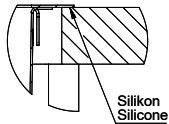


B-B (1 : 2)

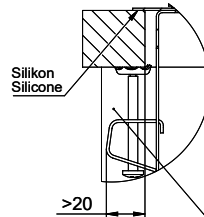


60mm bei stehender Traverse
 80mm bei liegender Traverse
 60mm con traversa coricata
 80mm con traversa stante
 60mm avec traverse allongé
 80mm avec traverse debout

X (1:1)



Y (1:1)



Achtung: Traverse vorne und hinten beachten!
 Attention: respecter la traverse arrière et avant!
 Attenzione: rispettare la traversa avanti e dietro!

Z (1:1)

