

Daneo DAN 50U

[> Web link](#)



Fitting style
Undermount bowls

Model
DAN 50U

Material
Stainless steel 18/10

Article no.
10.104.638.00

Cabinet size
50 cm

Basket
3½" TouchFlow Desino

Surface
Matt

VRG
0.19

Price CHF
1'348.- excl. VAT

Dimensions
500x400x175mm

Corner radius
22 mm

Overflow and drain technology



Desino: Concealed drain with basket underneath - type M



Swivelling TouchFlow overflow cap

Basket pre-assembly
Basket pre-assembly ex works

Dispenser - mounting option
Free choice of positioning

Overflow and drain technology
Standard pull-up knob

Prices (as of 21.06.26/excl. VAT)

Model	Material	Basket	Article no.	Price CHF
Daneo DAN 50U	Stainless steel 18/10, Matt	3½" Tipo Desino	10.105.614.00	1'138.- > Weblink
		3½" Space-saving Desino	10.104.639.00	1'138.- > Weblink
		3½" TouchFlow Desino	10.104.638.00	1'348.- > Weblink
		3½" eFlow Desino	10.104.667.00	1'463.- > Weblink

Product description

The Desino Drain Sieve is dishwasher-safe and can be cleaned completely or separately up to a maximum temperature of 65°C.

Accessory

Optional accessories



> Weblink
40.000.912.00 / CHF 106.-
Colander, perforated



> Weblink
40.001.289.00 / CHF 106.-
Colander, unperforated



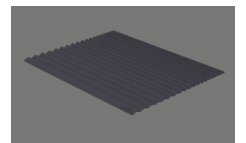
> Weblink
40.000.909.00 / CHF 151.-
Chopping board, made of glass, white



> Weblink
40.001.277.00 / CHF 151.-
Chopping board, made of plastic



> Weblink
40.001.138.00 / CHF 125.-
Inox Pad

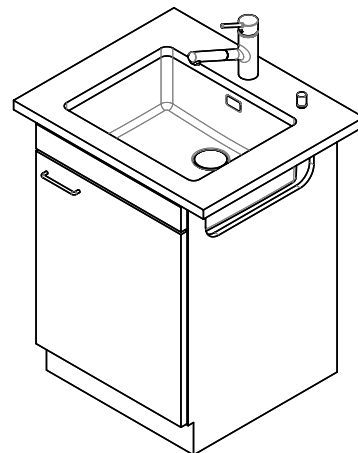
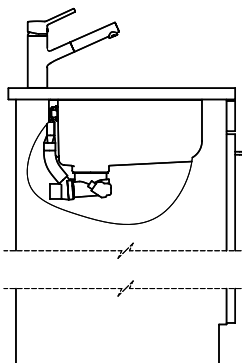
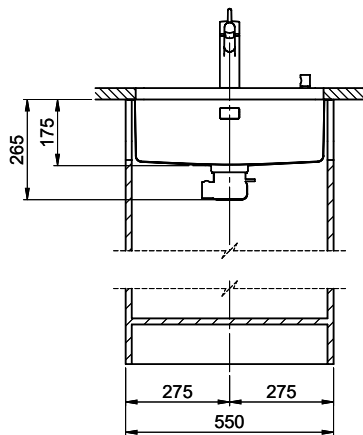
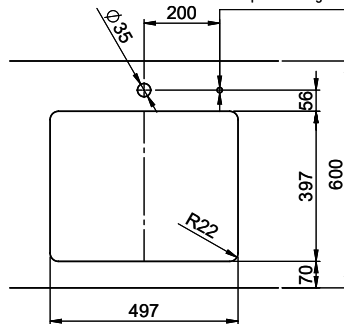


> Weblink
40.002.008.00 / CHF 51.-
Maro dish drainer mat, Dark Grey

Spares

You can find the compatible range of spares here [> Weblink](#)

Bohrung für Zug- und Druckknöpfe ø14
 Bohrung für Drehknopf ø25
 Trou pour boutons et Pousoirs de commande ø14
 Trou pour bouton rotatif ø25
 Foro per Pomelli tiranti e Pomelli pulsanti ø14
 Foro per Pomolo girevoli ø25



Für dieses Dokument und den darin dargestellten Gegenstand behalten wir uns alle Rechte vor. Vervielfältigung, Verbreitung, auch auszugsweise, ist ohne schriftliche Genehmigung der Suterinox AG. Copyright © 2020 Suterinox AG. Alle Rechte vorbehalten.