

**Daneo DAN CP 50F/17**

[> Web link](#)



Cabinet size 55 cm

**Fitting style**  
Flushmount sinks  
**Model**  
DAN CP 50F/17  
**Material**  
Cristalite Plus  
**Article no.**  
10.104.698.00

**Cabinet size**  
55 cm  
**Basket**  
3½" TouchFlow  
**Color**  
Nero  
**VRG**  
0.19  
**Price CHF**  
1'349,- excl. VAT

**Dimensions**  
500x400x165mm  
**Corner radius**  
22 mm

**Overflow and drain technology**

**Basket pre-assembly**  
Assembly of the valve at the factory

**Overflow and drain technology**  
Standard pull-up knob



Sieve - type S, for granite sinks



Swivelling TouchFlow overflow cap for granite sinks

**Dispenser - mounting option**  
Free choice of positioning

**Prices (as of 06.05.26/excl. VAT)**

Model	Material	Basket	Article no.	Price CHF
Daneo DAN CP 50F/17 - Nero	Cristalite Plus, Nero	3½" Tipo	10.104.700.00	1'110.- > Weblink
		3½" Space-saving	10.104.699.00	1'151.- > Weblink
		3½" TouchFlow	10.104.698.00	1'349.- > Weblink

**Product description**

**Material**  
Granite sinks Cristalite Plus: Schock sinks are composed of approx. 80 % quartz, the hardest component of granite. The quartz is bound by the highest quality of acrylic. The composition of acrylic and quartz makes the sinks extremely resistant against scratches and dirt and is responsible for their longevity.  
**Only available for flushmount installation.**

**Flush-mounted installation: Recommendation for the choice of worktop:**  
We recommend installation in worktops made of ceramic, granite, artificial stone (e.g. Corian or Varicor) or solid wood. We do not recommend installation in coated chipboard.

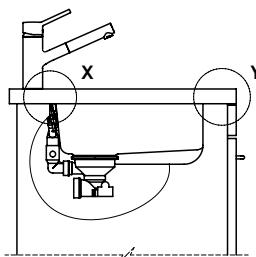
**Accessory** [You can find the complete range of accessories here > Weblink](#)

Optional accessories

> Weblink 40.000.912.00 / CHF 106.- Colander, perforated	> Weblink 40.001.289.00 / CHF 106.- Colander, unperforated	> Weblink 40.000.909.00 / CHF 151.- Chopping board, made of glass, white	> Weblink 40.001.277.00 / CHF 151.- Chopping board, made of plastic	> Weblink 40.001.138.00 / CHF 125.- Inox Pad	> Weblink 40.001.509.00 / CHF 29.- Easy Care cleaning kit for granite sinks

**Spares**

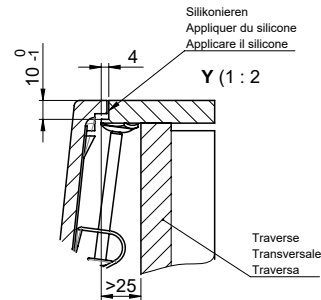
[You can find the compatible range of spares here > Weblink](#)



Vom flächenbündigen Einbau in beschichteten Spanplatten raten wir ab.  
 Nous vous déconseillons le montage à fleur sur des panneaux de particules enduits.  
 Sconsigliamo il montaggio a filo top in pannelli di truciolato laminato.

Bei der Planung die Traverse im Möbel beachten!  
 Faites attention à la barre transversale dans les meubles lors de la planification!  
 Presta attenzione alla traversa nei mobili durante la pianificazione!

Für 12mm Arbeitsplatte.  
 Pour plan de travail de 12mm.  
 Per piano di lavoro da 12mm.



Für 13 - 30mm Arbeitsplatte.  
 Pour plan de travail de 13 - 30mm.  
 Per piano di lavoro da 13 - 30mm.



Für 13 - 50mm Arbeitsplatte.  
 Pour plan de travail de 13 - 50mm.  
 Per piano di lavoro da 13 - 50mm.



