

Daneo DAN CP 50U/1

[> Web link](#)



Fitting style
Undermount bowls

Model
DAN CP 50U/1

Material
Cristalite Plus

Article no.
10.104.755.00

Cabinet size
60 cm

Basket
3½" TouchFlow

Color
Alpina/Superwhite

VRG
0.19

Price CHF
1'294.- excl. VAT

Dimensions
500x400x165mm

Corner radius
22 mm

Overflow and drain technology

Basket pre-assembly
Assembly of the valve at the factory

Overflow and drain technology
Standard pull-up knob



Sieve - type S, for granite sinks



Swivelling TouchFlow overflow cap for granite sinks

Dispenser - mounting option
Free choice of positioning

Prices (as of 22.06.26/excl. VAT)

Model	Material	Basket	Article no.	Price CHF
Daneo DAN CP 50U/1 - Alpina/Su...	Cristalite Plus, Alpina/Superwhite	3½" Tipo	10.104.757.00	1'055.- > Weblink
		3½" Space-saving	10.104.756.00	1'096.- > Weblink
		3½" TouchFlow	10.104.755.00	1'294.- > Weblink

Product description

Material

Granite sinks Cristalite Plus: Schock sinks are composed of approx. 80 % quartz, the hardest component of granite. The quartz is bound by the highest quality of acrylic. The composition of acrylic and quartz makes the sinks extremely resistant against scratches and dirt and is responsible for their longevity.

Accessory [You can find the complete range of accessories here > Weblink](#)

Optional accessories



> Weblink
40.000.912.00 / CHF 106.-
Colander, perforated



> Weblink
40.001.289.00 / CHF 106.-
Colander, unperforated



> Weblink
40.000.909.00 / CHF 151.-
Chopping board, made of glass, white



> Weblink
40.001.277.00 / CHF 151.-
Chopping board, made of plastic



> Weblink
40.001.138.00 / CHF 125.-
Inox Pad



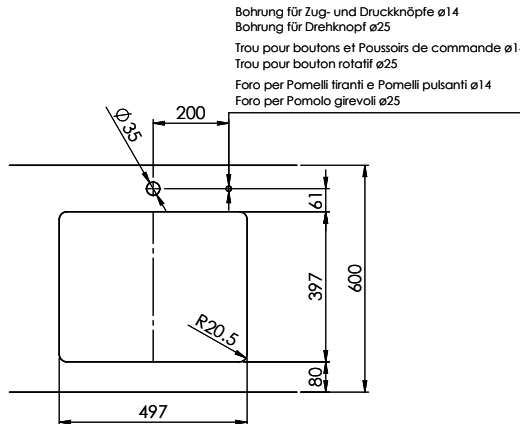
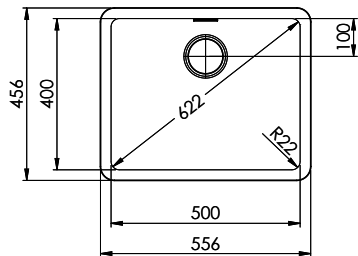
> Weblink
40.001.509.00 / CHF 29.-
Easy Care cleaning kit for granite sinks

Spares

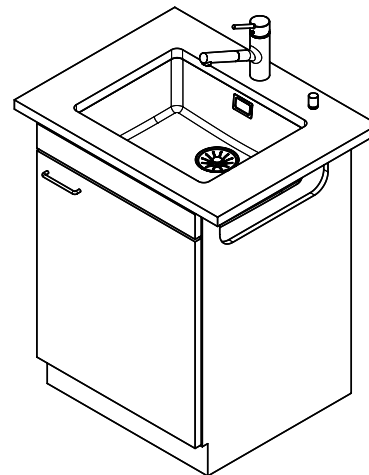
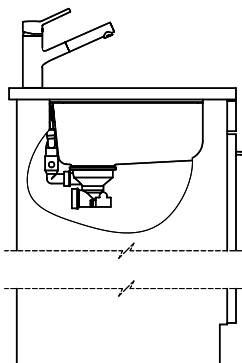
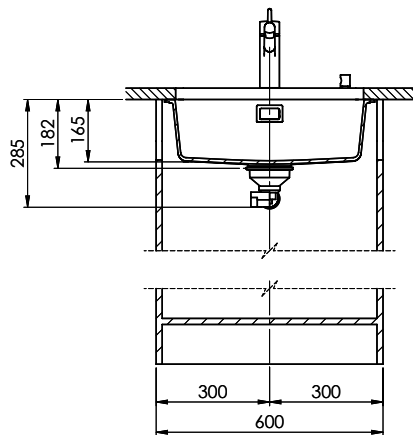
[You can find the compatible range of spares here > Weblink](#)

Daneo DAN CP 50U/1 sFlow Typ S

Masse / Ausschnittkontur
 Dimensions / contour de découpe
 Dimensioni / contorno dell'apertura



Bohrung für Zug- und Druckknöpfe ø14
 Bohrung für Drehknopf ø25
 Trou pour boutons et Pousoirs de commande ø14
 Trou pour bouton rotatif ø25
 Foro per Pomelli tiranti e Pomelli pulsanti ø14
 Foro per Pomolo girevoli ø25



Dieses Dokument und alle darin dargestellten Zeichnungen sind die geistige Eigentum der Suter Inox AG. Nachdruck, Vervielfältigung, Verbreitung, auch auszugsweise, ist ohne schriftliche Genehmigung der Suter Inox AG. All rights reserved.