

Daneo DAN CP 50U/2

[> Web link](#)



Cabinet size 55 cm

Fitting style
Undermount bowls
Model
DAN CP 50U/2
Material
Cristalite Plus
Article no.
10.104.785.00

Cabinet size
55 cm
Basket
3½" TouchFlow
Color
Asphalt
VRG
0.19
Price CHF
1'349,- excl. VAT

Dimensions
500x400x165mm
Corner radius
22 mm

Overflow and drain technology

Basket pre-assembly
Assembly of the valve at the factory

Overflow and drain technology
Standard pull-up knob



Sieve - type S, for granite sinks



Swivelling TouchFlow overflow cap for granite sinks

Dispenser - mounting option
Free choice of positioning

Prices (as of 21.06.26/excl. VAT)

Model	Material	Basket	Article no.	Price CHF
Daneo DAN CP 50U/2 - Asphalt	Cristalite Plus, Asphalt	3½" Tipo	10.104.787.00	1'110.- > Weblink
		3½" Space-saving	10.104.786.00	1'151.- > Weblink
		3½" TouchFlow	10.104.785.00	1'349.- > Weblink

Product description

Material
Granite sinks Cristalite Plus: Schock sinks are composed of approx. 80 % quartz, the hardest component of granite. The quartz is bound by the highest quality of acrylic. The composition of acrylic and quartz makes the sinks extremely resistant against scratches and dirt and is responsible for their longevity.

Accessory [You can find the complete range of accessories here > Weblink](#)

Optional accessories



> Weblink
40.000.912.00 / CHF 106.-
Colander, perforated



> Weblink
40.001.289.00 / CHF 106.-
Colander, unperforated



> Weblink
40.000.909.00 / CHF 151.-
Chopping board, made of glass, white



> Weblink
40.001.277.00 / CHF 151.-
Chopping board, made of plastic



> Weblink
40.001.138.00 / CHF 125.-
Inox Pad



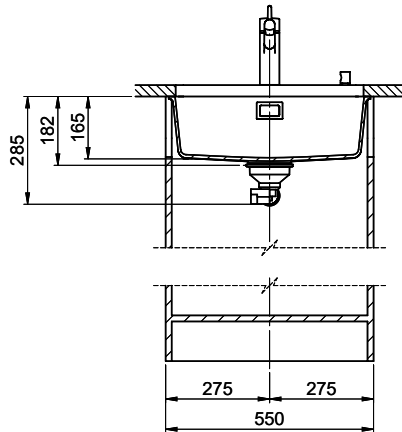
> Weblink
40.001.509.00 / CHF 29.-
Easy Care cleaning kit for granite sinks

Spares

[You can find the compatible range of spares here > Weblink](#)



Bohrung für Zug- und Druckknöpfe ø14
 Bohrung für Drehknopf ø25
 Trou pour boutons et Pousoirs de commande ø14
 Trou pour bouton rotatif ø25
 Foro per Pomelli tiranti e Pomelli pulsanti ø14
 Foro per Pomolo girevoli ø25



Für dieses Dokument und den darin abgezeichneten Gegenstand behalten wir uns alle Rechte vor. Verantwortliche Behörde ist die
 Gewerbe-Verwaltung, welche für diese Zeichnung im Verfahren: © Copyright 2020 Suter Inox AG, Schinznach-Bad.