

**Daneo DAN CP 50U/2**

[> Web link](#)



**Fitting style**  
Undermount bowls  
**Model**  
DAN CP 50U/2  
**Material**  
Cristalite Plus  
**Article no.**  
10.104.786.00

**Cabinet size**  
55 cm  
**Basket**  
3½" Space-saving  
**Color**  
Asphalt  
**Price CHF**  
1'151.- excl. VAT

**Dimensions**  
500x400x165mm  
**Corner radius**  
22 mm

**Overflow and drain technology**



Sieve - type S, for granite sinks



Swivelling overflow cap for granite sinks

**Basket pre-assembly**  
Assembly of the valve at the factory

**Dispenser - mounting option**  
Free choice of positioning

**Overflow and drain technology**  
**Standard pull-up knob**



Advant

**Prices (as of 14.05.26/excl. VAT)**

Model	Material	Basket	Article no.	Price CHF
Daneo DAN CP 50U/2 - Asphalt	Cristalite Plus, Asphalt	3½" Tipo	10.104.787.00	1'110.- <a href="#">&gt; Weblink</a>
		3½" Space-saving	10.104.786.00	1'151.- <a href="#">&gt; Weblink</a>
		3½" TouchFlow	10.104.785.00	1'349.- <a href="#">&gt; Weblink</a>

**Product description**

**Material**

Granite sinks Cristalite Plus: Schock sinks are composed of approx. 80 % quartz, the hardest component of granite. The quartz is bound by the highest quality of acrylic. The composition of acrylic and quartz makes the sinks extremely resistant against scratches and dirt and is responsible for their longevity.

**Accessory**

You can find the complete range of accessories here [> Weblink](#)

**Optional accessories**



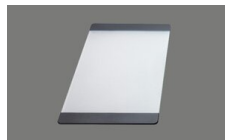
[> Weblink](#)  
40.002.560.00 / CHF 319.-  
3 ½" Space saving, type S | Matte black



[> Weblink](#)  
40.000.912.00 / CHF 106.-  
Colander, perforated



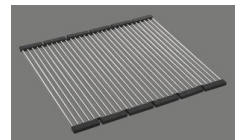
[> Weblink](#)  
40.001.289.00 / CHF 106.-  
Colander, unperforated



[> Weblink](#)  
40.000.909.00 / CHF 151.-  
Chopping board, made of glass, white



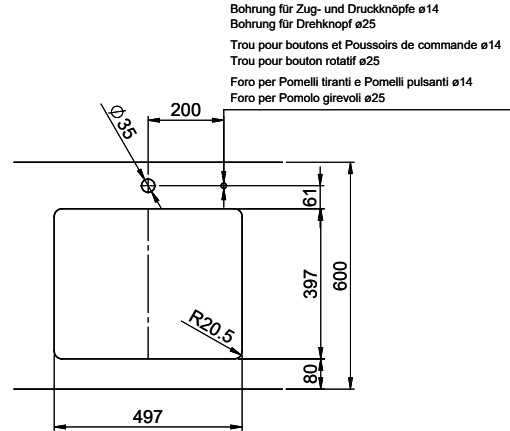
[> Weblink](#)  
40.001.277.00 / CHF 151.-  
Chopping board, made of plastic



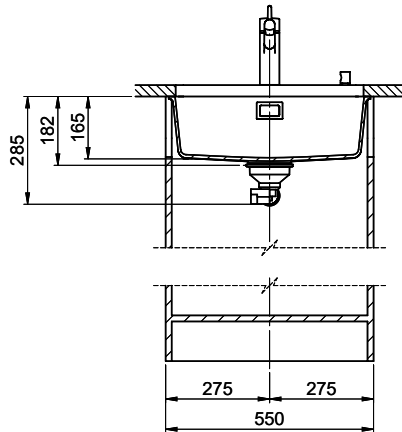
[> Weblink](#)  
40.001.138.00 / CHF 125.-  
Inox Pad

**Spares**

You can find the compatible range of spares here [> Weblink](#)



Bohrung für Zug- und Druckknöpfe ø14  
 Bohrung für Drehknopf ø25  
 Trou pour boutons et Pousoirs de commande ø14  
 Trou pour bouton rotatif ø25  
 Foro per Pomelli tiranti e Pomelli pulsanti ø14  
 Foro per Pomolo girevoli ø25



Für dieses Dokument und den darin abgezeichneten Gegenstand behalten wir uns alle Rechte vor. Verantwortliche Behörde ist die  
 Gewerbe-Verwaltung des Kantons Aargau, Abteilung für Industrie, © Copyright 2020 Suter Inox AG, Schinznach.