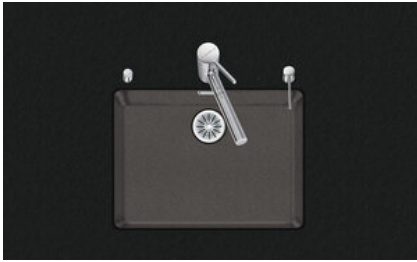


Daneo DAN CP 55U

[> Web link](#)



Fitting style
Undermount bowls
Model
DAN CP 55U
Material
Cristalite Plus
Article no.
10.104.804.00

Cabinet size
60 cm
Basket
3½" Space-saving
Color
Asphalt
Price CHF
1'260.- excl. VAT

Dimensions
550x400x165mm
Corner radius
22 mm

Overflow and drain technology



Sieve - type S, for granite sinks



Swivelling overflow cap for granite sinks

Basket pre-assembly
Assembly of the valve at the factory

Dispenser - mounting option
Free choice of positioning

Overflow and drain technology
Standard pull-up knob



Advant

Prices (as of 21.06.26/excl. VAT)

Model	Material	Basket	Article no.	Price CHF
Daneo DAN CP 55U - Asphalt	Cristalite Plus, Asphalt	3½" Tipo	10.104.805.00	1'219.- > Weblink
		3½" Space-saving	10.104.804.00	1'260.- > Weblink
		3½" TouchFlow	10.104.803.00	1'458.- > Weblink

Product description

Material

Granite sinks Cristalite Plus: Schock sinks are composed of approx. 80 % quartz, the hardest component of granite. The quartz is bound by the highest quality of acrylic. The composition of acrylic and quartz makes the sinks extremely resistant against scratches and dirt and is responsible for their longevity.

Accessory

You can find the complete range of accessories here [> Weblink](#)

Optional accessories



> Weblink
40.000.912.00 / CHF 106.-
Colander, perforated



> Weblink
40.001.289.00 / CHF 106.-
Colander, unperforated



> Weblink
40.000.909.00 / CHF 151.-
Chopping board, made of glass, white



> Weblink
40.001.277.00 / CHF 151.-
Chopping board, made of plastic



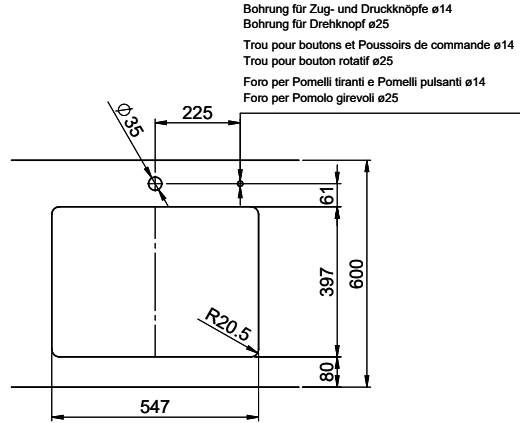
> Weblink
40.001.138.00 / CHF 125.-
Innox Pad



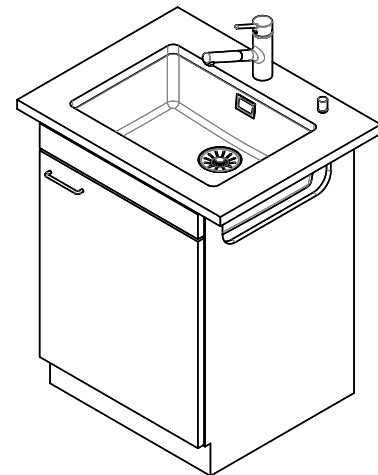
> Weblink
40.001.509.00 / CHF 29.-
Easy Care cleaning kit for granite sinks

Spares

You can find the compatible range of spares here [> Weblink](#)



Bohrung für Zug- und Druckknöpfe ø14
 Bohrung für Drehknopf ø25
 Trou pour boutons et Pousoirs de commande ø14
 Trou pour bouton rotatif ø25
 Foro per Pomelli tiranti e Pomelli pulsanti ø14
 Foro per Pomolo girevoli ø25



Für dieses Dokument und den darin abgezeichneten Gegenstand bestehen wir uns als Rechte vor: Verwertbarkeit, Bekanntgabe an
 Dritte oder Vervielfältigung ohne unsere schriftliche Zustimmung ist verboten. © Copyright 2020 Suter Inox AG. All rights reserved.