

Samsung Dryer TR120 (left)

[> Web link](#)

Model
Samsung Dryer TR120 (left)

Energy efficiency class
C

Manufacturer ID
DV80T5220AW/S5

Article no.
500.000.124.00

Appliance type / construction type
Condensation dryer heat pump

Door hinge
Left

VRG
26.00

Price CHF
1'325.- excl. VAT

Highlights

- Auto Cycle Link - with compatible washing machine suggests dryer suitable programme
- AI Control (KI) - Intelligent drying
- Condensation water drainage optionally via water tank or drain pipe
- Networking with Smart Things App
- 2-in-1 filter - quick cleaning
- Wrinkle protection
- 8 kg drum capacity
- Drum lighting
- OptimalDry system - sensor-regulated temperature

Product description

Type of device: **Heat pump dryer, condenser, Euro-Norm 60 cm**
GTIN-Nr.: **8806090604737**

Planning guidelines

13 languages available, including Braille (English, Dutch, Danish, Finnish, French, German, Icelandic, Italian, Norwegian, Portuguese, Spanish, Swedish, Turkish)
Minimum clearance for proper operation:
sides: 25 mm, top: 25 mm, rear: 50 mm, front: 550 mm

Consumption

Energy efficiency class (from A to G): **C**
Annual energy consumption: **176 kWh**

Energy consumption

Standard program full / half load: **1,41 kWh / 0,80 kWh**
Standby on / off: **5 W / 0,5 W**

Design

Housing color: **White**
Door color: **Carved Black**

Display and operation

Indicator: **Control panel AI Control incl. Braille**
Display: **AI Control**
Operation: **Touch control & rotary knob**
Language display program selection (preset): **13 languages available, including Braille**

Interconnection of household appliances:

Samsung Smart Home: **Smart Things App**

Performance properties

Average duration standard program: **160 min**
Duration standard program full / half: **200 min / 130 min**
Automatic switch-off time: **After 10 min**
Condensation efficiency class (from A to G): **B**
Average condensation efficiency, standard program: **87%**
Sound power level: **63 dB(A)**

Mounting type

Freestanding with worktop: **Yes**
Freestanding undercounter: -
Undercounter unit (without worktop): -
For washer/dryer tower: **Yes**
For wall mounting: -
Door hinge: **Right (reversible)**

Dimensions

Unit dimensions (H x W x D): **850 x 600 x 650 mm**
Unit depth (incl. wall clearance):

Samsung Dryer TR120 (left)

[> Web link](#)**700 mm**Unit depth with door open (incl. wall clearance): **1150 mm**Adjustable height: **max. 30 mm****Empty weight**Unit weight: **50 kg****Fittings**OptimalDry System: **Yes**Wrinkle protection: **Yes**Drum type: **Diamant**Drum volume: **115 l**Drum lighting: **Yes**Drying basket: **-**Drying sensor: **Yes**Drying time selectable: **Yes**Drying level adjustable: **3 levels**Lint filter: **Yes, 2-in-1**Filter cleaning sensor: **Yes**Quick drying (60% residual moisture): **Yes**Refrigerant: **R134a****Functions**SmartCheck: **-**Water tank check: **Yes**WiFi SmartControl: **Yes****Programs / Display**Drying programs: **Iron dry, cotton, delicates, towels, shirts, airing cold, airing warm, mixed laundry, outdoor, easy care, Super short 35' (Quick Dry), wool, XXL laundry, time drying**Buttons on display: **On / Off, navigation wheel, start/pause, display, OK, Drying stage, Crease protection, duration, additional functions, Smart Control**Indicators: **Drying programme, loading recommendation, remaining programme time, Drying stage, crease protection, end time, WLAN, Smart Control, Child safety**Child safety: **Yes**

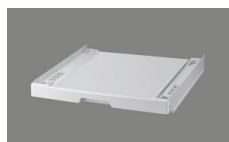
Drying control

Time selection: **-**Automatic with electronic moisture detection: **Yes****Power connection / condensation drain****Electrical connection**Supply voltage: **230 V**Frequency: **50 Hz**Connection values: **1,1 kW**Fuse protection: **10 A**Length power connection: **1,5 m**Power plug: **with plug type 12, 10 A****Condensation drain**Individual condensation drain: **Integrated condensation container or direct condensation drain (waste water connection)**Drain hose G 3/4": **2.0 m, included in the scope of delivery****Packaging**Weight, incl. packaging: **54 kg**Packaging dimensions (H x W x D): **895 x 670 x 695 mm****Accessory**

Optional accessories



> Weblink
500.000.063.00 / CHF
42.-
Combination set SKK-DF
washer/dryer tower
SKK-DF WM120,
WM130, WM40



> Weblink
500.000.129.00 / CHF
134.-
Combination set
SKK-UDW washer/dryer
tower with pull-out
WM120



> Weblink
500.000.065.00 / CHF
59.-
Lint filter



> Weblink
500.000.066.00 / CHF
49.-
Lint filter interior

Samsung Dryer TR120 (left) > Web link

Compatible Articles



> Weblink
500.000.121.00 / CHF
1'277.-
Washing machine
WM120



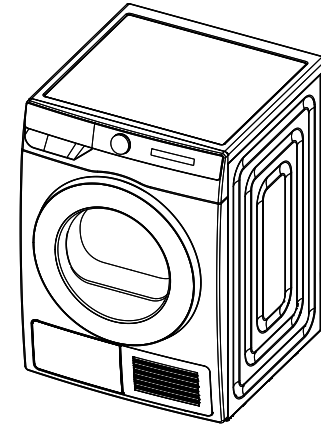
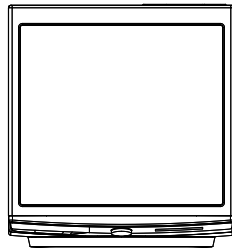
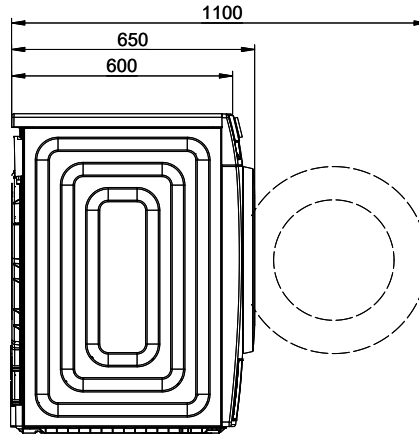
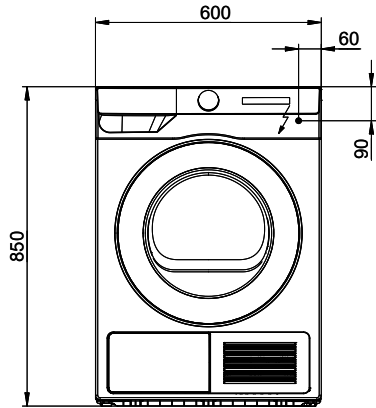
> Weblink
500.000.063.00 / CHF
42.-
Combination set SKK-DF
washer/dryer tower
SKK-DF WM120,
WM130, WM40




> Weblink
500.000.129.00 / CHF
134.-
Combination set
SKK-UDW washer/dryer
tower with pull-out
WM120

Spares

You can find the compatible range of spares here > [Weblink](#)



 230V / 10A T12 L=1500mm