

Samsung EGS130 built-in dishwasher

[> Web link](#)

Model
Samsung EGS130 built-in dishwasher

Energy efficiency class
D (New Label 03.21)

Manufacturer ID
DW60A6082BB/EO

Article no.
500.000.168.00

Appliance type
Dishwasher

VRG
10.00

Price CHF
1'356.- excl. VAT

Highlights

- Capacity: 13 standard place settings
- 7 washing programs
- 60 min. express program - for normally soiled dishes
- 30 min. short program - for lightly soiled dishes
- Flexible interior
- Hygienic washing up to 67°C
- Sound power level: 44 dB(A)
- Aqua-stop - for maximum safety
- Automatic program - with automatic detection of degree of soiling
- Half load - saves energy and water

Product description

Construction type: **Euro-Norm 60 cm**
GTIN nuber: **8806090955150**

Consumption

Energy efficiency class (from A to G): **D**
Efficiency index: **49.9**

Energy consumption per cycle: **0,836 kWh**

Energy consumption: **83,6 kWh / 100 cycles**

Water consumption per cycle: **10,5 L**

Power consumption in off- / standby mode / time preselection / networked standby mode (if available): **0.49 / - / 1 / - W**

Performance properties

Duration (program ECO): **210 Min.**

Holding capacity (place settings): **13**

Cleaning performance index: **1.13**

Drying performance index: **1.07**

Noise (dB(A), built-in unit): **44 dB(A)**

Airborne sound emission class: **B**

Mounting type

Built-in unit: **Yes**

Freestanding with worktop: **-**

Freestanding undercounter: **Yes**

Countertop installation: **Yes**

Decoratable: **-**

Integratable: **-**

Fully integratable: **Yes**

Design

Housing color: **Stainless steel**

Handle: **-**

Control element: **hidden** (fully integrated)

Samsung EGS130 built-in dishwasher[> Web link](#)**Display and operation**

Indicator: **Digital display**
Display and lighting: **LED, Ice Blue**
Operation: **Touch operation**

Interconnection of household appliances

Samsung Smart Home: -

Dimensions

Unit dimensions (H x W x D): **817 x 598 x 560 mm**
Height adjustable: **0-90 mm**

Empty weight

Unit weight: **42 kg**

Fittings

Holding capacity (place settings): **13**
Upper rack: **Adjustable height, foldable cup rows, pull-out handle, glass holder**
Lower rack: **Fold-down tines for plates, extendable handle**
Cutlery: **Cutlery basket**
Interior lining: **Stainless steel**
interior lighting: -
Cleaning system: **Rotating spray arm**

Functions

Drying system: **Drying + Automatic door opener**

Programs / display

Number of washing programs: **7**
Washing programs: **Auto, ECO, Intensive, Short programme, Gentle Wash, Express, Self-clean**
Options: **Half load, hygienic washing, delay start, child safety**

Safety

Aqua-stop hose: **Yes**
Leakage sensor: **Yes**
Child safety: **Yes**

Power and water supply**Electrical connection**

Voltage: **230 V**
Frequency: **50 Hz**
Connection values: **1,8 kW**
Fuse protection: **10 A**
Length power connection: **1,5 m**
Power plug: **Schuko plug with CH adapter (type 12, 10A)**

Water connection

Pressure hose G 3/4": **Yes**
Connectable to cold/hot water: **max. 60° C**
Water inlet: **1,5 m, flexible hose with Aqua-stop**
Water outlet: **1,6 m, flexible hose**

Technical data

Standard width: **Euro-Norm 60 cm**
Niche height: **820 - 910 mm**
Niche width: **600 mm**
Niche depth: **min. 560 mm**
Height for substructure: **817 - 907 mm**
Depth with door open: **1165 mm**
Max. door front weight: **7 kg**
Unit width: **598 mm**
Unit height: **817 mm**
Unit depth: **560 mm**
Salt funnel (incl): **DD81-02921A**

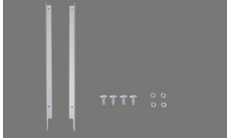
Packaging

Weight, incl. packaging: **48 kg**
Packaging dimensions (H x W x D): **875 x 655 x 645 mm**

Samsung EGS130 built-in dishwasher [> Web link](#)

Accessory

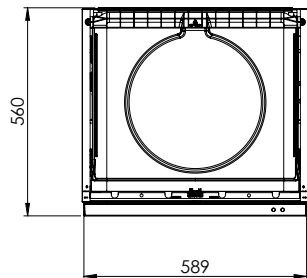
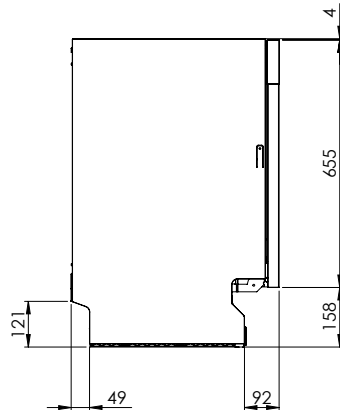
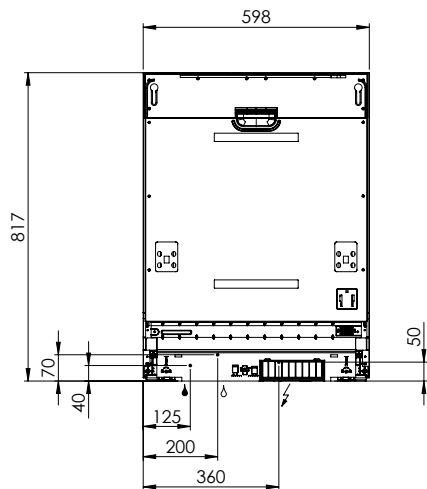
Optional accessories



> Weblink
500.000.091.00 / CHF
61.-
Mounting kit EGS110,
EGS120, EGS130



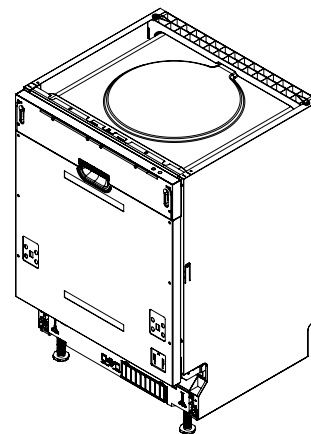
> Weblink
500.000.061.00 / CHF
56.-
Cutlery basket EGS30

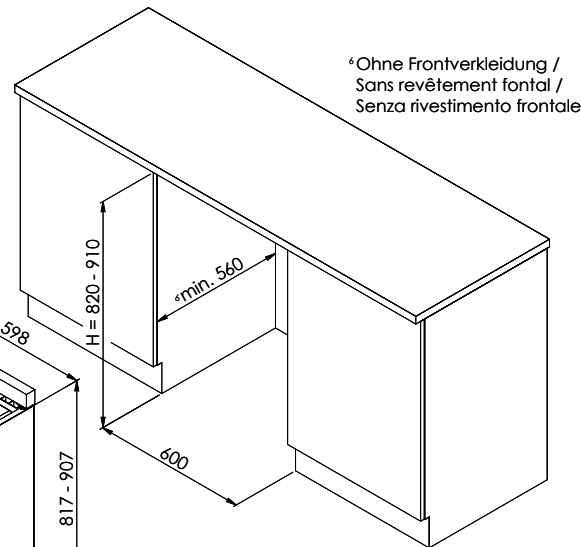
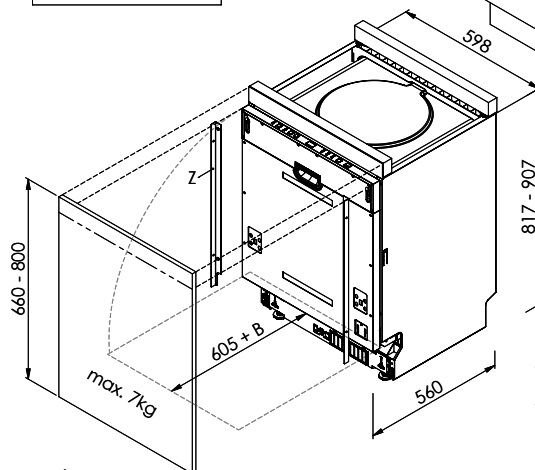
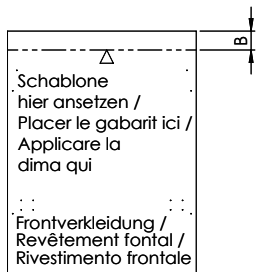
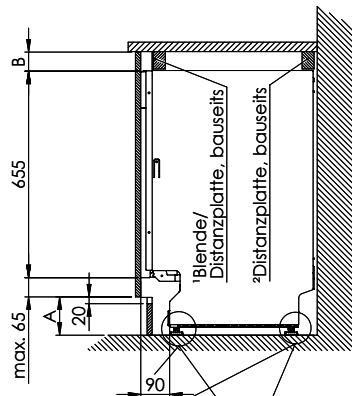


EGS130: 230 V / 10 A, T12, 1500 mm

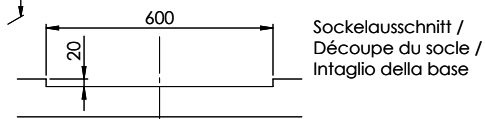
△ Wasserzulauf / Flexible de raccordement, 1500 mm

♣ Wasserablauf / Évacuation, 1400 mm





4 Ohne Frontverkleidung /
 Sans revêtement frontal /
 Senza rivestimento frontale



Sockelausschnitt /
 Découpe du socle /
 Intaglio della base

⁷Montagezubehör siehe: www.suter.ch
 Accessoires de montage voir: www.suter.ch
 V. accessori di fissaggio : www.suter.ch

¹Blende/Distanzplatte bauseits / Panneau/Plaque d'écartement, fourni par le cleint / Pannello/Distanziale fornito da parte cliente
²Distanzplatte bauseit / Plaque d'écartement fourni par le cleint / Distanziale fornito da parte cliente

³Für Nischenhöhe / pour Hauteur de niche / per altezza di nicchia: H = 820 - 860 mm

⁴Für Nischenhöhe / pour Hauteur de niche / per altezza di nicchia: H = 860 - 910 mm

³⁺⁴Im Lieferumfang enthalten / Fourni(s) / Incluso/a nel corredo di fornitura

Sockelhöhe A in mm / Hauteur du socle A en mm / Altezza dello zoccolo A in mm

	100	110	120	130	140	150	160	170	180	190	200	210
Nischenhöhe H / Hauteur de niche en mm / Altezza frontale F in mm	910											
900												
890												
880												
870												
860												
850												
840												
830												
820												