

EVOline Qi Charger

[> Web link](#)**Dimensions****Article no.**
40.002.437.00**Price CHF**
293.- excl. VAT**Product description****EvoLine Qi Charger: Qi charging station for integration into a worktop**, plastic, black

With the EVOline Qi Charger, all Qi-compatible devices can be charged on the same charging station without cables or accessories. It can be installed either under the worktop - so that the charging station is invisible - or attached to a standard opening with a diameter of 80 mm. The device to be charged is simply positioned in the appropriate place - pure minimalism. Charging is done inductively, i.e. the charging coil is only activated when it is connected to the device to be charged.

Scope of delivery

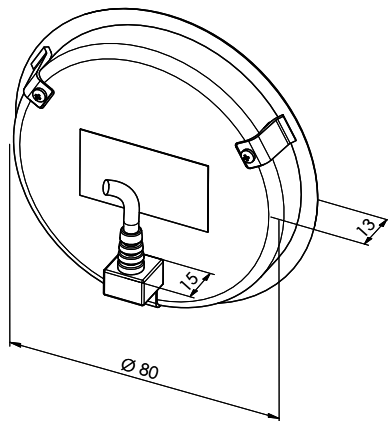
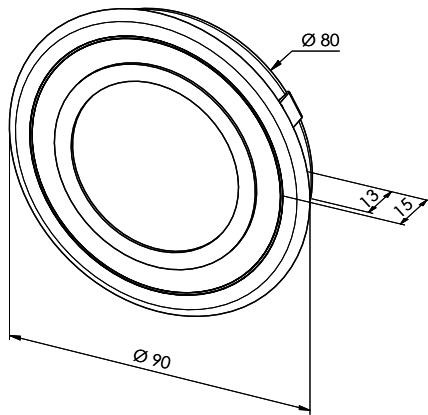
Qi charging coil according to WPC Spec. 1.2.2 "Qi".
USB power adapter with Euro plug, 1 m USB cable
Installation and operating instructions

Technical data

Operating voltage 9 V
Power consumption (operation) max. 10 W
Power consumption (standby) 0.2 W
Operating temperature 17° C - 25° C
Maximum operating temperature 0° C - 40° C
Installation depth (incl. plug) 28 mm
Installation / mounting: Invisible under the worktop or surface mounted

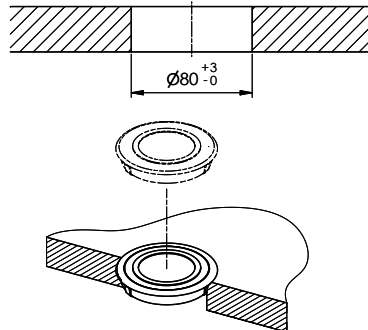
Concealed installation under the worktop: Surfaces must not be electrically conductive (e.g. metal, stainless steel). Recommendation for natural stone: Test before installation/milling, as it may contain traces of iron ore. The remaining thickness of the worktop should be a maximum of 3 mm at the cut-out (see drawing).

If necessary, remove the cover, shell, flap case or case of your smartphone so that wireless charging can work.

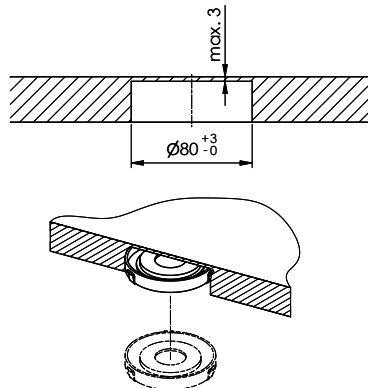


230V / 2.5A, T12, 0.35A

Ausschnitt für sichtbaren Einbau
 Découpe pour installation visible
 Ritaglio per installazione a vista



Ausschnitt für unsichtbaren Einbau
 Découpe pour installation invisible
 Ritaglio per installazione invisibile



Für dieses Dokument sind die durch Copyrighten, Patentrecht behaltene, alle Rechte von Vertriebsfirmen, Markenrechte an
 Dieses oder Verwendung seines Inhalts, ohne unsere Zustimmung ist verboten. © Copyright 2008 Suter Inox AG. All rights reserved.