

Samsung Food Center / French Door SBS315 Family Hub

[> Web link](#)**Model**

Samsung Food Center / French Door SBS315 Family Hub

Energy efficiency class

E (New Label 03.21)

Manufacturer ID

RF65DG9H0EB1WS

Article no.

500.000.194.00

VRG

46.30

Price CHF

4'481.- excl. VAT

Highlights

- Digital Inverter compressor - 10-year warranty
- AI Vision Inside - intelligent support in the kitchen
- Beverage Showcase - In-Door Beverage Centre with Ice, Water & Autofill Pitcher
- Dual Ice Maker - 1.4 Kg ice cubes / 1.4 Kg crushed ice
- Family Hub - an all-around talent with smart features
- NoFrost+ technology - the end of de-icing
- Triple Cooling - three separate circuits, for ideal conditions
- Metal Cooling - to prevent cold air from escaping
- Precise Cooling - for maximum temperature accuracy
- Cool Select Plus - flexible refrigerator and freezer
- Flex Zone - flexibility with 4 preset temperatures
- Internal easily accessible water filter
- Water dispenser and automatic refill (water jug 1.4 L)
- SpaceMax - More useful capacity
- 636 litre capacity

Product description**Technical specifications**

Appliance type: Food centre / French door
Design: Freestanding

Efficiency and consumption

Energy efficiency class (from A to G): E

Design

Front colour: Anthracite
Door handles: Recessed grip

Display and operation

Display: Digital display
Display and lighting: 21" full HD display
Operation: Touch LCD, WiFi

Home appliance networking

Samsung Smart Home: WiFi Smart Things

Appliance features

Total usable capacity: 636 L
Useful capacity fridge compartment: 386 L
Useful capacity freezer compartment: 220 L
Airborne noise emission: 37 dB(C)
Type of light source: LED | G

Equipment**Cooling compartment**

Number of glass shelves (shelves): 4
Number of door compartments (and / or containers): 6
Number of vegetable drawers (containers): 2
Wine compartment: -
Egg trays: 10

Freezer compartment

Number of compartments: 4
 Number of baskets, containers, drawers: 2
 Ice cube trays: -

Further equipment features

Water and ice cube dispenser in door: Inside, incl. autofill pitcher
 ClearView ice maker: Dual ice maker (1.4 kg cubed ice)
 Water filter: Internal, 1 pc. HAF-CIN/EXP included in the scope of delivery
 Fresh Zone compartments: -

Cooling technology

Digital inverter compressor: Yes
 NoFrost+ technology: Yes
 Power Cool: -
 All-round cooling (Multi-Flow): -
 Smart Conversion 5-in-1: -
 Mono Cooling / Twin Cooling / Triple Cooling: No / No / Yes
 Precise Cooling: Yes
 Flex Zone: Yes

Design and labelling

Free-standing appliance: Yes
 Built-in appliance: -
 Can be integrated: -
 Number of outer doors / pull-outs: 4 / -
 Door hinge: Left, right

Dimensions of the appliance

Device dimensions (H x W x D): 1830 x 912 x 723 mm

Electrical connection

Supply voltage: 230 V / 50 Hz
 Connected loads: 220 W
 Fuse protection: 2.5 A
 Length of mains connection cable: 2.0 m
 Mains connection plug: Plug type 12, 10A

Water connection

Water connection: Yes
 Pressure hose G $\frac{3}{4}$: $\frac{3}{4}$ transition piece included in the scope of delivery
 Can be connected to: All machine outlet valves
 Can be connected to cold / hot water: Yes / -
 Water pressure: 2 to max. 8 bar
 Water inlet: 5 m flexible hose
 Water drain: -

Weight: - Weight

Weight incl. packaging: 164 kg

Accessory

Included accessories



[> Weblink](#)

500.000.148.00 / CHF 4.-
 Water filter
 HAF-QIN/EXP

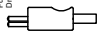
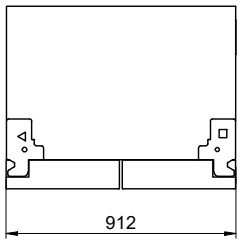
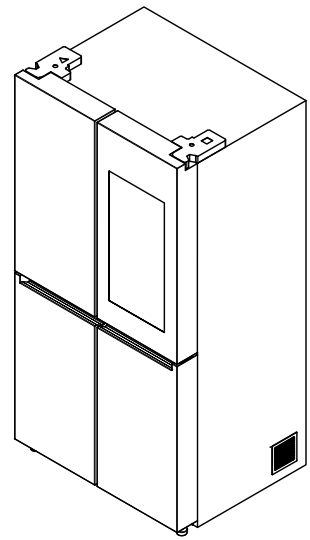
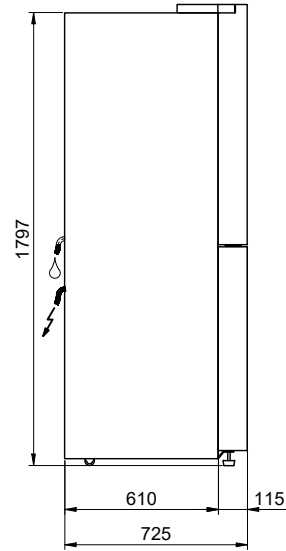
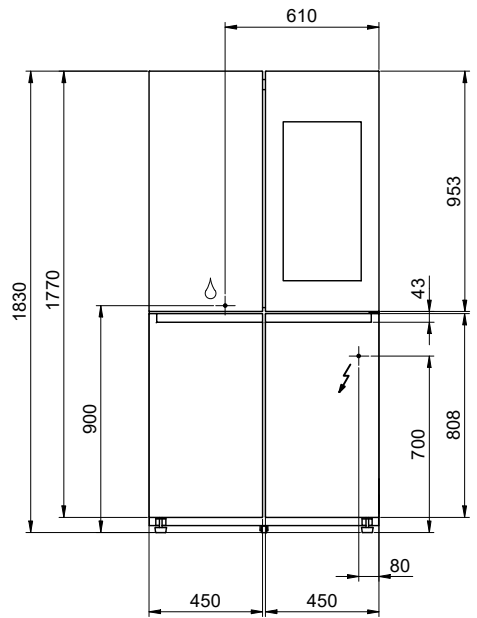
Samsung Food Center / French Door SBS315 Family Hub > Web link

Accessory

Optional accessories

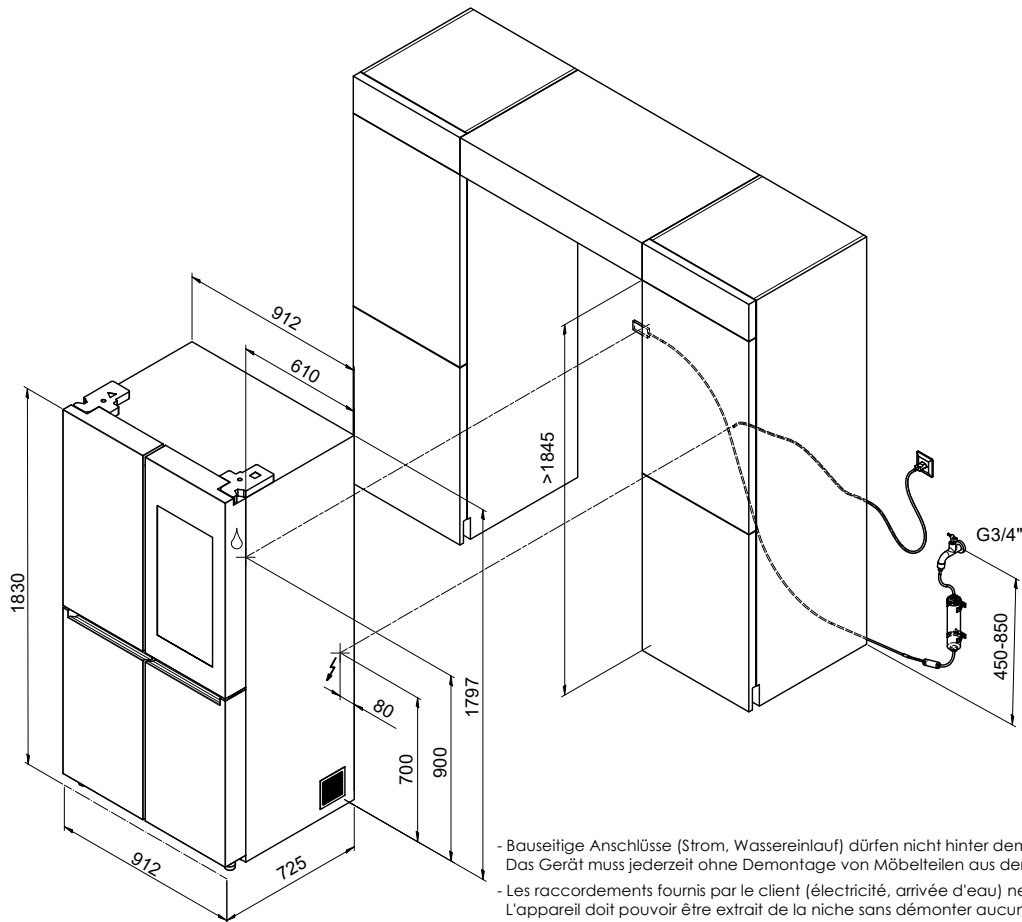



> Weblink
500.000.148.00 / CHF
98.-
Water filter
HAF-QIN/EXP



SBS315: 230V / 2.5A, T12, 2000mm

Für dieses Dokument und die darin abgezeichneten Gegenstände behalten wir uns alle Rechte vor. Verwendung, Weitergabe an Dritte oder Vervielfältigung ist ohne schriftliche Genehmigung der Suter-Gruppe. © Copyright 2020 Suter-Gruppe. All rights reserved.

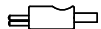
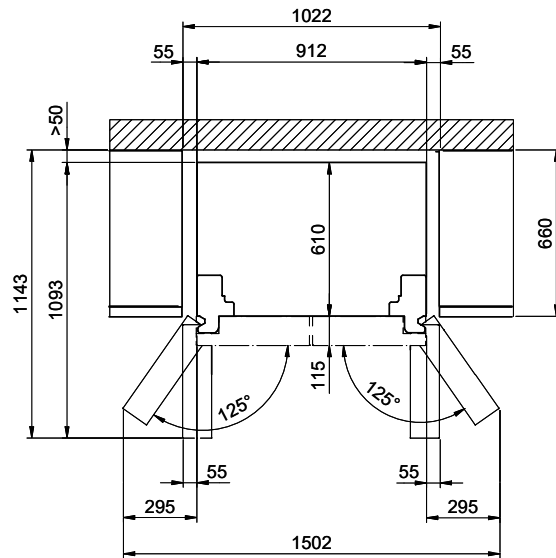
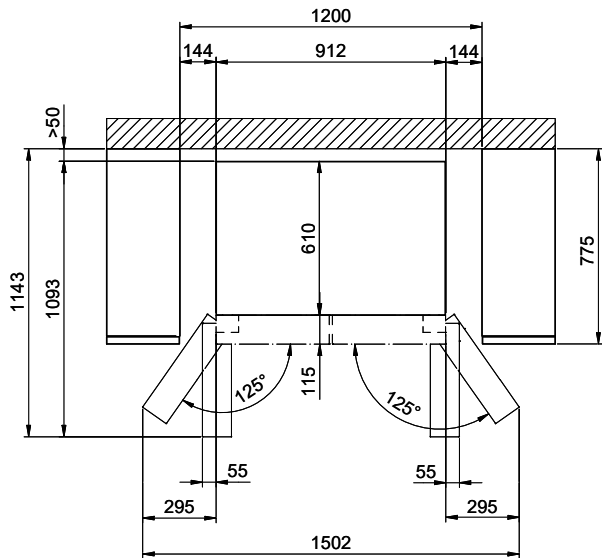


 SBS315: 230V / 2.5A, T12, 2000mm

- Bauseitige Anschlüsse (Strom, Wassereinlauf) dürfen nicht hinter dem Gerät liegen. Das Gerät muss jederzeit ohne Demontage von Möbelteilen aus der Nische gezogen werden können.
- Les raccordements fournis par le client (électricité, arrivée d'eau) ne doivent pas être situés derrière l'appareil. L'appareil doit pouvoir être extrait de la niche sans démonter aucun élément du meuble.
- Gli allacciamenti a cura del committente (elettricità, entrata dell'acqua) non devono trovarsi dietro l'apparecchio. Dev'essere sempre possibile estrarre l'apparecchio dalla nicchia senza smontare parti di mobili.

Frontbündig
 Façade affleurante
 A filo sulla parte anteriore

Gehäusebündig
 Carrosserie affleurante
 A filo con l'alloggiamento



SBS315: 230V / 2.5A, T12, 2000mm