

Samsung Food Center / Side-by-Side SBS130

[> Web link](#)

Model
Samsung Food Center / Side-by-Side SBS130

Energy efficiency class
E (New Label 03.21)

Manufacturer ID
RS67A8811S9/WS

Article no.
500.000.143.00

Door hinge
right / left

VRG
46.30

Price CHF
1'619.- excl. VAT

Highlights

- Digital Inverter compressor - 10-year warranty
- NoFrost+ technology - the end of de-icing
- Twin Cooling Plus - two separate cooling circuits, ideal air humidity
- Precise Cooling - for maximum temperature accuracy
- All Around Cooling - consistent temperature in the cooling chamber
- Power Cool / Power Freeze - particularly fast cooling / freezing
- Smart Conversion 5-in-1 - the right cooling and freezing mode for every situation at the touch of a button
- Water and ice dispenser
- 634 litres useable capacity

Product description

Construction: **Standalone**
GTIN-Nr.: **8806090805295**

Model classification

Energy efficiency class (from A to G): **E**
Efficiency index: **100**
Energy consumption per year: **351 kWh**

Design

Colour: **refined inox**
Door handles: **Grip recess**

Display and operation

Display: **Digital indicator**
Display and lighting: **LED, ice blue**
Operation: **Touch control**

Interconnection of household appliances

Samsung Smart Home: -

Performance properties

Total useable capacity: 634 L
Of which NoFrost: **634 L**

Useable capacity refrigerator: 409 L

Of which cellar refrigeration max./min.: -
Of which cold storage compartment: -

Useable capacity freezer: 225 L

Freezing capacity: **15 kg in 24 hours**

Storage time in case of outage: **5 hours**

Sound power level: **36 dB(A)**

Airborne sound emission class : **C**

Climate class: **SN N ST T**

Ambient temperature (min. > max.): **from +10°C to +43°C**

De-icing process refrigerator: **Automatic**

De-icing process freezer: **Automatic**

Construction and identification

Stand-alone unit: **Yes**

Built-in unit: -

Undermount unit: -

Integral: -

Number of outside doors/pull-outs: **2 / -**

Door hinge: **Left, right**

Dimensions

Height:

Samsung Food Center / Side-by-Side SBS130

[> Web link](#)**178 cm**Width: **91.2 cm**Depth: **71.6 cm**Width with open door/pull-out: **174,5 cm**Depth with open door/pull-out: **117 cm**Dimensions of unit (H x W x D) : **1780 x 912 x 716 mm****Empty weight**Unit weight: **112 kg****Fittings****Adjustable freezer temperature**Independent of refrigerator temperature: **Yes**Together with refrigerator temperature: **Yes**Control for continuous freezer operation: **-****Control indicators refrigerator**Regular operation: **Lamp**Temperature indicator: **Inside**Door open: **Visual / acoustic****Control indicators freezer**Regular operation: **Lamp**Continuous operation: **-**Malfunction / warning signal: **Visual / acoustic**Door open: **Visual / acoustic**Temperature indicator: **Inside****Refrigerator**Egg trays: **17**Door compartments with flap or sliding door: **1**Door shelves and/or containers: **5**Refrigerator storage surfaces: **4**- - of which adjustable: **1**Refrigerator containers: **2****Freezer**Door compartments: **2**Interior compartments: **4**Baskets, containers, interior drawers: **4**Ice cube trays: **-****Additional fittings**Door water and ice dispenser: **Yes**ClearView ice maker: **Yes**Water filter: **External, 1 unit HAFEX/EXP included in the scope of delivery**Interior lighting / energy efficiency class: **LED / G**Fruit and vegetable compartments: **2**Fresh Zone compartments: **-**Pull-out tray: **1**Wine cooler: **-**Water connection: **Yes****Cooling technology**Digital inverter compressor: **Yes**NoFrost+ technology: **Yes**Power Cool / Power Freeze: **Yes**Cool Select Plus: **-**All Around Cooling (multi-flow): **Yes**Smart Conversion 5-in-1: **Yes**Metal Cooling: **-**Twin Cooling Plus: **Yes**Precise cooling plus: **Yes**Flex zone: **-**Refrigerant: **R-600a****Power and water supply****Electrical connection**Supply voltage: **230 V**Frequency: **50 Hz**Connection values: **220 W**Fuse protection: **2.5 A**Length power connection: **2.0 m**Power plug **Plug type 12, 10 A****Water connection**Water connection: **Yes**Pressure hose G 3/4": **3/4" adapter piece included in the delivery scope**Connectable to: **all machine drain valves**Connectable to cold/hot water: **Yes / -**

Water pressure:

Samsung Food Center / Side-by-Side SBS130[> Web link](#)**2 to max. 8 bar**Water inlet: **5 m flexible hose**

Water outlet: -

Technical dataUnit height: **1780 mm**Unit width: **912 mm**Unit depth: **716 mm****Packaging**Weight, incl. packaging: **117 kg**Packaging dimensions (H x W x D): **1912 x 960 x 776 mm****Accessory**

Included accessories

[> Weblink](#)

500.000.058.00 / CHF 1.-

Water filter

Optional accessories

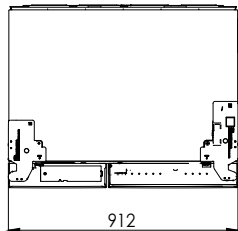
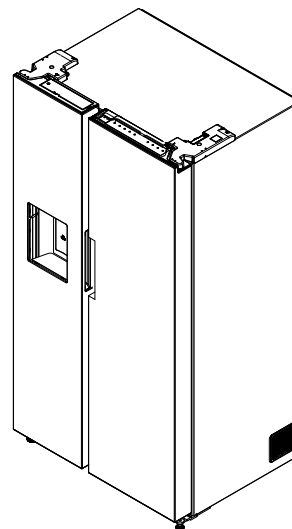
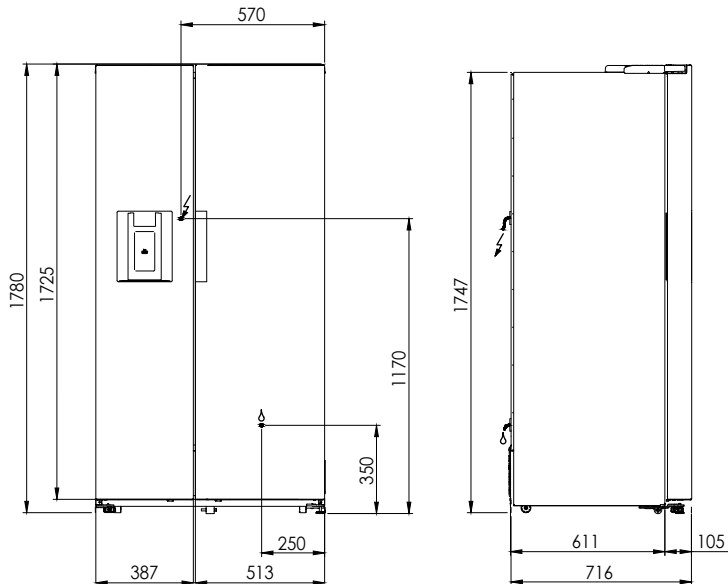
[> Weblink](#)

500.000.058.00 / CHF

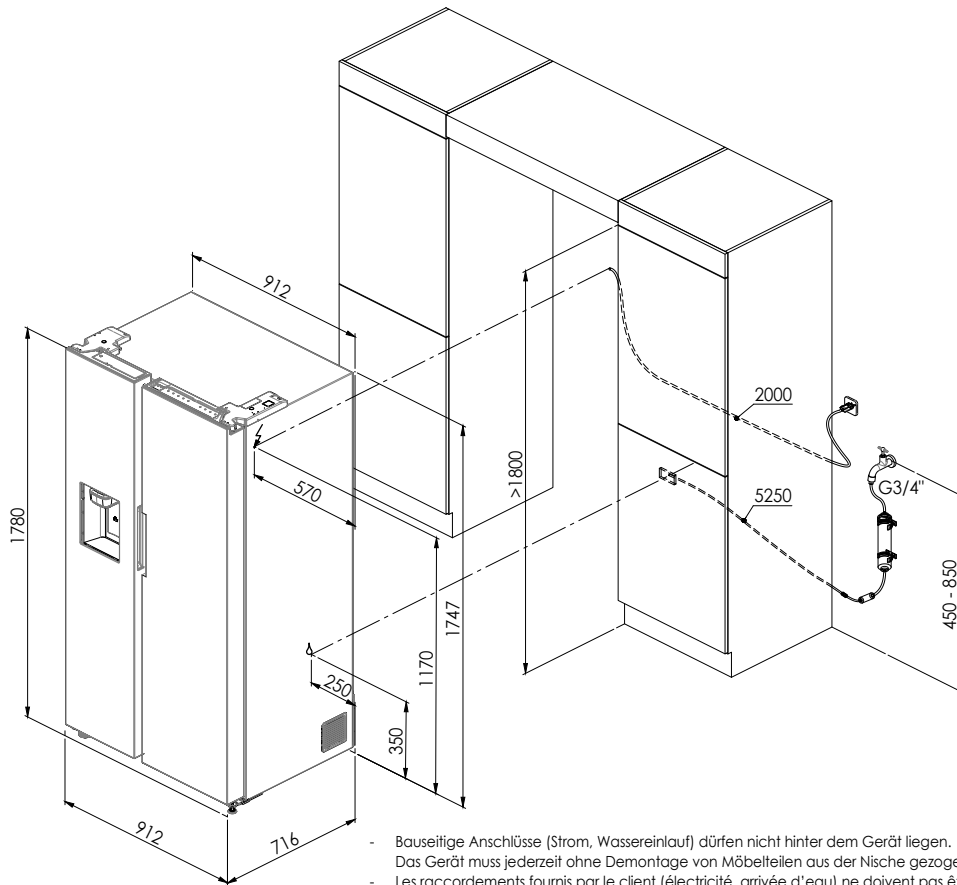
86.-

Water filter

SparesYou can find the compatible range of spares here [> Weblink](#)



SBS130: 230 V / 2.5 A, T12, 2000 mm

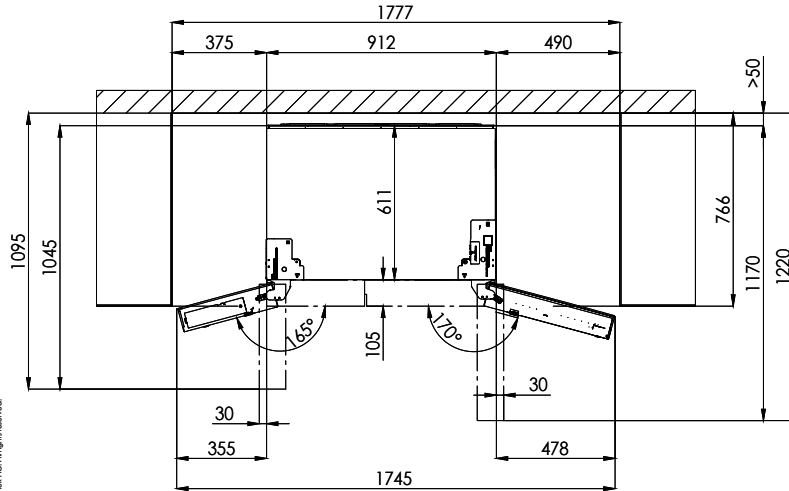


- Bauseitige Anschlüsse (Strom, Wassereinlauf) dürfen nicht hinter dem Gerät liegen. Das Gerät muss jederzeit ohne Demontage von Möbelteilen aus der Nische gezogen werden können.
- Les raccordements fournis par le client (électricité, arrivée d'eau) ne doivent pas être situés derrière l'appareil. L'appareil doit pouvoir être extrait de la niche sans démonter aucun élément du meuble.
- Gli allacciamenti a cura del committente (elettricità, entrata dell'acqua) non devono trovarsi dietro l'apparecchio. Dev'essere sempre possibile estrarre l'apparecchio dalla nicchia senza smontare parti di mobili.

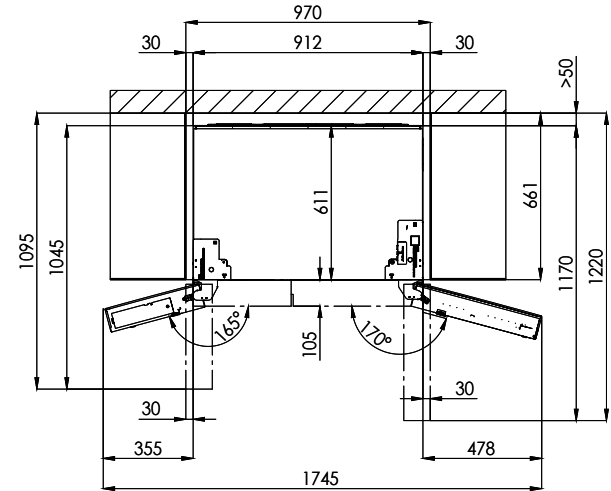


SBS130: 230 V / 2.5 A, T12, 2000 mm

Frontbündig
 Façade affleurante
 A filo sulla parte anteriore



Gehäusebündig
 Carrosserie affleurante
 A filo con l'alloggiamento



SBS130: 230 V / 2.5 A, T12, 2000 mm