

Food Center / Side-by-Side SBS2020

[> Web link](#)

Model
LG Food Center / Side-by-Side SBS2020

Energy efficiency class
E (New Label 03.21)

Manufacturer ID
GSJV70PZTE

Article no.
530.000.002.00

Door hinge
right / left

VRG
46.30

Price CHF
2'997.- excl. VAT

Highlights

- Door-in-Door™ - quick access, save energy
- DoorCooling+™ - fast and even cooling, more freshness
- Inverter Linear Compressor™ - quiet, economical and reliable
- Multi-air-flow recirculation cooling - innovative air circulation throughout the interior
- Total No Frost - never defrost again
- WiFi, ThinQ® - connected future built in
- Ice, crushed ice and water dispensers
- 635 litres useful capacity

Product description

Construction: **Standalone**
GTIN-Nr.: **8806091423283**

Model classification

Energy efficiency class (from A to G): **E**
Efficiency index: **100**
Energy consumption per year: **350 kWh**

Design

Colour: **Platinum Silver**
Door handles: **Grip recess horizontal**

Display and operation

Display: **Digital indicator**
Display and lighting: **LED, white**
Operation: **Touch control WiFi**

Interconnection of household appliances

Samsung Smart Home: **WiFi, ThinQ®**

Performance properties

Total useable capacity: 635 L
Useable capacity refrigerator: 416 L
Of which cellar refrigeration max./min.: -
Of which cold storage compartment: -
Useable capacity freezer: 219 L
Star rating freezer compartment: * * * *
Frost-free refrigerator / freezer compartment (No Frost): **Yes / Yes**
Freezing capacity: **12 kg in 24 hours**
Storage time in case of outage: **2 hours**
Sound power level: **36 dB(A)**
Airborne sound emission class: **C**
Climate class: **T**
Ambient temperature (min. > max.): **from +18 °C to +43°C**
Type of light source / energy efficiency class A to G: **LED / G**

Construction and identification

Stand-alone unit: **Yes**
Built-in unit: -
Undermount unit: -
Integral: -
Number of outside doors/pull-outs: **3 / -**
Door hinge: **Left, right**

Dimensions

Height: **179 cm**
Width:

Food Center / Side-by-Side SBS2020[> Web link](#)**91.3 cm**Depth: **73.5 cm**Width with open door/pull-out: **163,5 cm**Depth with open door/pull-out: **118 cm**Dimensions of unit (H x W x D) : **1790 x 913 x 735 mm****Empty weight**Unit weight: **131 kg****Fittings****Cooling section**Operation Temperature setting: **Touch operation, WiFi**Refrigerator temperature display (digital): **inside**Temperature display freezer compartment (digital): **inside****Adjustable freezer temperature**Independent of refrigerator temperature: **Yes**Together with refrigerator temperature: **-**Quick freeze switch with automatic reset: **Yes**Warning signal / malfunction freezer compartment: **acoustic**Door open: **acoustic****Equipment refrigerator**Number of glass shelves (storage surfaces): **4**Number of door compartments (and/or containers): **4**Number of vegetable drawers (containers): **2**Wine compartment: **-**Egg trays: **Yes****Equipment freezer**Number of glass shelves (storage surfaces): **4**Baskets, containers, interior drawers: **2**Ice cube trays: **-****Additional fittings**Door water and ice dispenser: **Yes, incl. crushed ice**Smart Diagnosis: **Yes**UVnano Technologie: **-**Water filter: **Yes (optional)**Fresh Zone compartments: **1**Pull-out tray: **-**Water connection: **Yes**Insta View Door-in-Door TM: **Yes**Door-in-Door TM: **Yes****Cooling technology**Inverter Linear Compressor TM: **Yes**Total No Frost: **Yes**Express- Cool / Freeze: **Yes / Yes**Multi Air Flow recirculating air cooling: **Yes**Metal Fresh: **-**Linear Cooling: **Yes**DoorCooling+: **Yes**Pure N Fresh: **-**Refrigerant: **R600a****Power and water supply****Electrical connection**Supply voltage: **230 V**Frequency: **50 Hz**Connection values: **250 W**Fuse protection: **2.5 A**Length power connection: **ca. 2 m**Power plug: **Schuko plug with CH adapter (type 12, 10A)****Water connection**Water connection: **Yes**AquaStopp: **-**Pressure hose G 3/4": **3/4" transition piece** included in the scope of deliveryConnectable to: **all machine outlet valves**Connectable to cold/hot water: **Ja / -**Water pressure: **2 to max. 8 bar**Water inlet: **5 m flexible hose**Water outlet: **-****Technical data**Unit height: **1790 mm**Unit width: **913 mm**Unit depth: **735 mm****Packaging**Weight, incl. packaging: **141 kg**

Packaging dimensions (H x W x D):

Food Center / Side-by-Side SBS2020 > Web link

1891 x 968 x 770 mm

Planning information: **min. 5cm clearance on all sides**

Accessory

Included accessories

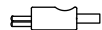
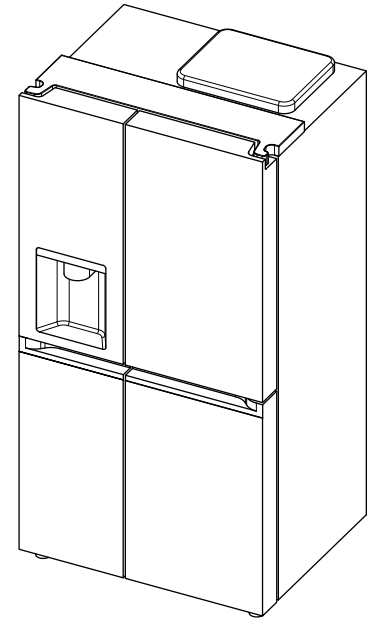
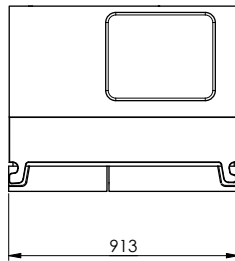
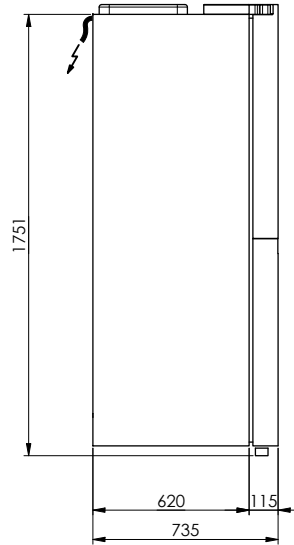
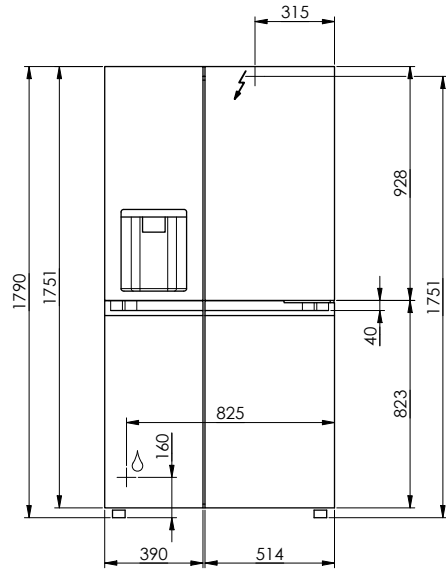


> Weblink
530.000.006.00 / CHF 2.-
Water filter LG
ADQ73693901

Optional accessories

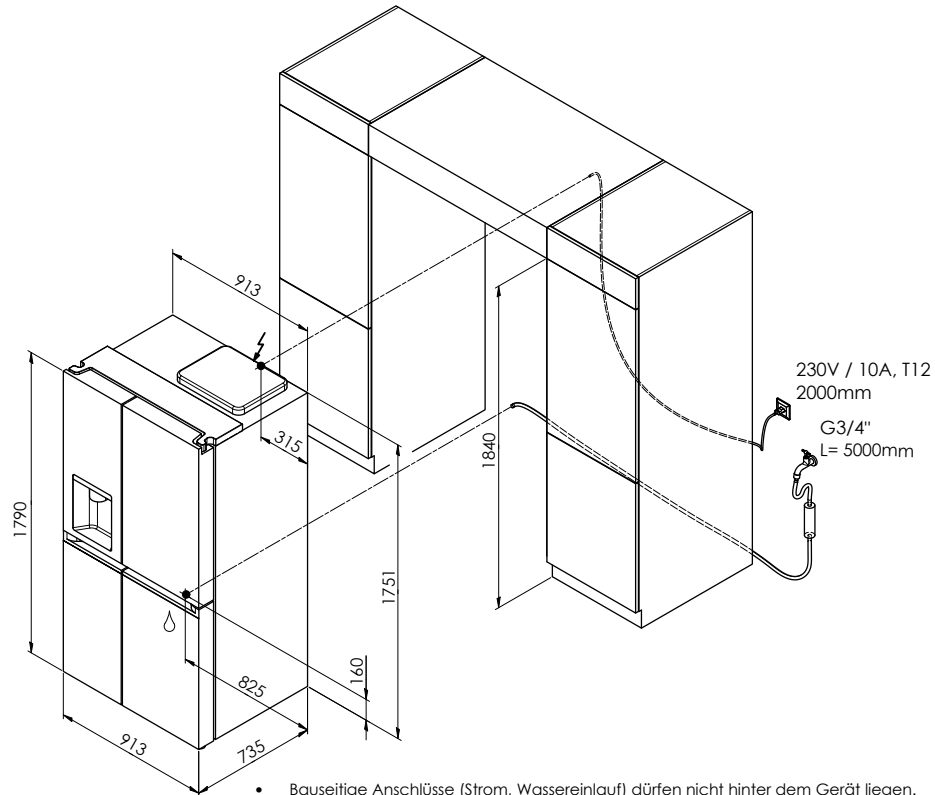


> Weblink
530.000.006.00 / CHF
92.-
Water filter LG
ADQ73693901



SBS2020: 230V / 10A, T12, 2000mm

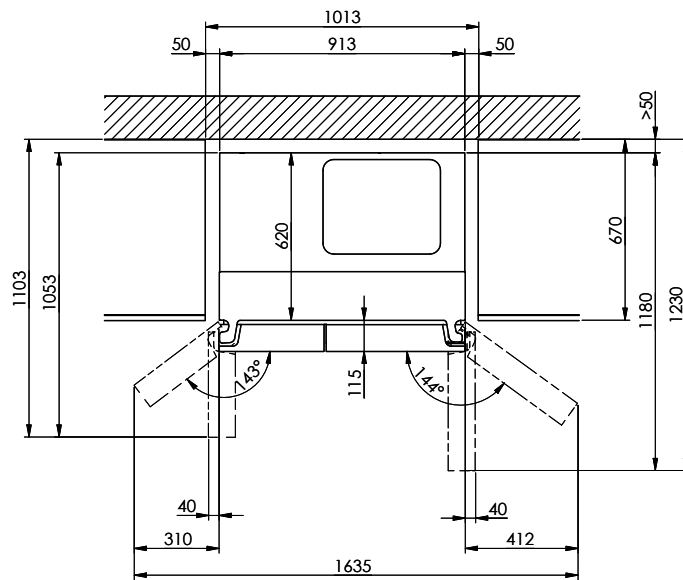
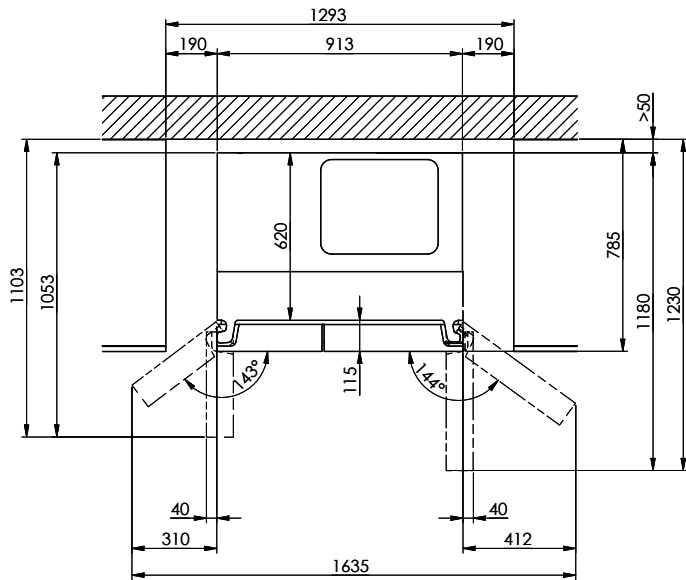
Für dieses Dokument sind die entsprechenden Copyschutzmaßnahmen zu ergreifen. Die Weitergabe an Dritte ohne Verwendung dieses Dokuments ist untersagt. © Copyright 2008 Suter Inox AG. All rights reserved.



- Bauseitige Anschlüsse (Strom, Wassereinlauf) dürfen nicht hinter dem Gerät liegen. Das Gerät muss jederzeit ohne Demontage von Möbelteilen aus der Nische gezogen werden können.
- Les raccordements fournis par le client (électricité, arrivée d'eau) ne doivent pas être situés derrière l'appareil. L'appareil doit pouvoir être extrait de la niche sans démonter aucun élément du meuble.
- Gli allacciamenti a cura del committente (elettricità, entrata dell'acqua) non devono trovarsi dietro l'apparecchio. Dev'essere sempre possibile estrarre l'apparecchio dalla nicchia senza smontare parti di mobili.

Frontbündig
 Façade affleurante
 A filo sulla parte anteriore

Gehäusebündig
 Carrosserie affleurante
 A filo con l'alloggiamento



Für dieses Dokument sind die dazugehörigen Originalzeichnungen zu beziehen bei uns oder bei: Revue, rue Vercellienne 10, Balerna (VS) 39040
 Difer o con l'azienda di riferimento, oppure presso i rivenditori. © Copyright 2003 Suter Inox AG. All rights reserved.