

Samsung Food Center / Side-by-Side SBS330

[> Web link](#)

Model
Samsung Food Center / Side-by-Side SBS330

Energy efficiency class
E (New Label 03.21)

Manufacturer ID
RS65DG5403S9WS

Article no.
500.000.196.00

VRG
46.30

Price CHF
2'393.- excl. VAT

Highlights

- Digital Inverter compressor - 10-year warranty
- Mono Cooling - uniform cooling keeps food fresh for longer
- AI Energy Mode (WLAN) - optimised power consumption
- NoFrost+ technology - the end of de-icing
- All Around Cooling - consistent temperature in the cooling chamber
- Power Cool / Power Freeze - particularly fast cooling / freezing
- Water and ice dispenser
- 4 fully extendable drawers
- 635 litres useful capacity

Product description

Technical specifications

Appliance type: Food Center / Side-by-Side
Design: Freestanding

Efficiency and consumption
Energy efficiency class (from A to G): E

Design
Front colour: Refined Inox
Door handles: Recessed grip

Display and operation
Display: Digital display
Display and lighting: LED
Operation: Touch operation

Home appliance networking
Samsung Smart Home: WiFi Smart Things

Appliance features
Total usable capacity: 635 L
Useful capacity fridge compartment: 417 L
Useful capacity freezer compartment: 218 L
Airborne noise emission: 37 dB(C)
Type of light source: LED | G

Equipment

Cooling compartment
Number of glass shelves (shelves): 4
Number of door compartments (and / or containers): 5
Number of vegetable drawers (containers): 2
Wine compartment: -
Egg trays: 10

Freezer compartment
Number of compartments: 4
Number of baskets, containers, drawers: 2
Ice cube trays: -

Further equipment features

Water and ice cube dispenser in door: Yes
 Clear/View ice maker: Yes
 Water filter: External, 1 pc. HAF-CIN/EXP included in the scope of delivery
 Fresh Zone compartments: -

Cooling technology

Digital inverter compressor: Yes
 NoFrost+ technology: Yes
 Power Cool: Yes
 All-round cooling (Multi-Flow): Yes
 Smart Conversion 5-in-1: -
 Mono Cooling / Twin Cooling / Triple Cooling: Yes / No / No
 Precise Cooling: No
 Flex Zone: -

Design and labelling

Free-standing appliance: Yes
 Built-in appliance: -
 Can be integrated: -
 Number of outer doors / pull-outs: 2 / 4
 Door hinge: Left, right

Dimensions of the appliance

Device dimensions (H x W x D): 1780 x 912 x 716 mm

Electrical connection

Supply voltage: 230 V / 50 Hz
 Connected loads: 220 W
 Fuse protection: 2.5 A
 Length of mains connection cable: 2.0 m
 Mains connection plug: Plug type 12, 10A

Water connection

Water connection: Yes
 Pressure hose G 3/4": 3/4" transition piece included in the scope of delivery
 Can be connected to: All machine outlet valves
 Can be connected to cold / hot water: Yes / -
 Water pressure: 2 to max. 8 bar
 Water inlet: 5 m flexible hose
 Water drain: -

Weight: - Weight

Weight incl. packaging: 119 kg

Accessory

Included accessories



[> Weblink](#)

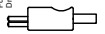
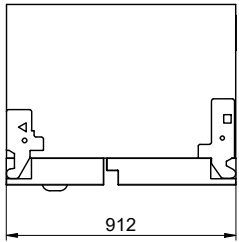
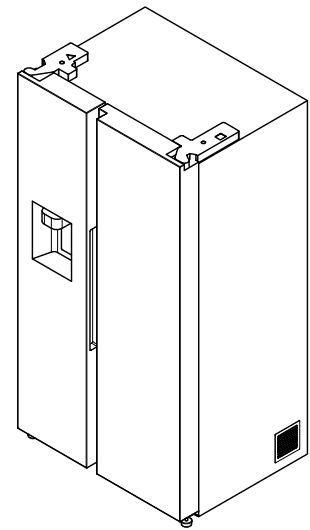
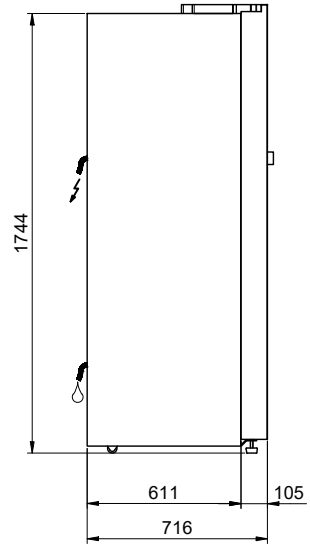
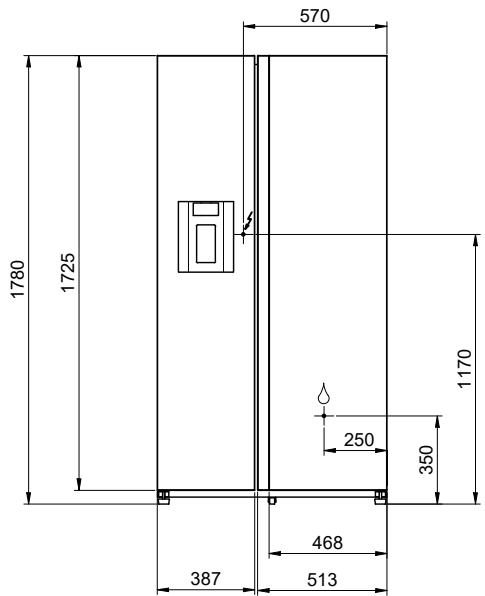
500.000.058.00 / CHF 2.-
 Water filter

Optional accessories



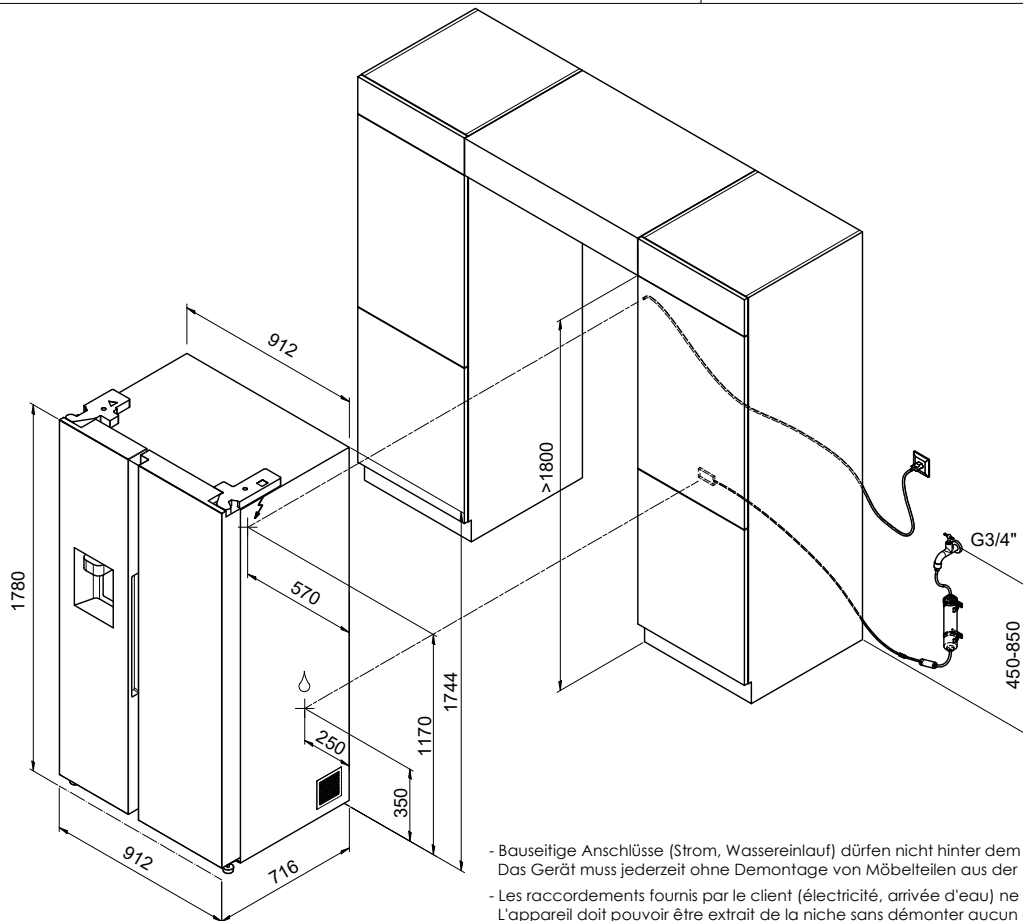
[> Weblink](#)

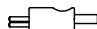
500.000.058.00 / CHF
 86.-
 Water filter



SBS330: 230V / 2.5A, T12, 2000mm

Für dieses Dokument und die darin abgezeichneten Gegenstände behalten wir uns alle Rechte vor. Verwendet dieses Dokument ohne schriftliche Genehmigung ist ausdrücklich untersagt. © Copyright 2020 Suter Inox AG. Alle Rechte vorbehalten.

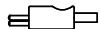
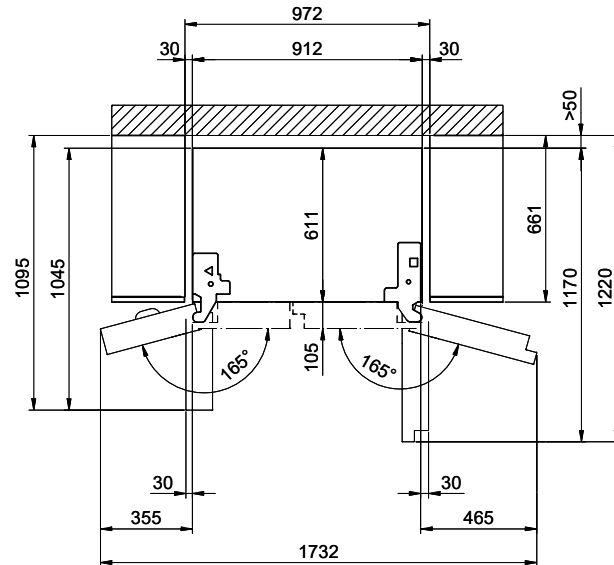
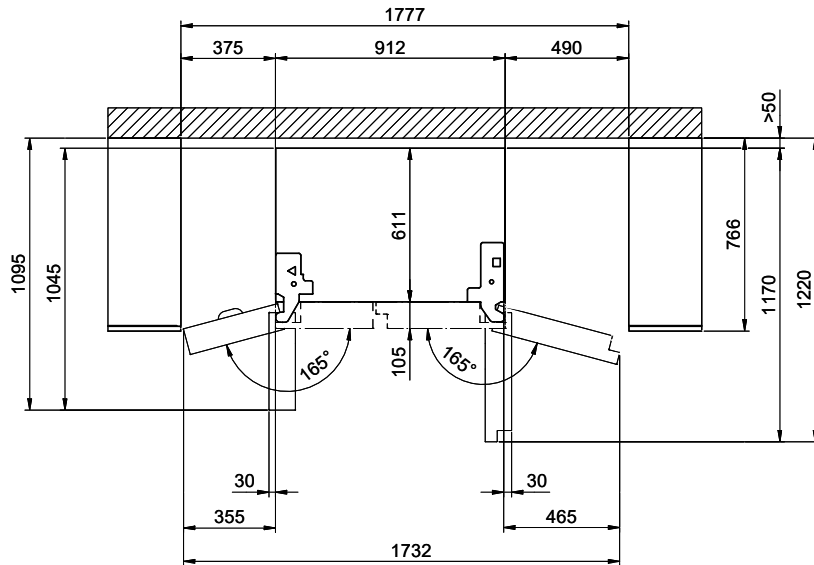


 SBS330: 230V / 2.5A, T12, 2000mm

- Bauseitige Anschlüsse (Strom, Wassereinlauf) dürfen nicht hinter dem Gerät liegen. Das Gerät muss jederzeit ohne Demontage von Möbelteilen aus der Nische gezogen werden können.
- Les raccordements fournis par le client (électricité, arrivée d'eau) ne doivent pas être situés derrière l'appareil. L'appareil doit pouvoir être extrait de la niche sans démonter aucun élément du meuble.
- Gli allacciamenti a cura del committente (elettricità, entrata dell'acqua) non devono trovarsi dietro l'apparecchio. Dev'essere sempre possibile estrarre l'apparecchio dalla nicchia senza smontare parti di mobili.

Frontbündig
 Façade affleurante
 A filo sulla parte anteriore

Gehäusebündig
 Carrosserie affleurante
 A filo con l'alloggiamento



SBS330: 230V / 2.5A, T12, 2000mm