

## Samsung Food Center / Side-by-Side SBS340

[> Web link](#)

**Model**  
Samsung Food Center / Side-by-Side SBS340

**Energy efficiency class**  
E (New Label 03.21)

**Manufacturer ID**  
RS62DG5003S9WS

**Article no.**  
500.000.193.00

**Door hinge**  
right / left

**VRG**  
46.30

**Price CHF**  
1'725.- excl. VAT

## Highlights

- Digital Inverter compressor - 10-year warranty
- Mono Cooling - uniform cooling keeps food fresh for longer
- AI Energy Mode (WLAN) - optimised power consumption
- NoFrost+ technology - the end of de-icing
- Precise Cooling - for maximum temperature accuracy
- All Around Cooling - consistent temperature in the cooling chamber
- Power Cool / Power Freeze - particularly fast cooling / freezing
- SpaceMax - More useful capacity
- Large freezer compartment
- 655 litres useable capacity

## Product description

Construction: **Standalone**  
GTIN-Nr.: **8806095540832**

## Model classification

Energy efficiency class (from A to G): **E**  
Efficiency index: **100**  
Energy consumption per year: **351 kWh**

## Design

Colour: **Refined Inox**  
Door handles: **Grip recess**

## Display and operation

Display: **Digital indicator**  
Display and lighting: **LED**  
Operation: **Touch control**

## Interconnection of household appliances

Samsung Smart Home: **WiFi Smart Things**

## Performance properties

Total useable capacity: **655 L**  
Useable capacity refrigerator: **418 L**  
Of which cellar refrigeration max./min.: -  
Of which cold storage compartment: -  
Useable capacity freezer: **237 L**  
Frost-free fridge / freezer compartment (No Frost): **Yes / Yes**

## Performance

Freezing capacity: **15 kg in 24 hours**  
Storage time in case of outage: **6 hours**  
Sound power level: **37 dB(C)**  
Airborne sound emission class : **C**  
Climate class: **SN N ST T**  
Ambient temperature (min. > max.): **from +10°C to +43°C**  
Interior lighting / energy efficiency class: **LED / G**

## Construction and identification

**Samsung Food Center / Side-by-Side SBS340**[> Web link](#)

Stand-alone unit: **Yes**

Built-in unit: -

Undermount unit: -

Integral: -

Number of outside doors/pull-outs: **2 / 4**

Door hinge: **Left, right**

**Dimensions**

Height: **178 cm**

Width: **91.2 cm**

Depth: **71.6 cm**

Width with open door/pull-out: **174,5 cm**

Depth with open door/pull-out: **117 cm**

Dimensions of unit (H x W x D) : **1780 x 912 x 716 mm**

**Empty weight**

Unit weight: **101 kg**

**Fittings**

Operation Temperature setting: **Touch operation**

Refrigerator temperature display: **Inside**

Temperature display freezer compartment: **Inside**

**Adjustable freezer temperature**

Independent of refrigerator temperature: **Yes**

Together with refrigerator temperature: -

Quick freeze switch with automatic reset: **Yes**

Malfunction / warning signal: **Visual / Acoustic**

Door open: **Visual / Acoustic**

**Refrigerator**

Number of glass shelves (shelves): **4**

Number of door compartments (and/or containers): **5**

Number of vegetable drawers (containers): **2**

Wine cooler: -

Egg trays: **10**

**Freezer**

Interior compartments: **4**

Baskets, containers, interior drawers: **2**

Ice cube trays: **Yes**

**Additional fittings**

Door water and ice dispenser: -

ClearView ice maker: -

Water filter: -

Fresh Zone compartments: -

Pull-out tray: **1**

Water connection: -

**Cooling technology**

Digital inverter compressor: **Yes**

NoFrost+ technology: **Yes**

Power Cool / Power Freeze: **Yes**

All Around Cooling (multi-flow): **Yes**

Metal Cooling: -

Smart Conversion 5-in-1: -

AI Energy Mode (WLAN): **Yes**

Cool Select Plus: -

Twin Cooling: -

Mono Cooling: **Yes**

Precise Cooling: **Yes**

Flex zone: -

Refrigerant: **R-600a**

**Power and water supply**

**Electrical connection**Supply voltage: **230 V / 50Hz**Connection values: **220 W**Fuse protection: **2.5 A**Length power connection: **2.0 m**Power plug **Plug type 12, 10 A****Water connection**

Water connection: -

AquaStopp: -

Pressure hose G 3/4": -

Connectable to: -

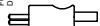
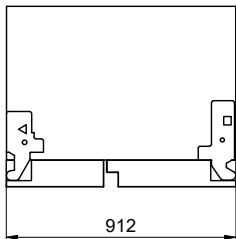
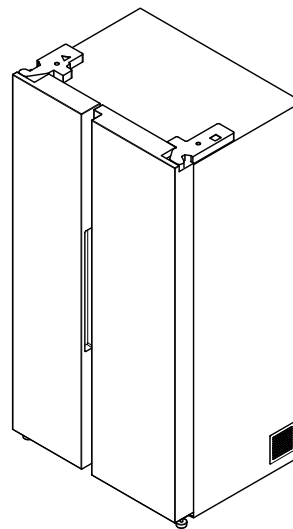
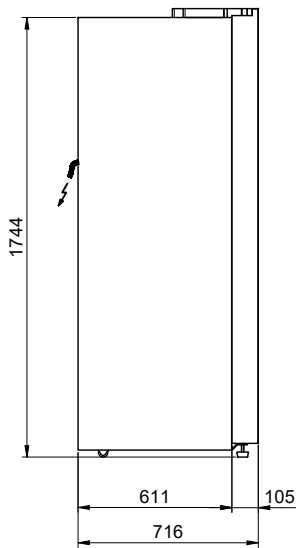
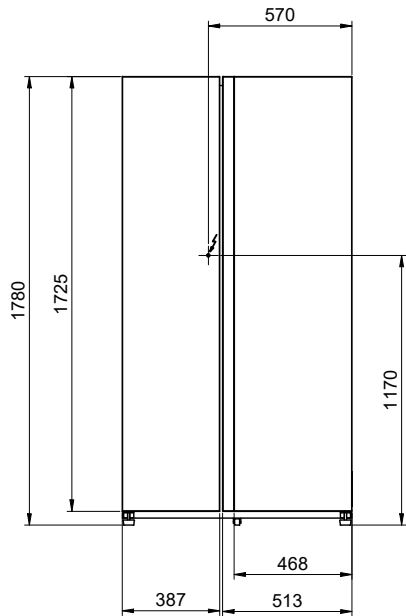
Connectable to cold/hot water: -

Water pressure: -

Water inlet: -

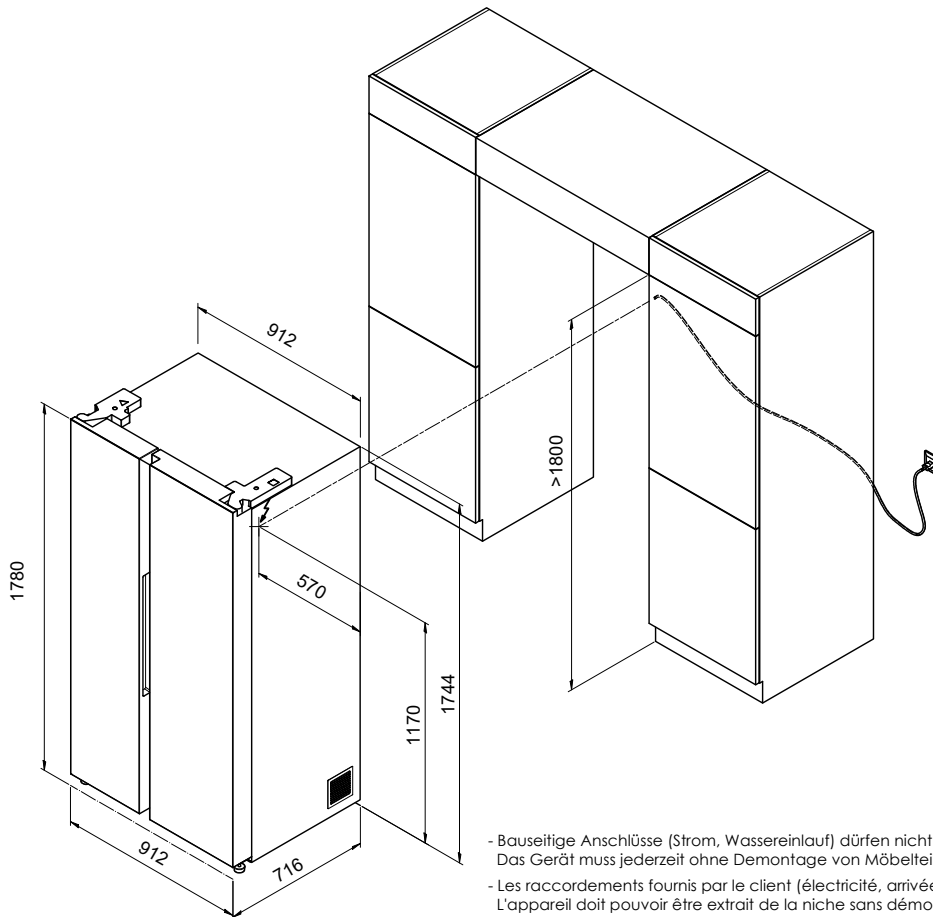
Water outlet: -


**Technical data**Unit height: **1780 mm**Unit width: **912 mm**Unit depth: **716 mm****Packaging**Weight, incl. packaging: **108 kg**Packaging dimensions (H x W x D): **1907 x 980 x 776 mm**



SBS340: 230V / 2.5A, T12, 2000mm

Für dieses Dokument und die darin abgezeichneten Gegenstände behalten wir uns alle Rechte vor. Verwendung, Belanglosheit an  
 diese oder Verwendung eines Teiles, ohne unsere Zustimmung ist verboten. © Copyright 2020 Suter Inox AG. All rights reserved.

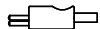
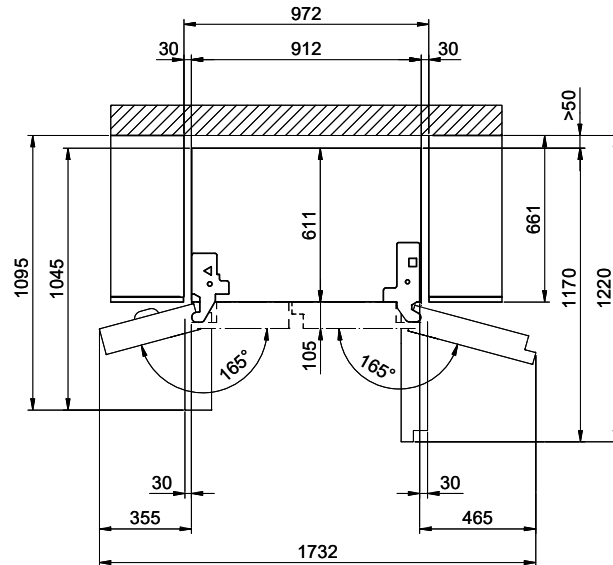
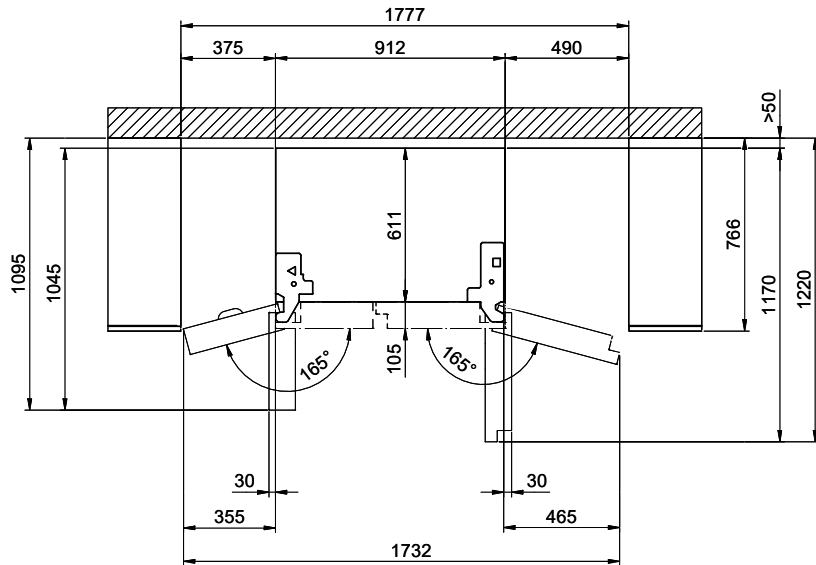


 SBS340: 230V / 2.5A, T12, 2000mm

- Bauseitige Anschlüsse (Strom, Wassereinlauf) dürfen nicht hinter dem Gerät liegen. Das Gerät muss jederzeit ohne Demontage von Möbelteilen aus der Nische gezogen werden können.
- Les raccordements fournis par le client (électricité, arrivée d'eau) ne doivent pas être situés derrière l'appareil. L'appareil doit pouvoir être extrait de la niche sans démonter aucun élément du meuble.
- Gli allacciamenti a cura del committente (elettricità, entrata dell'acqua) non devono trovarsi dietro l'apparecchio. Dev'essere sempre possibile estrarre l'apparecchio dalla nicchia senza smontare parti di mobili.

Frontbündig  
 Façade affleurante  
 A filo sulla parte anteriore

Gehäusebündig  
 Carrosserie affleurante  
 A filo con l'alloggiamento



SBS340: 230V / 2.5A, T12, 2000mm