

## Samsung Food Center / Side-by-Side SBS350

[> Web link](#)

**Model**  
Samsung Food Center / Side-by-Side SBS350

**Energy efficiency class**  
E (New Label 03.21)

**Manufacturer ID**  
RS64DG53R3S9WS

**Article no.**  
500.000.197.00

**VRG**  
46.30

**Price CHF**  
2'547.- excl. VAT

## Highlights

- Digital Inverter compressor - 10-year warranty
- Mono Cooling - uniform cooling keeps food fresh for longer
- AI Energy Mode (WLAN) - optimised power consumption
- NoFrost+ technology - the end of de-icing
- All Around Cooling - consistent temperature in the cooling chamber
- Power Cool / Power Freeze - particularly fast cooling / freezing
- Water and ice dispenser without fixed water connection
- SpaceMax - More useful capacity
- 635 litres useful capacity

## Product description

## Technical specifications

Appliance type: Food Center / Side-by-Side  
Design: Freestanding

**Efficiency and consumption**  
Energy efficiency class (from A to G): E

**Design**  
Front colour: Stainless steel look  
Door handles: Recessed grip

**Display and operation**  
Display: Digital display  
Display and lighting: LED  
Operation: Touch operation, WiFi

**Home appliance networking**  
Samsung Smart Home: WiFi Smart Things

**Appliance features**  
Total usable capacity: 635 L  
Useful capacity fridge compartment: 417 L  
Useful capacity freezer compartment: 218 L  
Airborne noise emission: 37 dB(C)  
Type of light source: LED | G

## Equipment

**Cooling compartment**  
Number of glass shelves (shelves): 4  
Number of door compartments (and / or containers): 5  
Number of vegetable drawers (containers): 2  
Wine compartment: Yes, 5 bottles  
Egg trays: 10

**Freezer compartment**  
Number of compartments: 4  
Number of baskets, containers, drawers: 2  
Ice cube trays: -

**Further equipment features**

Water and ice cube dispenser in door: Yes  
ClearView ice maker: Yes  
Water filter: -  
Fresh Zone compartments: -

**Cooling technology**

Digital inverter compressor: Yes  
NoFrost+ technology: Yes  
Power Cool: Yes  
All-round cooling (Multi-Flow): Yes  
Smart Conversion 5-in-1: -  
Mono Cooling / Twin Cooling / Triple Cooling: Yes / No / No  
Precise Cooling: No  
Flex Zone: -

**Design and labelling**

Free-standing appliance: Yes  
Built-in appliance: -  
Can be integrated: -  
Number of outer doors / pull-outs: 2 / 4  
Door hinge: Left, right

**Dimensions of the appliance**

Device dimensions (H x W x D): 1780 x 912 x 716 mm

**Electrical connection**

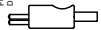
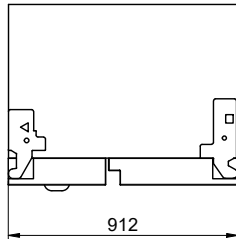
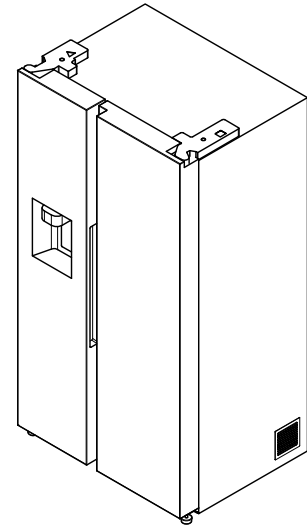
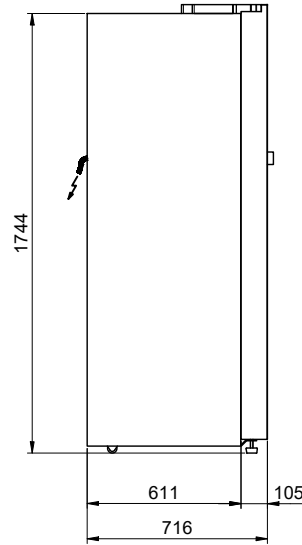
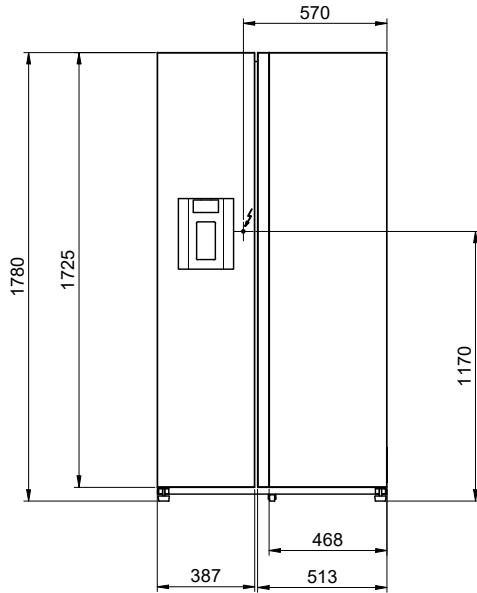
Supply voltage: 230 V / 50 Hz  
Connected loads: 220 W  
Fuse protection: 2.5 A  
Length of mains connection cable: 2.0 m  
Mains connection plug: Plug type 12, 10A

**Water connection**

Water connection: - / Water tank 4.5 L  
Pressure hose G 3/4": -  
Can be connected to: -  
Can be connected to cold / hot water: -  
Water pressure: -  
Water inlet: -  
Water drain: -

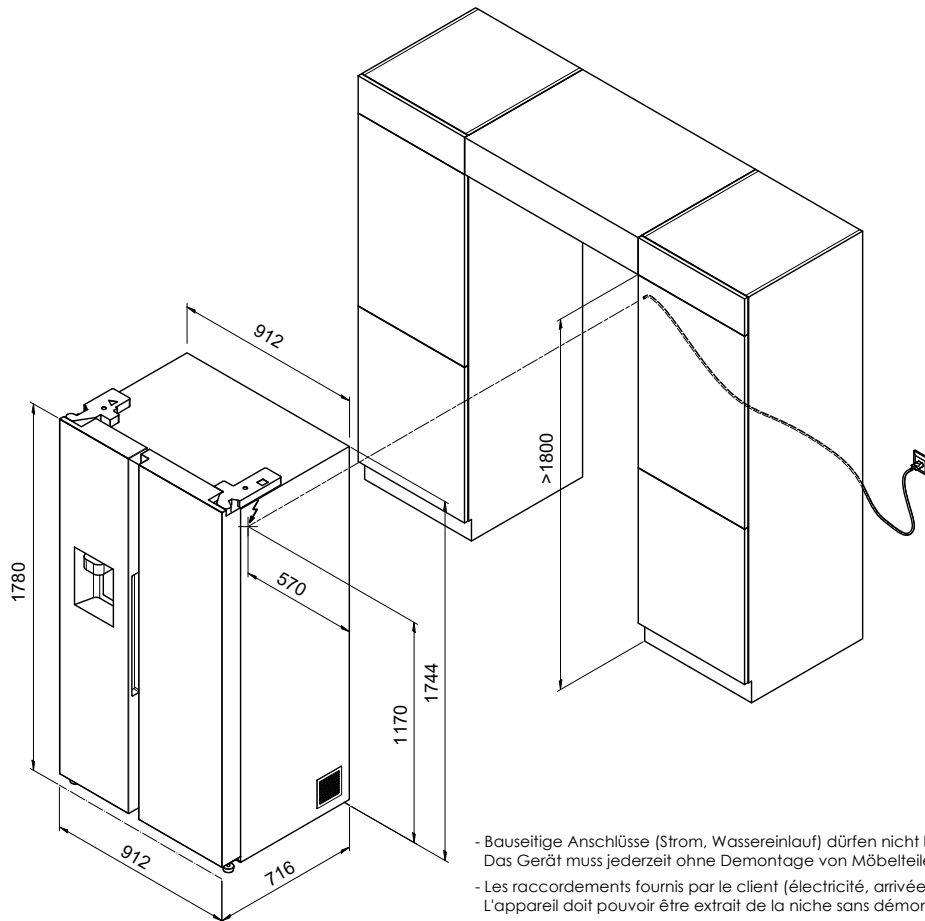
**Weight: - Weight**

Weight incl. packaging: 120 kg



SBS350: 230V / 2.5A, T12, 2000mm

Für dieses Dokument und die darin abgezeichneten Gegenstände behalten wir uns alle Rechte vor. Verwendungs- und Weiterverbreitung ohne schriftliche Genehmigung ist verboten. © Copyright 2020 Suter Inox AG. All rights reserved.

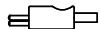
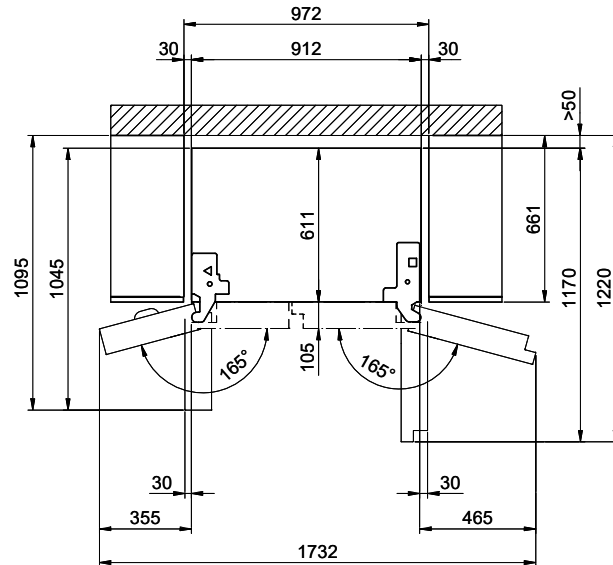
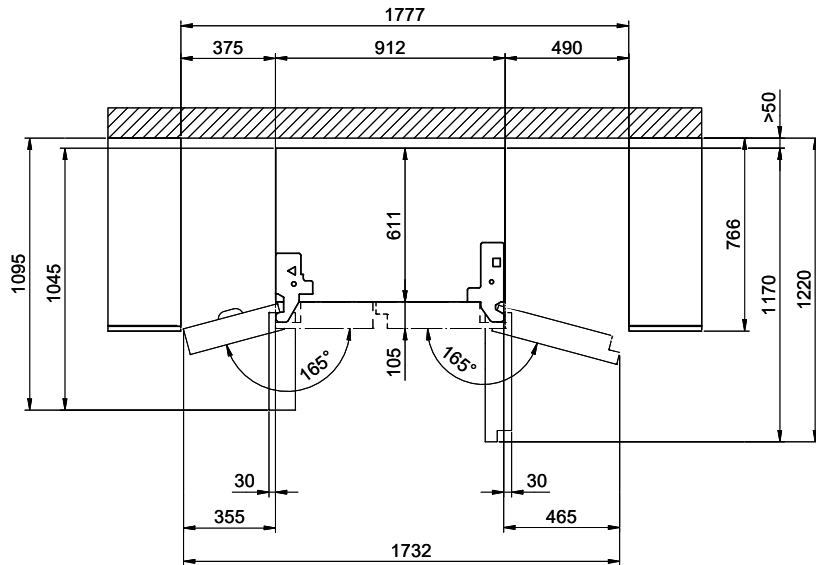


SBS350: 230V / 2.5A, T12, 2000mm

- Bauseitige Anschlüsse (Strom, Wassereinlauf) dürfen nicht hinter dem Gerät liegen. Das Gerät muss jederzeit ohne Demontage von Möbelteilen aus der Nische gezogen werden können.
- Les raccordements fournis par le client (électricité, arrivée d'eau) ne doivent pas être situés derrière l'appareil. L'appareil doit pouvoir être extrait de la niche sans démonter aucun élément du meuble.
- Gli allacciamenti a cura del committente (elettricità, entrata dell'acqua) non devono trovarsi dietro l'apparecchio. Dev'essere sempre possibile estrarre l'apparecchio dalla nicchia senza smontare parti di mobili.

Frontbündig  
 Façade affleurante  
 A filo sulla parte anteriore

Gehäusebündig  
 Carrosserie affleurante  
 A filo con l'alloggiamento



SBS350: 230V / 2.5A, T12, 2000mm