

## Gessi Stelo

[> Web link](#)

**Serie**  
Gessi Stelo

**Version**  
Side Lever U

**Manufacturer ID**  
60307.299

**Article no.**  
40.002.113.00

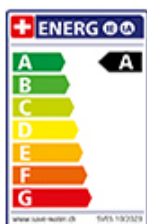
**Model**  
Pull-out spray

**Surface**  
Powder coating black matt

**Price CHF**  
692.- excl. VAT

## Product description

## Label Swiss Energy



**Pivoting Range**  
360°

**Flow Rate**  
6.20 (l / min (3bar))

**Water jet**  
Normal and spray jet

**Type of spout**  
Spout with nylon hose

**Lever position**  
Right

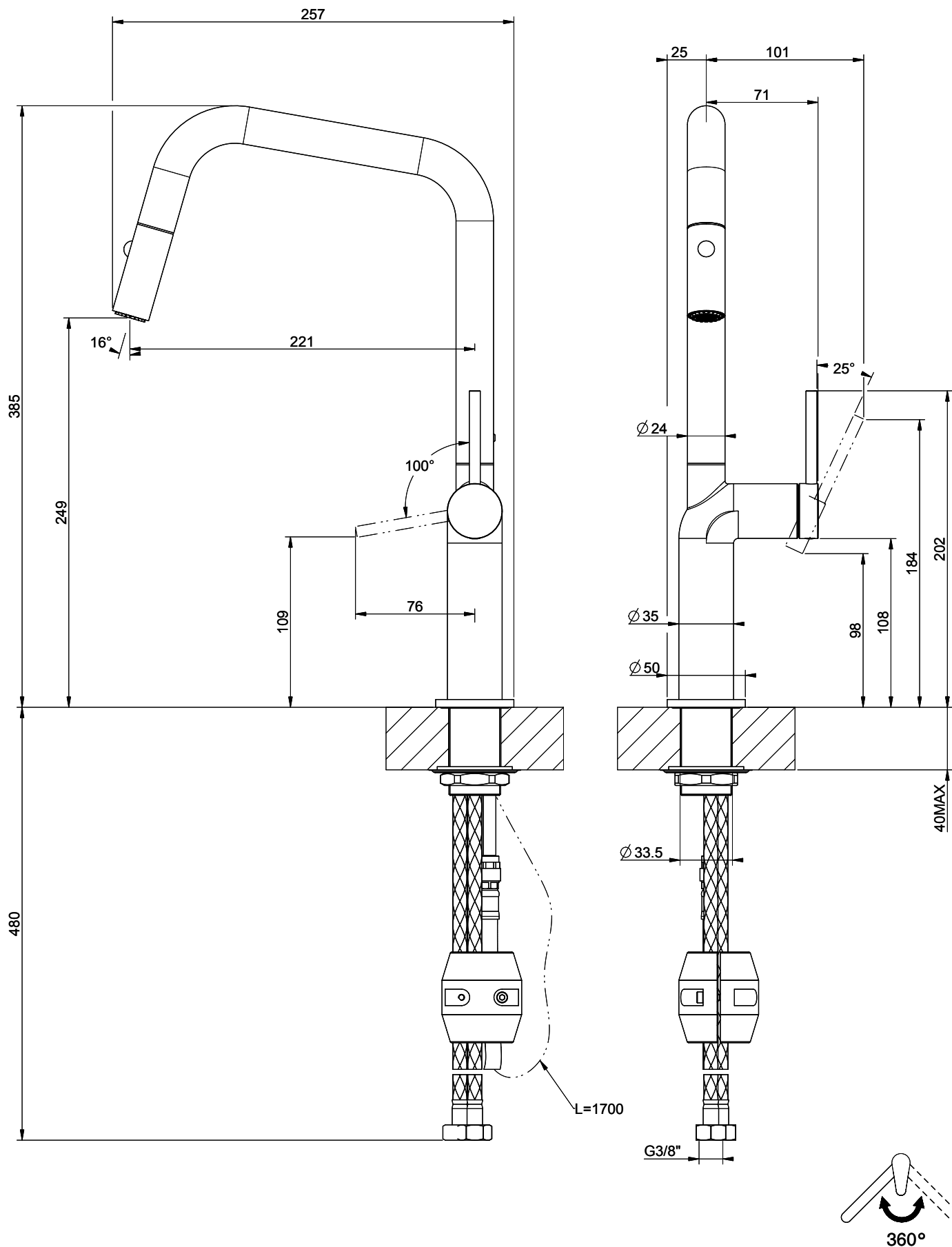
**Water connection**  
Flexible connecting hose

**Extra**  
Ceramic cartridge

## Compatible Articles



[> Weblink](#)  
40.002.155.00 / CHF  
361.-  
Dispenser Nano

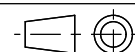


**GESSI**

**STELO 60307**

MISCELATORE LAVELLO ESTRAIBILE

Formato **A4**



Dis.: GPF6030700000G000

Gessi S.p.A. Parco Gessi, 13037 Serravalle Sesia (Vercelli) Italy Tel. 0039 0163 454111 Fax. 0039 0163 453150 www.gessi.com e-mail: gessi@gessi.it

This drawing by its legislation cannot be disclosed or reproduced without a written authorization released by GESSI S.p.A. - 2019 Copyright® GESSI S.p.A.