

Gessi Stelo

> Web link



Serie
Gessi Stelo
Version
Side Lever L
Manufacturer ID
60311.299
Article no.
40.002.118.00

Model
Pull-out spray
Surface
Powder coating black matt

Price CHF
633.- excl. VAT

Product description

Label Swiss Energy



Pivoting Range
360°

Flow Rate
5.60 (l / min (3bar))

Water jet
Normal and spray jet

Type of spout
Spout with nylon hose

Lever position
Right

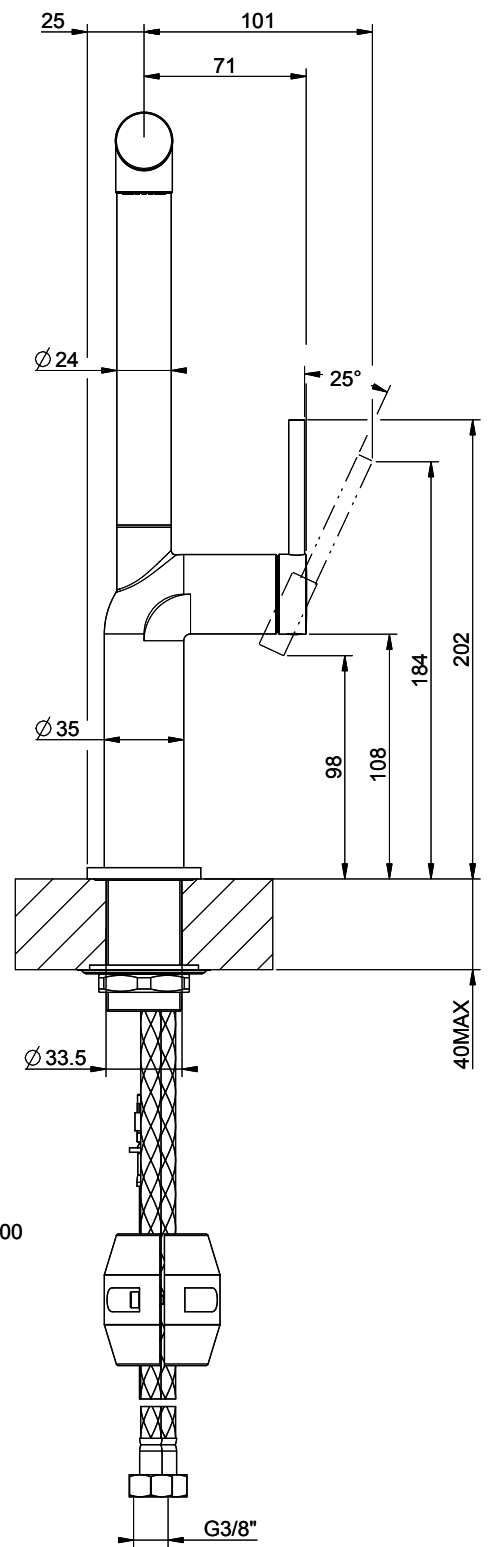
Water connection
Flexible connecting hose

Extra
Ceramic cartridge

Compatible Articles



> Weblink
40.002.155.00 / CHF
361.-
Dispenser Nano

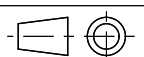


GESSI

STELO 60311

MISCELATORE LAVELLO ESTRAIBILE

Formato **A4**



Dis.: GPF603110000G000

Gessi S.p.A. Parco Gessi, 13037 Serravalle Sesia (Vercelli) Italy Tel. 0039 0163 454111 Fax. 0039 0163 453150 www.gessi.com e-mail: gessi@gessi.it

This drawing by its legislation cannot be disclosed or reproduced without a written authorization released by GESSI S.p.A. - 2019 Copyright® GESSI S.p.A.