

**Linero LIO 18U + LIO 34U**

[> Web link](#)



**Fitting style**  
Undermount bowls  
**Model**  
LIO 18U + LIO 34U  
**Material**  
Stainless steel 18/10  
**Article no.**  
10.105.537.00

**Cabinet size**  
60 cm  
**Basket**  
3½" Tipò  
3½" TouchFlow Desino  
**Surface**  
Matt  
**VRG**  
0.19  
**Price CHF**  
2'398.- excl. VAT

**Dimensions**  
180x400x140mm  
**Corner radius**  
15 mm

**Overflow and drain technology**

**Basket pre-assembly**



Desino: Concealed drain with basket underneath - type M



Tipò Desino: Concealed drain with basket underneath - type M



Swivelling TouchFlow overflow cap



Swivelling overflow cap

**Overflow and drain technology**

**Prices (as of 28.06.26/excl. VAT)**

Model	Material	Basket	Article no.	Price CHF
Linero LIO 18U+34U	Stainless steel 18/10, Matt	3½" Tipò Desino	10.105.539.00	2'188.- > Weblink
		3½" Space-saving Desino	10.105.538.00	2'188.- > Weblink
		3½" TouchFlow Desino	10.105.537.00	2'398.- > Weblink

**Product description**

Combination LIO 18U + LIO 34U: Requires cut-out on both sides of the carcass wall, with enlarged cut-out for LIO 18U.

The Desino Drain Sieve is dishwasher-safe and can be cleaned completely or separately up to a maximum temperature of 65°C.

**Accessory**

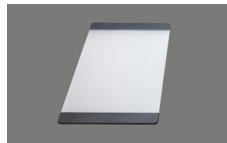
Optional accessories



> Weblink  
40.000.912.00 / CHF 106.-  
Colander, perforated



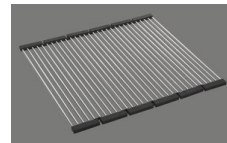
> Weblink  
40.001.289.00 / CHF 106.-  
Colander, unperforated



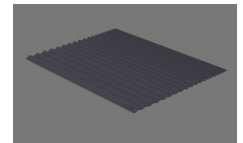
> Weblink  
40.000.909.00 / CHF 151.-  
Chopping board, made of glass, white



> Weblink  
40.001.277.00 / CHF 151.-  
Chopping board, made of plastic



> Weblink  
40.001.138.00 / CHF 125.-  
Inox Pad



> Weblink  
40.002.008.00 / CHF 51.-  
Maro dish drainer mat, Dark Grey

**Spares**

You can find the compatible range of spares here > [Weblink](#)

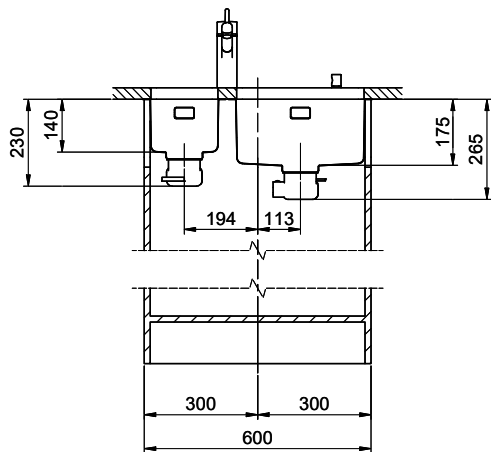
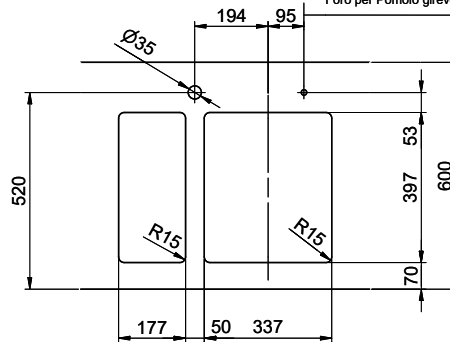
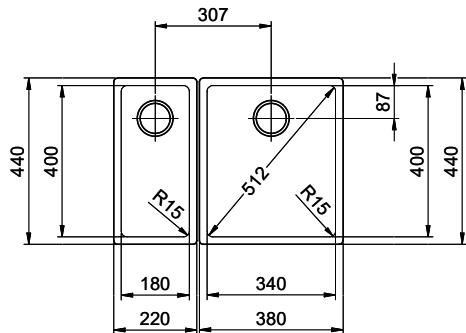
# Linero LIO 18U + LIO 34U Desino

Masse / Ausschnittkontur  
 Dimensions / contour de découpe  
 Dimensioni / contorno dell'apertura

Bohrung für Zug- und Druckknöpfe Ø14  
 Bohrung für Drehknopf Ø25

Trou pour boutons et Pousoirs de commande Ø14  
 Trou pour bouton rotatif Ø25

Foro per Pomelli tiranti e Pomelli pulsanti Ø14  
 Foro per Pomolo girevoli Ø25



Kombination LIO 18 + LIO 34: Erfordert beidseitigen Ausschnitt der Korpuswand.

Combinaison LIO 18 + LIO 34: Exige la découpe de la paroi de l'élément de deux côtés.

Combinazione LIO 18 + LIO 34: Richiede un intaglio della parete dell'armadio su entrambi i lati.

