

Linero LIO 34U

[> Web link](#)



Fitting style
Undermount bowls

Model
LIO 34U

Material
Stainless steel 18/10

Article no.
10.105.218.00

Cabinet size
40 cm

Basket
3½" eFlow Desino

Surface
Matt

VRG
0.19

Price CHF
1'590.- excl. VAT

Dimensions
340x400x175mm

Corner radius
15 mm

Overflow and drain technology



Desino: Concealed drain with basket underneath - type M



Concealed overflow eFlow

Basket pre-assembly
Basket pre-assembly ex works

Dispenser - mounting option
Free choice of positioning

Overflow and drain technology
Standard pull-up knob

Prices (as of 06.05.26/excl. VAT)

Model	Material	Basket	Article no.	Price CHF
Linero LIO 34U	Stainless steel 18/10, Matt	3½" Tipo Desino	10.105.533.00	1'265.- > Weblink
		3½" Space-saving Desino	10.105.220.00	1'265.- > Weblink
		3½" TouchFlow Desino	10.105.219.00	1'475.- > Weblink
		3½" eFlow Desino	10.105.218.00	1'590.- > Weblink

Product description

Combination LIO 18U + LIO 34U: Requires cut-out on both sides of the carcass wall, with enlarged cut-out for LIO 18U.

The Desino Drain Sieve is dishwasher-safe and can be cleaned completely or separately up to a maximum temperature of 65°C.

Accessory

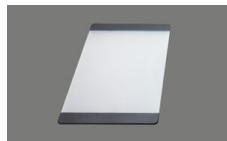
Optional accessories



> Weblink
40.000.912.00 / CHF 106.-
Colander, perforated



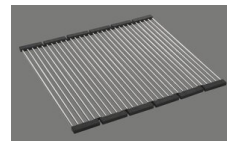
> Weblink
40.001.289.00 / CHF 106.-
Colander, unperforated



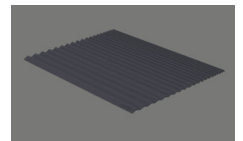
> Weblink
40.000.909.00 / CHF 151.-
Chopping board, made of glass, white



> Weblink
40.001.277.00 / CHF 151.-
Chopping board, made of plastic



> Weblink
40.001.138.00 / CHF 125.-
Inox Pad



> Weblink
40.002.008.00 / CHF 51.-
Maro dish drainer mat, Dark Grey

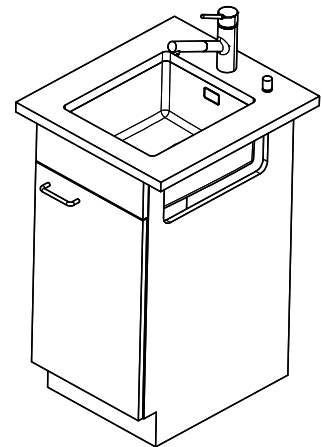
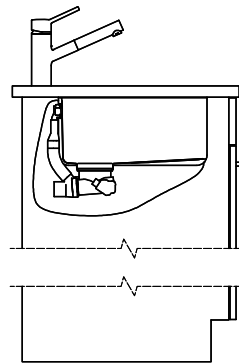
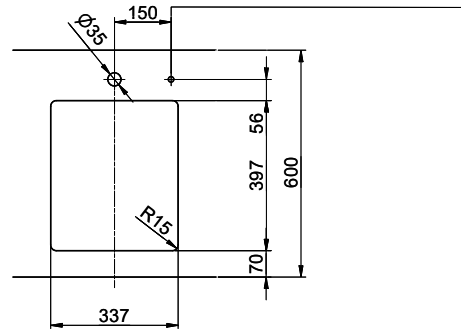
Spares

You can find the compatible range of spares here [> Weblink](#)

Linero LIO 34U Desino

Masse / Ausschnittkontur
Dimensions / contour de découpe
Dimensioni / contorno dell'apertura

Bohrung für Zug- und Druckknöpfe Ø14
 Bohrung für Drehknopf Ø25
 Trou pour boutons et Poussoirs de commande Ø14
 Trou pour bouton rotatif Ø25
 Foro per Pomelli tiranti e Pomelli pulsanti Ø14
 Foro per Pomolo girevoli Ø25



Für dieses Dokument und der darin abgezeichneten Gegenstände behalten wir uns alle Rechte vor. Verantwortlich: Bauelemente an
 Diese sind Verwendung dieses Zeichens, ohne unsere Zustimmung ist verboten. © Copyright 2020 Suter Inox AG. All rights reserved.