

Linero LIO 45U

[> Web link](#)



Fitting style
Undermount bowls

Model
LIO 45U

Material
Stainless steel 18/10

Article no.
10.105.226.00

Cabinet size
50 cm

Basket
3½" Space-saving Desino

Surface
Matt

Price CHF
1'353.- excl. VAT

Dimensions
450x400x175mm

Corner radius
15 mm

Overflow and drain technology



Desino: Concealed drain with basket underneath - type M



Swivelling overflow cap

Basket pre-assembly
Basket pre-assembly ex works

Dispenser - mounting option
Free choice of positioning

Overflow and drain technology
Standard pull-up knob



Advant

Prices (as of 26.06.26/excl. VAT)

Model	Material	Basket	Article no.	Price CHF
Linero LIO 45U	Stainless steel 18/10, Matt	3½" Tipo Desino	10.105.547.00	1'353.- > Weblink
		3½" Space-saving Desino	10.105.226.00	1'353.- > Weblink
		3½" TouchFlow Desino	10.105.225.00	1'563.- > Weblink
		3½" eFlow Desino	10.105.224.00	1'678.- > Weblink

Product description

The Desino Drain Sieve is dishwasher-safe and can be cleaned completely or separately up to a maximum temperature of 65°C.

Accessory

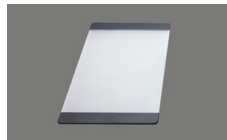
Optional accessories



> Weblink
40.000.912.00 / CHF 106.-
Colander, perforated



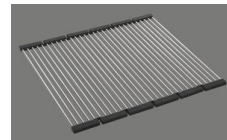
> Weblink
40.001.289.00 / CHF 106.-
Colander, unperforated



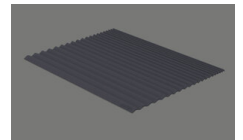
> Weblink
40.000.909.00 / CHF 151.-
Chopping board, made of glass, white



> Weblink
40.001.277.00 / CHF 151.-
Chopping board, made of plastic



> Weblink
40.001.138.00 / CHF 125.-
Inox Pad



> Weblink
40.002.008.00 / CHF 51.-
Maro dish drainer mat, Dark Grey

Spares

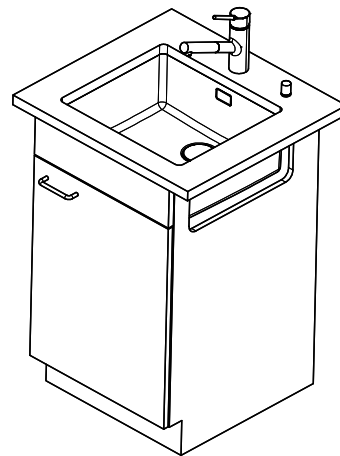
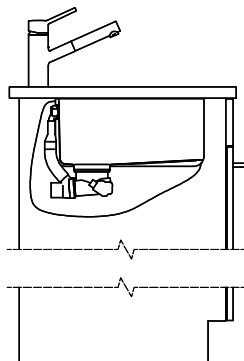
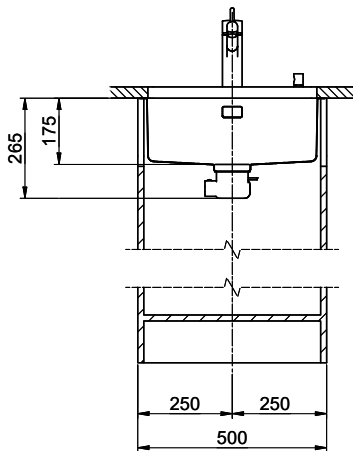
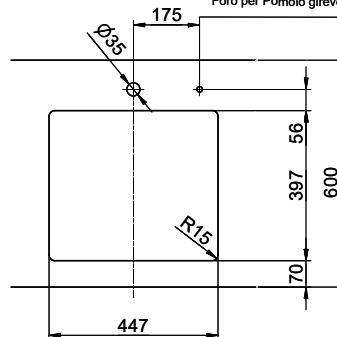
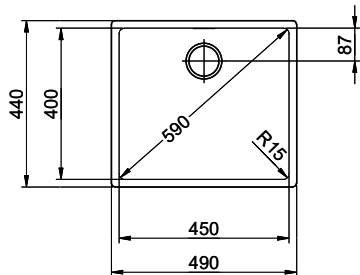
You can find the compatible range of spares here [> Weblink](#)

Linero LIO 45U Desino

Masse / Ausschnittkontur
 Dimensions / contour de découpe
 Dimensioni / contorno dell'apertura



Bohrung für Zug- und Druckknöpfe Ø14
 Bohrung für Drehknopf Ø25
 Trou pour boutons et Pousoirs de commande Ø14
 Trou pour bouton rotatif Ø25
 Foro per Pomelli tiranti e Pomelli pulsanti Ø14
 Foro per Pomolo girevoli Ø25



Für dieses Dokument und die darin abgezeichneten Gegenstände behalten wir uns alle Rechte vor. Verantwortlich: Bauelemente an
 Diese Seite: Verwendung dieses Symbols ohne unsere Zustimmung ist verboten. © Copyright 2020 Suter Inox AG. All rights reserved.