

Set WM120 (lft)+ TR120 (lft)+ SKK-DF: Offer of washer/dryer tower set

[> Web link](#)



Model

Samsung Washing machine WM120
 Samsung Dryer TR120 (left)
 Combination set SKK-DF washer/dryer tower SKK-DF
 WM120, WM130, WM40

Energy efficiency class

A (New Label 03.21)
 C

Article no.

500.000.138.00

Appliance type / construction type

Washer/dryer tower

Door hinge

Left
 Left

VRG

36.00

Price CHF

2'644.- excl. VAT

Highlights

- For a detailed description of the washing machine and dryer supplied in this set, please refer to the separate product pages of these two appliances.

Product description

Set offer «WM120 + TR120»

Scope of delivery set offer:

- 1 washing machine WM120 (500.000.121): door hinge left (not changeable)
- 1 Dryer TR120 (500.000.124): door hinge left
- 1 Connection set SKK-DF (500.000.063)

Accessory

Included accessories



[> Weblink](#)

500.000.063.00 / CHF 2.-
 Combination set SKK-DF
 washer/dryer tower
 SKK-DF WM120,
 WM130, WM40

Optional accessories



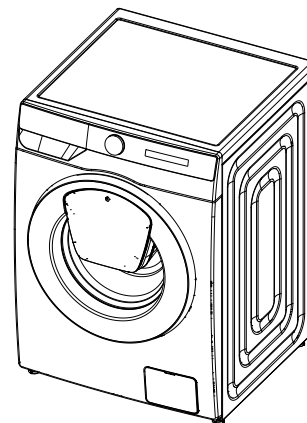
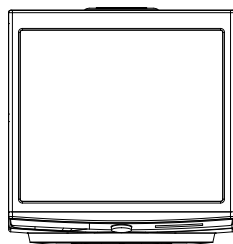
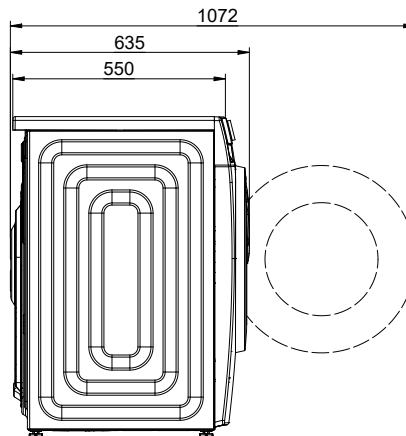
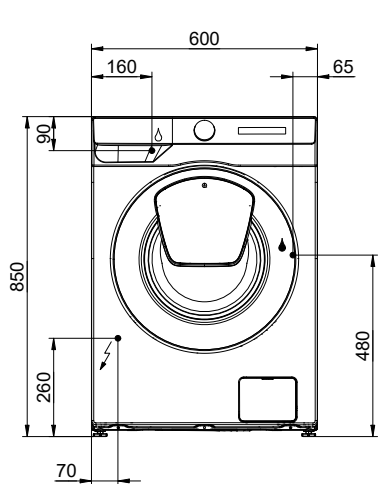
[> Weblink](#)


500.000.065.00 / CHF
 59.-
 Lint filter





[> Weblink](#)

500.000.066.00 / CHF
 49.-
 Lint filter interior

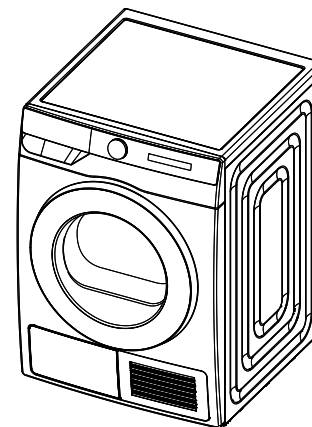
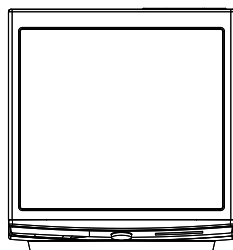
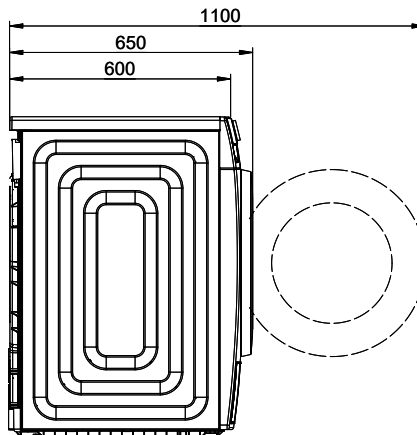
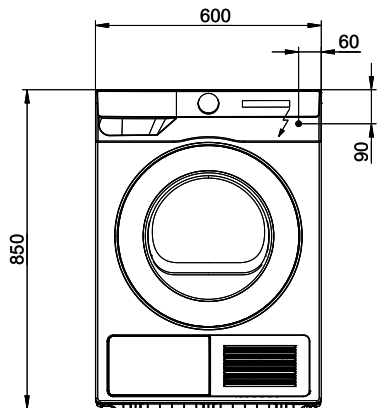



 230V 10A T12 - L=2000mm

 Wasser Zulauf

 Wasser Ablauf

Produktzeichnungen sind das geistige Eigentum der Suter Inox AG. Die Weitergabe, Vervielfältigung, Verbreitung, das Kopieren oder das Herstellen von Kopien ist ohne schriftliche Genehmigung der Suter Inox AG. Copyright © 2023 Suter Inox AG. Alle Rechte vorbehalten.



 230V / 10A T12 L=1500mm