

Silver Star SIL 55U

[> Web link](#)



Fitting style
Undermount bowls

Model
SIL 55U

Material
Stainless steel 18/10

Article no.
10.103.286.00

Cabinet size
60 cm

Basket
3½" Space-saving

Surface
Polished

Price CHF
1'084.- excl. VAT

Dimensions
550x420x175mm

Corner radius
50 mm

Overflow and drain technology



Sieve - type S



Concealed overflow

Basket pre-assembly

Assembly of the valve at the factory

Dispenser - mounting option

Free choice of positioning

Overflow and drain technology

Standard pull-up knob



Prime

Prices (as of 05.05.26/excl. VAT)

Model	Material	Basket	Article no.	Price CHF	
Silver Star SIL 55U	Stainless steel 18/10, Matt	3½" Tipo	10.103.289.00	1'043.-	> Weblink
	Stainless steel 18/10, Polished	3½" Tipo	10.103.287.00	1'043.-	> Weblink
	Stainless steel 18/10, Matt	3½" Space-saving	10.103.288.00	1'084.-	> Weblink
	Stainless steel 18/10, Polished	3½" Space-saving	10.103.286.00	1'084.-	> Weblink

Accessory

Optional accessories



> Weblink
40.000.914.00 / CHF
106.-
Colander, perforated



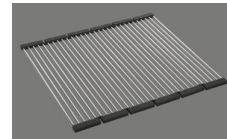
> Weblink
40.001.290.00 / CHF
106.-
Colander, unperforated



> Weblink
40.000.915.00 / CHF
151.-
Chopping board, made of
glass, white



> Weblink
40.001.147.00 / CHF
151.-
Chopping board, made of
wood



> Weblink
40.001.138.00 / CHF
125.-
Inox Pad

Compatible Articles



> Weblink
40.001.314.00 / CHF
155.-
Dispenser Nano

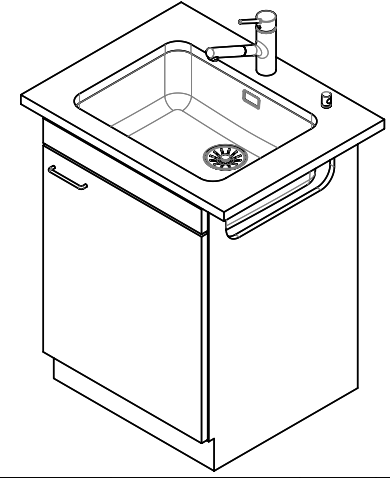
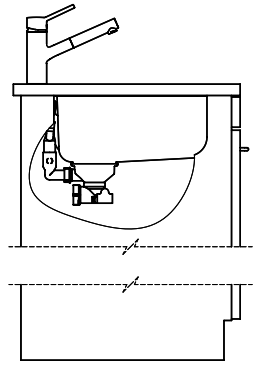
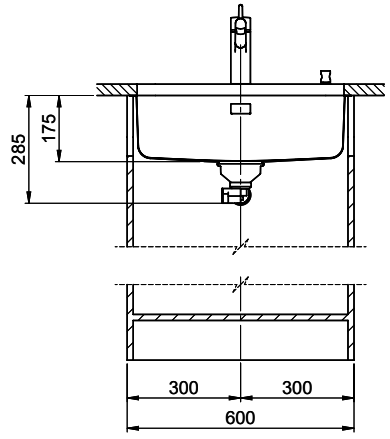
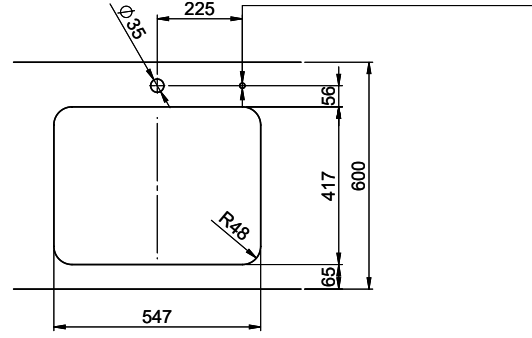
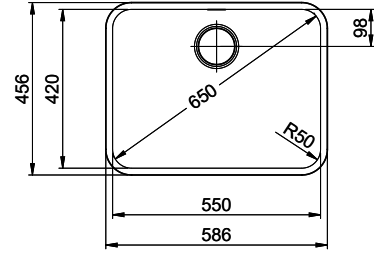


> Weblink
40.001.024.00 / CHF
427.-
Müllex Boxx 55/60-R Bio

Spares

You can find the compatible range of spares here [> Weblink](#)

Bohrung für Zug- und Druckknöpfe ø14
 Bohrung für Drehknopf ø25
 Trou pour boutons et Poussoirs de commande ø14
 Trou pour bouton rotatif ø25
 Foro per Pomelli tiranti e Pomelli pulsanti ø14
 Foro per Pomolo girevoli ø25



Für dieses Dokument und den darin dargestellten Gegenstand bestehen wir uns als Rechte vor: Verwirklichung, Belassung an
 Günstiger Verwendung sowie Vorzug einer mehr Zuehmung der Forderung. © Copyright 2020 Suter Inox AG. Alle Rechte vorbehalten.