

## Vantis V 40U

[> Web link](#)



**Fitting style**  
Undermount bowls

**Model**  
V 40U

**Material**  
Stainless steel 18/10

**Article no.**  
10.105.259.00

**Cabinet size**  
45 cm

**Basket**  
3½" Space-saving Desino

**Surface**  
Matt

**Price CHF**  
868.- excl. VAT

**Dimensions**  
400x420x175mm

**Corner radius**  
35 mm

### Overflow and drain technology



Desino: Concealed drain with basket underneath - type M



Swivelling overflow cap

### Basket pre-assembly

Basket pre-assembly ex works

### Dispenser - mounting option

Free choice of positioning

### Overflow and drain technology

#### Standard pull-up knob



Advant

### Prices (as of 14.05.26/excl. VAT)

Model	Material	Basket	Article no.	Price CHF	
Vantis V 40U	Stainless steel 18/10, Matt	3½" Tipo Desino	10.105.627.00	868.-	> Weblink
		3½" Space-saving Desino	10.105.259.00	868.-	> Weblink
		3½" TouchFlow Desino	10.105.258.00	1'078.-	> Weblink
		3½" eFlow Desino	10.105.257.00	1'193.-	> Weblink

### Product description

#### Cleaning

The Desino Drain Sieve is dishwasher-safe and can be cleaned completely or separately up to a maximum temperature of 65°C.

### Accessory

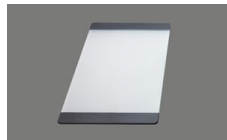
#### Optional accessories



> Weblink  
40.000.914.00 / CHF 106.-  
Colander, perforated



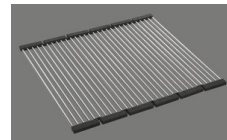
> Weblink  
40.001.290.00 / CHF 106.-  
Colander, unperforated



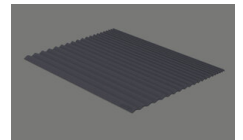
> Weblink  
40.000.915.00 / CHF 151.-  
Chopping board, made of glass, white



> Weblink  
40.001.147.00 / CHF 151.-  
Chopping board, made of wood



> Weblink  
40.001.138.00 / CHF 125.-  
Inox Pad



> Weblink  
40.002.008.00 / CHF 51.-  
Maro dish drainer mat, Dark Grey

### Spares

You can find the compatible range of spares here [> Weblink](#)

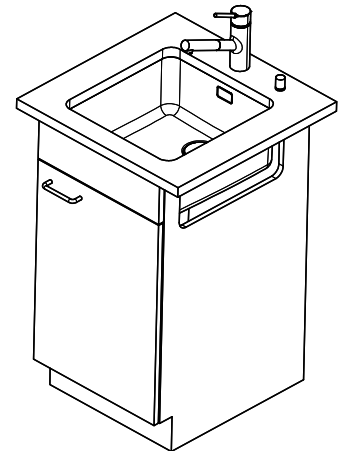
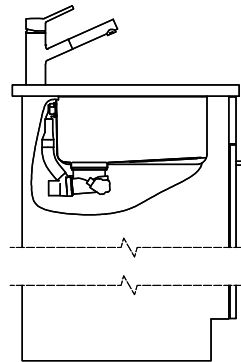
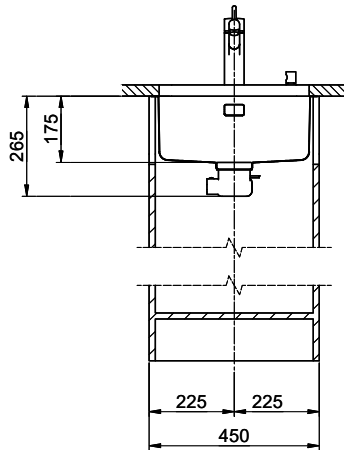
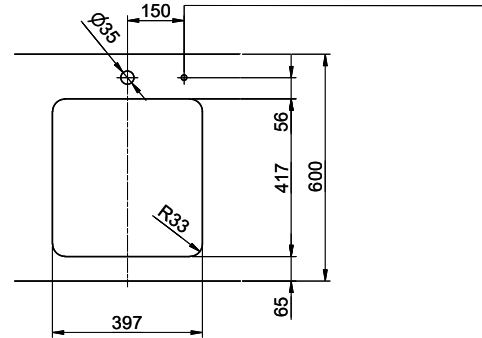
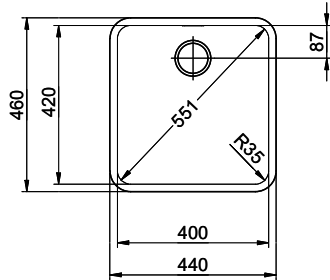
# Vantis V 40U Desino

**Masse / Ausschnittkontur**  
**Dimensions / contour de découpe**  
**Dimensioni / contorno dell'apertura**

Bohrung für Zug- und Druckknöpfe Ø14  
 Bohrung für Drehknopf Ø25

Trou pour boutons et Pousoirs de commande Ø14  
 Trou pour bouton rotatif Ø25

Foro per Pomelli tiranti e Pomelli pulsanti Ø14  
 Foro per Pomolo girevoli Ø25



Für dieses Dokument und der darin angegebenen Gegenstände behalten wir uns alle Rechte vor. Verwendet dieses Dokument an  
 Dritte ohne Genehmigung dieses Herstellers, ohne unsere Zustimmung ist verboten. © Copyright 2020 Suter Inox AG. All rights reserved.