

Vantis V 45U

[> Web link](#)



**Fitting style**  
Undermount bowls

**Model**  
V 45U

**Material**  
Stainless steel 18/10

**Article no.**  
10.103.891.00

**Cabinet size**  
50 cm

**Basket**  
3½" Tipo

**Surface**  
Matt

**Price CHF**  
691.- excl. VAT

**Dimensions**  
450x420x175mm

**Corner radius**  
35 mm

**Overflow and drain technology**



Sieve - type S



Swivelling overflow cap

**Basket pre-assembly**  
Assembly of the valve at the factory

**Dispenser - mounting option**  
Free choice of positioning

**Overflow and drain technology**  
Standard pull-up knob

**Prices (as of 23.06.26/excl. VAT)**

Model	Material	Basket	Article no.	Price CHF
Vantis V 45U	Stainless steel 18/10, Matt	3½" Tipo	10.103.891.00	691.- > Weblink
		3½" Space-saving	10.103.890.00	740.- > Weblink
		3½" TouchFlow	10.103.889.00	938.- > Weblink

**Accessory**

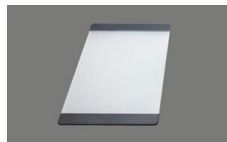
Optional accessories



> Weblink  
40.000.914.00 / CHF 106.-  
Colander, perforated



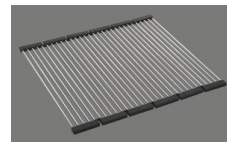
> Weblink  
40.001.290.00 / CHF 106.-  
Colander, unperforated



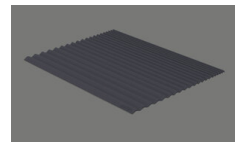
> Weblink  
40.000.915.00 / CHF 151.-  
Chopping board, made of glass, white



> Weblink  
40.001.147.00 / CHF 151.-  
Chopping board, made of wood



> Weblink  
40.001.138.00 / CHF 125.-  
Inox Pad



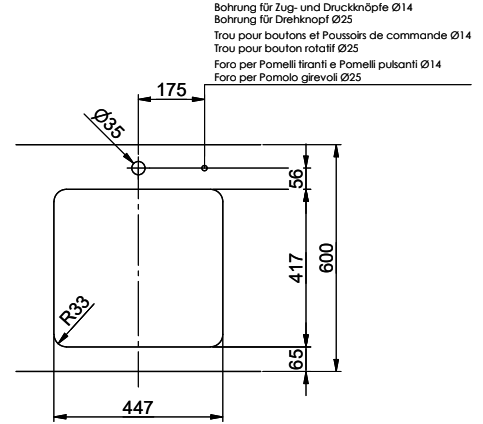
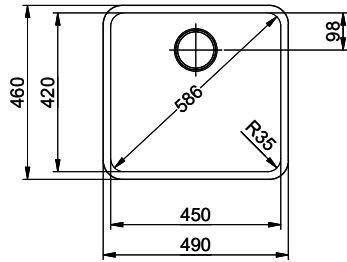
> Weblink  
40.002.008.00 / CHF 51.-  
Maro dish drainer mat, Dark Grey

**Spares**

You can find the compatible range of spares here [> Weblink](#)

# Vantis V 45U

Masse / Ausschnittkontur  
 Dimensions / contour de découpe  
 Dimensioni / contorno dell'apertura



Bohrung für Zug- und Druckknöpfe Ø14  
 Bohrung für Drehknopf Ø25  
 Trou pour boutons et Poussoirs de commande Ø14  
 Trou pour bouton rotatif Ø25  
 Foro per Pomelli tiranti e Pomelli pulsanti Ø14  
 Foro per Pomolo girevoli Ø25

