

Vantis V 55U

[> Web link](#)



Fitting style
Undermount bowls
Model
V 55U
Material
Stainless steel 18/10
Article no.
10.103.901.00

Cabinet size
60 cm
Basket
3½" TouchFlow
Surface
Matt
VRG
0.19
Price CHF
1'273.- excl. VAT

Dimensions
550x420x175mm
Corner radius
35 mm

Overflow and drain technology



Sieve - type S



Swivelling TouchFlow overflow cap

Basket pre-assembly
Assembly of the valve at the factory

Dispenser - mounting option
Free choice of positioning

Overflow and drain technology
Standard pull-up knob

Prices (as of 21.06.26/excl. VAT)

Model	Material	Basket	Article no.	Price CHF
Vantis V 55U	Stainless steel 18/10, Matt	3½" Tipo	10.103.903.00	1'026.- > Weblink
		3½" Space-saving	10.103.902.00	1'075.- > Weblink
		3½" TouchFlow	10.103.901.00	1'273.- > Weblink

Accessory

Optional accessories



> Weblink
40.000.914.00 / CHF 106.-
Colander, perforated



> Weblink
40.001.290.00 / CHF 106.-
Colander, unperforated



> Weblink
40.000.915.00 / CHF 151.-
Chopping board, made of glass, white



> Weblink
40.001.147.00 / CHF 151.-
Chopping board, made of wood



> Weblink
40.001.138.00 / CHF 125.-
Inox Pad



> Weblink
40.002.008.00 / CHF 51.-
Maro dish drainer mat, Dark Grey

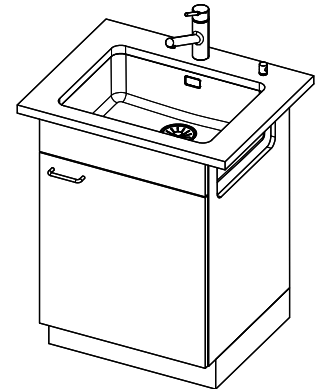
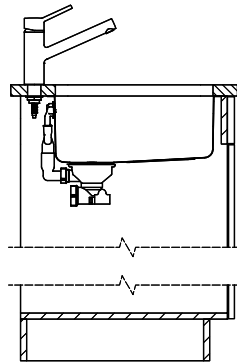
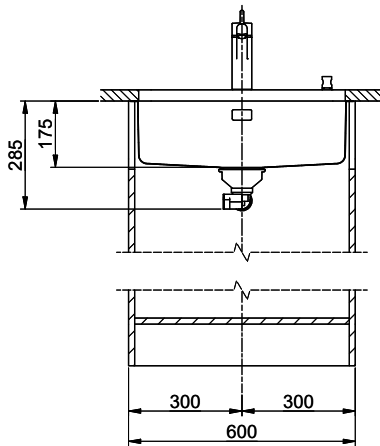
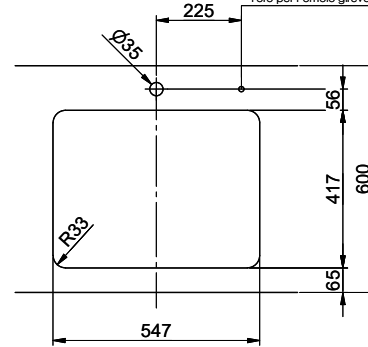
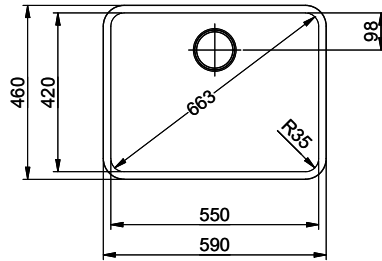
Spares

You can find the compatible range of spares here [> Weblink](#)

Vantis V 55U

Masse / Ausschnittkontur
 Dimensions / contour de découpe
 Dimensioni / contorno dell'apertura

Bohrung für Zug- und Druckknöpfe Ø14
 Bohrung für Drehknopf Ø25
 Trou pour boutons et Poussoirs de commande Ø14
 Trou pour bouton rotatif Ø25
 Foro per Pomelli tiranti e Pomelli pulsanti Ø14
 Foro per Pomolo girevoli Ø25



Ce document est un descripteur technique. Il ne doit pas être utilisé pour la fabrication de pièces. Toute utilisation non autorisée est formellement interdite.
 Dieses Dokument ist ein technischer Zeichnung. Es ist nicht für die Herstellung von Teilen zu verwenden. Die Nachahmung ist ausdrücklich untersagt.
 This document is a technical drawing. It is not to be used for the production of parts. Any unauthorized use is expressly prohibited.
 Questo documento è un disegno tecnico. Non deve essere utilizzato per la produzione di parti. È espressamente vietata la riproduzione non autorizzata.