

Vantis V 55U

[> Web link](#)



Fitting style
Undermount bowls

Model
V 55U

Material
Stainless steel 18/10

Article no.
10.105.208.00

Cabinet size
60 cm

Basket
3½" TouchFlow Desino

Surface
Matt

VRG
0.19

Price CHF
1'425.- excl. VAT

Dimensions
550x420x175mm

Corner radius
35 mm

Overflow and drain technology



Desino: Concealed drain with basket underneath - type M



Swivelling TouchFlow overflow cap

Basket pre-assembly

Basket pre-assembly ex works

Dispenser - mounting option

Free choice of positioning

Overflow and drain technology

Standard pull-up knob

Prices (as of 06.05.26/excl. VAT)

| Model | Material | Basket | Article no. | Price CHF |
|--------------|-----------------------------|-------------------------|---------------|-------------------|
| Vantis V 55U | Stainless steel 18/10, Matt | 3½" Tipo Desino | 10.105.647.00 | 1'215.- > Weblink |
| | | 3½" Space-saving Desino | 10.105.209.00 | 1'215.- > Weblink |
| | | 3½" TouchFlow Desino | 10.105.208.00 | 1'425.- > Weblink |
| | | 3½" eFlow Desino | 10.105.269.00 | 1'540.- > Weblink |

Product description

Cleaning

The Desino Drain Sieve is dishwasher-safe and can be cleaned completely or separately up to a maximum temperature of 65°C.

Accessory

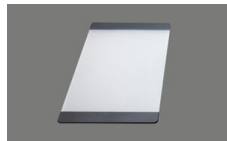
Optional accessories



> Weblink
40.000.914.00 / CHF 106.-
Colander, perforated



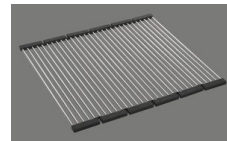
> Weblink
40.001.290.00 / CHF 106.-
Colander, unperforated



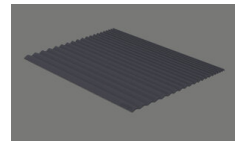
> Weblink
40.000.915.00 / CHF 151.-
Chopping board, made of glass, white



> Weblink
40.001.147.00 / CHF 151.-
Chopping board, made of wood



> Weblink
40.001.138.00 / CHF 125.-
Inox Pad



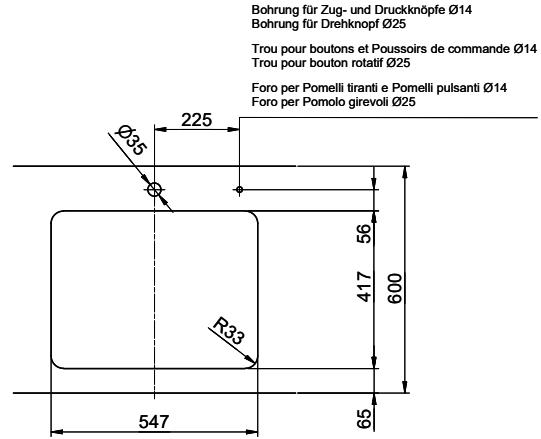
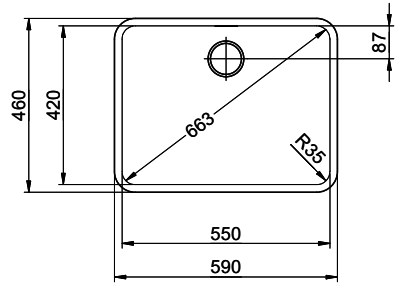
> Weblink
40.002.008.00 / CHF 51.-
Maro dish drainer mat, Dark Grey

Spares

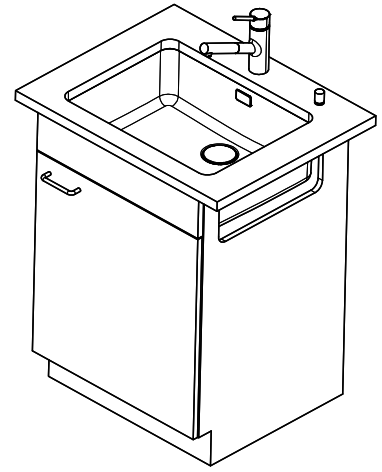
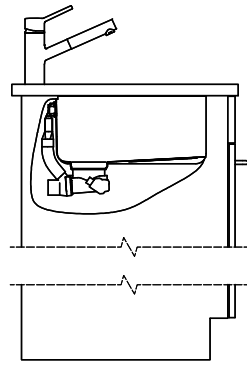
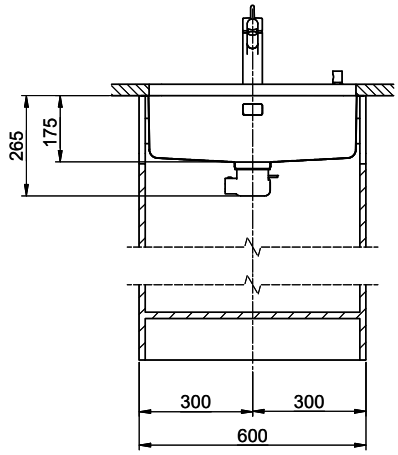
You can find the compatible range of spares here [> Weblink](#)

Vantis V 55U Desino

Masse / Ausschnittkontur
 Dimensions / contour de découpe
 Dimensioni / contorno dell'apertura



Bohrung für Zug- und Druckknöpfe Ø14
 Bohrung für Drehknopf Ø25
 Trou pour boutons et Pousoirs de commande Ø14
 Trou pour bouton rotatif Ø25
 Foro per Pomelli tiranti e Pomelli pulsanti Ø14
 Foro per Pomolo girevoli Ø25



Für dieses Dokument und die darin abgezeichneten Gegenstände behalten wir uns alle Rechte vor. Verantwortlich: Betriebsabw. an
 Diese Seite: Verwendung dieses Zeichens, ohne unsere Zustimmung ist verboten. © Copyright 2020 Suter Inox AG. All rights reserved.