

Vantis VG 50-35U Green

[> Web link](#)

Cabinet size 55 cm



Fitting style
Undermount bowls

Model
VG 50-35U Green

Material
Stainless steel 18/10

Article no.
10.105.769.00

Cabinet size
55 cm

Basket
3½" Space-saving

Surface
Matt

Price CHF
777.- excl. VAT

Dimensions
500x350x160mm

Corner radius
35 mm

Overflow and drain technology



Sieve - type S



Swivelling overflow cap

Basket pre-assembly
Assembly of the valve at the factory

Dispenser - mounting option
Free choice of positioning

Green Line



Green Line is an independent product version geared towards sustainability.

Standard



Advant

Prices (as of 05.07.26/excl. VAT)

Model	Material	Basket	Article no.	Price CHF	
Vantis VG 50-35U Green	Stainless steel 18/10, Matt	3½" Tipo	10.105.770.00	728.-	> Weblink
		3½" TouchFlow	10.105.768.00	975.-	> Weblink
		3½" Space-saving	10.105.769.00	777.-	> Weblink

Accessory

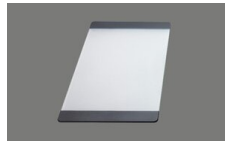
Optional accessories



[> Weblink](#)
40.000.914.00 / CHF
106.-
Colander, perforated



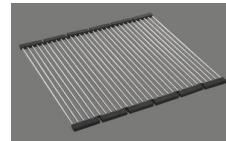
[> Weblink](#)
40.001.290.00 / CHF
106.-
Colander, unperforated



[> Weblink](#)
40.000.915.00 / CHF
151.-
Chopping board, made of glass, white



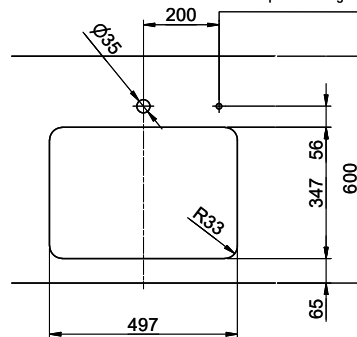
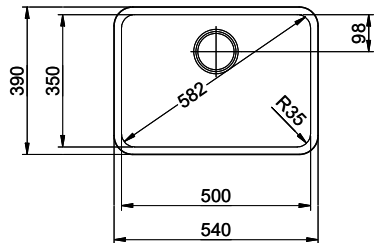
[> Weblink](#)
40.001.147.00 / CHF
151.-
Chopping board, made of wood



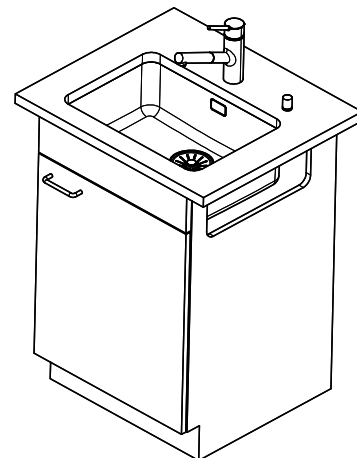
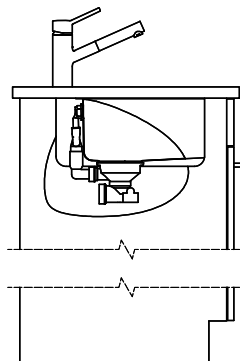
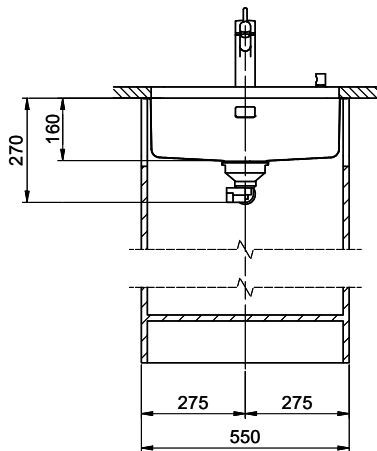
[> Weblink](#)
40.001.138.00 / CHF
125.-
Inox Pad

Spares

You can find the compatible range of spares here [> Weblink](#)



Bohrung für Zug- und Druckknöpfe Ø14
 Bohrung für Drehknopf Ø25
 Trou pour boutons et Poussoirs de commande Ø14
 Trou pour bouton rotatif Ø25
 Foro per Pomelli tiranti e Pomelli pulsanti Ø14
 Foro per Pomolo girevoli Ø25



For these documents and their associated graphics, we reserve all rights. No part of these documents may be reproduced without the written permission of Suter Inox AG. All rights reserved.