

## Samsung Washing machine WM120

[> Web link](#)

**Model**  
Samsung Washing machine WM120

**Energy efficiency class**  
A (New Label 03.21)

**Manufacturer ID**  
WW90T554AAW/S5

**Article no.**  
500.000.121.00

**Appliance type / construction type**  
Washing machine, front loader

**Door hinge**  
Left

**VRG**  
10.00

**Price CHF**  
1'277.- excl. VAT

## Highlights

- Digital Inverter Motor - 10-year warranty
- Noise level: washing 53 db(A), centrifugation 72 db(A)
- Auto Cycle Link - compatible dryer suggests suitable programme after washing cycle
- Hygiene Steam - hygienic cleanliness with steam, eliminates allergens and bacteria
- AI Control (KI) - Intelligent washing
- Networking with Smart Things App
- AddWash™ - add laundry at any time
- ecobubble™ - Deep cleaning at low temperatures, save energy
- Spin speed: max. 1400 rpm
- 15 min. quick wash
- 9 kg drum capacity

## Product description

Appliance type / construction type: **Washing machine, front loader, Euro-Norm 60 cm**  
GTIN no: **8806090604300**

## Planning guidelines

13 languages available, including Braille (English, Dutch, Danish, Finnish, French, German, Icelandic, Italian, Norwegian, Portuguese, Spanish, Swedish, Turkish)  
Minimum clearance for proper operation: sides: 25 mm, top: 25 mm, rear: 50 mm, front: 550 mm

## Consumption

Energy efficiency class (from A to G): **A**  
Efficiency index: **51,9**  
Energy consumption per 100 cycles: **49 kWh**  
Water consumption per cycle: **50 L**  
Power consumption in off-standby / timed standby / networked standby (if available): **0.5 / 5 / 2 W**

## Design

Housing color: **White**  
Door color: **Carved Black**

## Display and operation

Indicator: **Control panel AI Control incl. Braille**  
Display: **AI Control**  
Operation: **Touch control & rotary knob**  
Language display program selection (preset): **13 languages available, including Braille**

## Interconnection of household appliances

Samsung Smart Home: **Smart Things App**

## Performance properties

Washing performance class (from A to G): **A**  
Spin-drying performance class (from A to G): **B**  
Residual moisture: (full / half / quarter load): **53 / 51 / 53 %**.  
Spin speed (revolutions per minute) (full / half / quarter load): **1400 / 1400 / 1400 rpm**  
Washing efficiency index: **1.03**  
Rinse efficiency: **5 g/kg**  
Highest laundry temperature (full / half / quarter load): **31 / 27 / 21 °C**  
Programme duration Eco 40-60°C (full / half / quarter load): **3:48 / 2:54 / 2:36 h**  
Automatic switch-off time: **3 min.**

## Sound power level

Washing: **53 dB(A)**  
Spin: **72 dB(A)**  
Airborne sound emission class during spinning (A to D): **A**

## Mounting type

Freestanding with worktop:

## Samsung Washing machine WM120

[> Web link](#)**Yes**

Freestanding undercounter: -  
 Undercounter unit (without worktop): -  
 Mobile:-  
 Door hinge: **Left (not reversible)**

**Dimensions**

Unit dimensions (H x W x D): **850 x 600 x 635 mm**  
 Unit depth (incl. wall clearance) : **685 mm**  
 Unit depth with door open (incl. wall clearance): **1122 mm**  
 Adjustable height: **max. 30 mm**

**Empty weight**

Unit weight: **67 kg**

**Fittings**

QuickDrive™: -  
 AddWash™: **Yes**  
 ecobubble™ technology: **Yes**  
 Digital inverter motor: **Yes**  
 Anti-vibration technology: -  
 Ceramic heater rod: -  
 Drum type: **Diamant**  
 Drum volume: **61 L**  
 Drum lighting: -

**Functions**

SmartCheck: -  
 WiFi SmartControl: **Yes**  
 Smart Sensor (automatic capacity regulation) : -  
 AI Control: **Yes**  
 FleckenIntensiv [intensive stain removal]: **Yes**  
 Auto Optimal Wash -  
 Automatic dosing: -  
 Hygiene Steam: **Yes**  
 Speed Spray: **Yes**  
 Super Speed: -

**Programme**

Washing programs: **Cotton, Eco 40-60, Easy-care, Wool, Delicates, Baby Care Intensive, Super Quiet, Cloudy day, Coloured Washes, Towels, Shirts, Jeans, Cold Wash Intensive, Mixed Washes, Outdoor, Sportswear, Hygiene Steam, XXL Washes, Fast Wash 15', Pump + Spin, Rinse + Spin, Drum Cleaning+**  
 Options and keys on the display: **On / Off, navigation wheel, start/pause, display, OK, temperature, rinse, spin, additional functions, Smart Control**

Washing options: Prewash, Intensive

Indications on the display: **wash programme, load recommendation, temperature, rinse, Skidding, Smart Control, WLAN, door interlock, lock, programme remaining time, end time preselection, error messages**

Temperature selection: **Cold / 20 / 30 / 40 / 60 / 90 °C**

Spin speed: **0 / 400 / 800 / 1000 / 1200 / 1400 rpm**

**Safety**

Child safety: **Yes**  
 Anti-foam control: **Yes**  
 Overheating control: **Yes**  
 Self-diagnosis system: **Yes**  
 Self-cleaning filter: **Yes**  
 Aqua-stop hose: **Yes**  
 Leak sensor (tub): **Yes**

**Power and water consumption****Electrical connection**

Supply voltage: **230V**  
 Frequency: **50 Hz**  
 Connection values: **2,3 kW**  
 Fuse protection: **10 A**  
 Length power connection: **2 m**  
 Power plug: **with plug type 12, 10 A**

**Water connection**

Pressure hose G 3/4": **Yes**  
 Connectable to cold/hot water: **Yes / -**  
 Water pressure: **0,5 - 8 Bar**  
 Water inlet: **1,5 m with Aquastop**  
 Water outlet: **1,5 m**

**Packaging**

Weight, incl. Packaging: **69 kg**  
 Packaging dimensions (H x W x D): **890 x 670 x 660 mm**

**Samsung Washing machine WM120** [> Web link](#)

**Accessory**

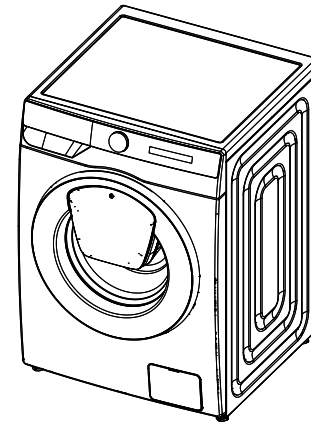
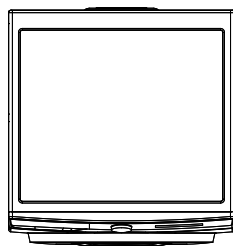
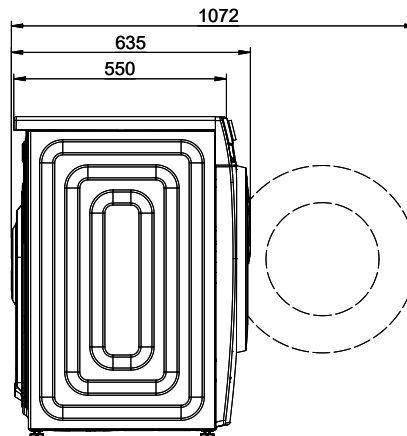
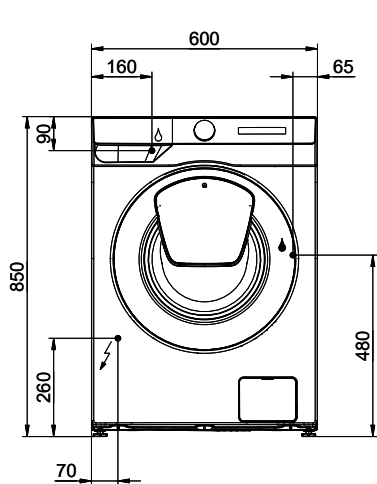
Optional accessories




> Weblink  
500.000.063.00 / CHF  
42.-  
Combination set SKK-DF  
washer/dryer tower  
SKK-DF WM120,  
WM130, WM40



> Weblink  
500.000.129.00 / CHF  
134.-  
Combination set  
SKK-UDW washer/dryer  
tower with pull-out  
WM120



 230V 10A T12 - L=2000mm

 Wasser Zulauf

 Wasser Ablauf

Alle Daten sind ohne Gewähr. Die Abbildungen sind ohne Haftung zu verstehen. Die Abbildungen sind ohne Haftung zu verstehen. Die Abbildungen sind ohne Haftung zu verstehen.