

## BORA 3box wall box UEBF

[> Web link](#)

**Article no.**  
40.001.793.00

**Price CHF**  
376.- D excl. VAT

## Product description

## UEBF BORA 3box wall sleeve incl. sealing material

## Technical data

**Dimensions (W x D x H)**

Wall box: 295 (290 mm at rear) x 210 x 140 mm

Panel: 363 x 9.5 x 209 mm

**Connection flat duct**

BORA Ecotube 245 x 89 mm

**Weight (incl. accessories / packaging)**

approx. 2.8 kg

**Material**

plastic / stainless steel

**Product description**

Purely mechanical operation

Outstanding insulation value

Low pressure resistance during operation

UV-resistant materials

Optimised opening pressure

**Scope of delivery**

BORA 3box UEBF

6 x mounting wedges made of EPS

Operating and assembly instructions

1 x flat gasket EFD

**Planning note**

Wall opening 310 x 155 mm

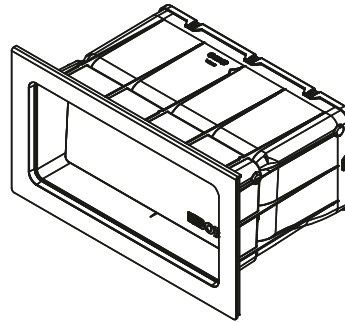
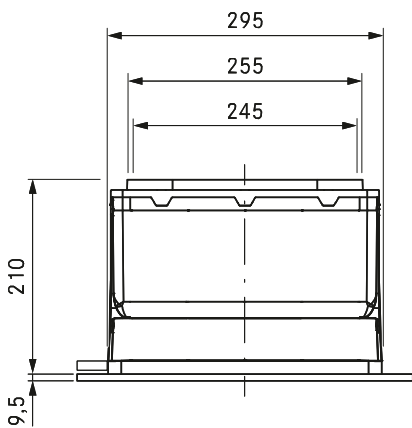
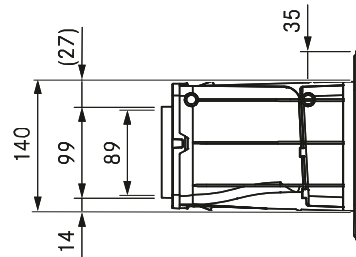
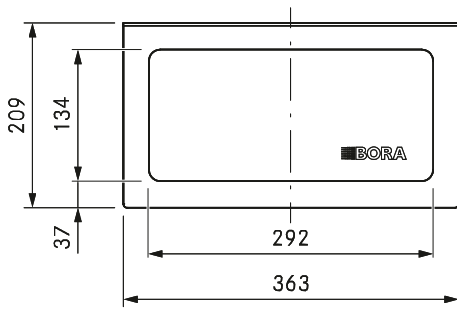
Ecotube trunking connection with a flat socket design

For use with units whose duct connection is designed for BORA Ecotube (connection 245 x 89 mm). To connect BORA Ecotube with Naber connections (222 x 89 mm), an adapter (EFA, 40.001.779) is available / can be ordered separately.

The UEBFES intervention protection must be used if the distance between the fan outlet opening and the wall box outlet opening is less than 900 mm for a straight exhaust air duct.

# UEBF/1

BORA 3box wall sleeve incl. sealing material



## Technical data

Wall sleeve dimensions (WxDxH)	290 x 210 x 140 mm
Cover dimensions (WxDxH)	363 x 7.5 x 209 mm
Weight (incl. accessories/packaging)	approx. 2, 8 kg
Material	Plastic / stainless steel
duct connection	BORA Ecotube
U-value according to EN ISO 12567-1	1,1 W/(m <sup>2</sup> K)

## Product description

- Optimal extraction performance with the lowest possible noise level
- Purely mechanical operation
- Two flaps with EPS insulation
- Outstanding insulation value
- Integrated water drainage to the outside
- Low pressure resistance during operation
- Optimised opening pressure
- UV resistant materials
- 100% tight without additional taping
- Including required Ecotube seals

## Scope of delivery

- UEBF BORA 3box
- 6 x mounting wedges made of EPS
- operating and installation instructions
- 1 x flat seal EFD

## Accessories

- BORA 3box wall sleeve safety guard UEBFES

## product- and planning instructions

- Wall opening: 310 x 155 mm
- Ecotube duct connection with a shallow sleeve form
- Suitable for a minimum wall depth of 200 mm
- The wall sleeve must not be installed rotated 180°, vertical or with the exhaust opening facing downwards
- The safety guard UEBFES is to be used if the distance between the fan exhaust opening and the wall sleeve exhaust opening is less than 900 mm in the case of a straight exhaust duct
- Must expel air in a straight line regardless of the weather conditions