

VARA EPOC



- DE** Diese Anleitung muss dem Benutzer ausgehändigt werden. Garantie/Haftung nur bei Montage gemäss Anleitung durch eine konzessionierte Fachkraft und gemäss örtlicher Vorschriften.
- FR** Cette instruction doit être remise à l'utilisateur. Garantie/responsabilité uniquement assurées en cas de montage conforme au mode d'emploi, effectué par un spécialiste concessionnaire et en fonction des prescriptions locales.
- IT** Le presenti istruzioni devono essere consegnate all'utilizzatore. Garanzia/responsabilità assicurate soltanto in caso di montaggio conforme alle istruzioni per l'uso ed eseguito da uno specialista concessionario in funzione delle prescrizioni locali.
- EN** This instruction must be given to the user. Guarantee/Liability only when assembled by an approved specialist in accordance with the instructions and local regulations.
- ES** Este manual de instrucciones tiene que ser entregado al usuario. Garantía/Responsabilidad sólo en caso de que sea montado por un profesional autorizado, en conformidad con la normativa local y conformemente a estas instrucciones.
- NL** Deze handleiding moet aan de gebruiker worden bezorgd. Garantie/aansprakelijkheid enkel bij montage volgens de handleiding door een bevoegde vakman en volgens de lokale voorschriften.
- CS** Tento návod musí být předán uživateli. Garance/záruka pouze při montáži, prováděné dle návodu osobou odborně způsobilou s příslušnou koncesí a dle předpisů platných v místě.
- LT** Ši instrukcija turi būti perduota naudotojui. Garantija/turtinė atsakomybė suteikiama, jei montavimą pagal instrukciją atlieka kvalifikuotas specialistas pagal vietinius reikalavimus.
- PL** Niniejsza instrukcja obsługi powinna zostać przekazana użytkownikowi. Gwarancja/odpowiedzialność prawna działa wyłącznie w przypadku montażu wykonanego przez upoważnionego specjalistę zgodnie z instrukcją oraz lokalnymi przepisami.
- HU** Jelen útmutatót a felhasználó rendelkezésére kell bocsátani. Garancia/felelősség csak engedéllyel rendelkező szakember által végrehajtott, az útmutatásnak és a helyi előírásoknak megfelelő szerelés esetén.
- RU** Данное руководство должно быть передано пользователю. Гарантия действительна только в том случае, если монтаж выполнен специалистом согласно инструкции и с учетом местных предписаний.
- BG** Това ръководство трябва да бъде връчено на потребителя. Гаранция / отговорност само при монтаж в съответствие с ръководството от лицензиран специалист и в съответствие с действащо законодателство.

Installationsvorschriften allgemein
 Instructions générales d'installation
 Regole per l'installazione
 General installation instructions
 Instrucciones generales de instalación
 Installatievoorschriften algemeen
 Všeobecné předpisy pro instalaci
 Bendrieji įrengimo nurodymai
 Ogólne zasady instalacji
 Általános szerelési utasítások
 Общие правила по установке
 Общи изисквания за инсталиране

Technische Daten
 Caractéristiques techniques
 Specifiche tecniche
 Technical Specification
 Características técnicas
 Technische gegevens
 Technické specifikace
 Techniniai duomenys
 Specyfikacja techniczna
 Műszaki specifikáció
 Техническая спецификация
 Техническа спецификация

DE Wichtige Information – bitte vor der Inbetriebnahme beachten:

- Nur Originalteile von LAUFEN verwenden.
- In das Wasserversorgungssystem muss ein Trinkwasserfilter eingebaut werden.
- Für Funktionsstörungen, die durch eine fehlerhafte Installation oder eine schlechte Wasserqualität begründet sind, übernimmt LAUFEN keine Verantwortung.

FR Informations importantes à observer avant la mise en service:

- Utilisez uniquement des pièces d'origine LAUFEN.
- Un filtre à eau potable doit être monté dans le système d'alimentation en eau.
- LAUFEN décline toute responsabilité en cas de dysfonctionnement résultant d'une installation incorrecte ou d'une mauvaise qualité de l'eau.

IT Informazioni importanti da osservare prima della messa in funzione:

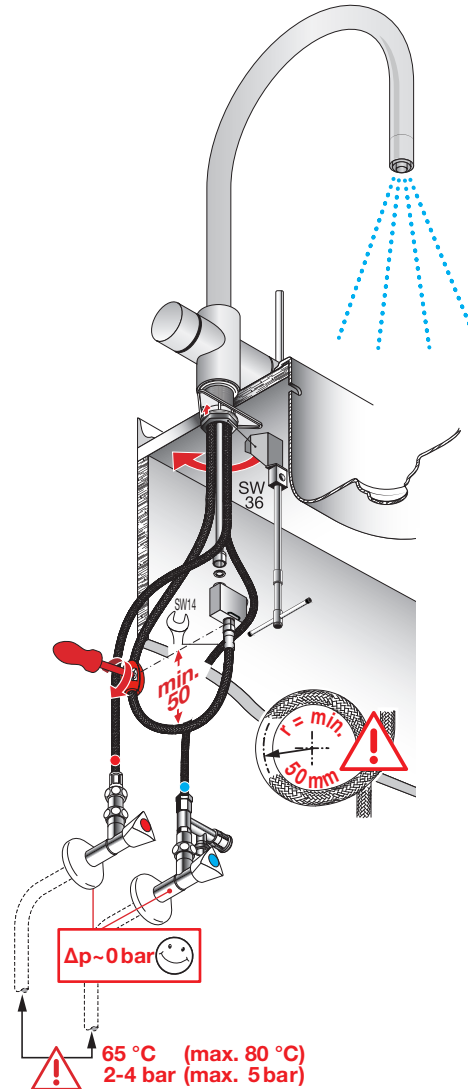
- Usare solo pezzi originali LAUFEN.
- Un filtro per acqua potabile deve essere montato nel sistema d'alimentazione idrico.
- LAUFEN declina ogni responsabilità per malfunzionamenti derivanti da una installazione errata o dalla cattiva qualità dell'acqua.

EN Important information to be observed before commissioning:

- Use only original parts from LAUFEN.
- A drinking water filter must be fitted in the water supply system.
- LAUFEN accepts no responsibility for malfunctions resulting from incorrect installation or poor water quality.

ES Información importante a tener en cuenta antes de proceder a la puesta en servicio:

- Utilice sólo piezas originales LAUFEN.
- Se debe instalar un filtro de agua potable en el sistema de suministro de agua.
- LAUFEN no se hace responsable del mal funcionamiento provocado por una instalación incorrecta o por un agua de mala calidad.



LT Svarbi informacija, į kurią reikia atkreipti dėmesį prieš pradant eksploatavimą:

- Naudokite tiksliai originalias LAUFEN detales.
- Geriamaio vandens filtrą įdedamas į vandens padavimo sistema.
- LAUFEN nepisiima atsakomybę dėl disfunkcijų, kurios atsiradusios dėl neteisingo montavimo ar blogos vandens kokybės.

PL Ważna informacja, którą należy mieć na uwadze przed użytkowaniem:

- Stosować wyłącznie oryginalne części LAUFEN.
- Filtr wody pitnej musi być umieszczony w systemie zasilania wodnego.
- LAUFEN nie przejmuje odpowiedzialności za nieprawidłowe funkcjonowanie urządzenia, jeśli zostało ono zainstalowane w niewłaściwy sposób lub zostało ono poddane działaniu wody o złej jakości.

HU Fontos információ, amelyet az üzembehelyezés előtt figyelembe kell venni:

- Csak eredeti LAUFEN alkatrészeket használjon.
- A vízellátó rendszerbe egy ivóvízszűrőt kell illeszteni.
- A LAUFEN a helytelen üzembehelyezésből vagy rossz vízminőségéből eredő meghibásodásokért nem vállal felelősséget.

NL Belangrijke, in acht te nemen informatie alvorens over te gaan tot bestellen:

- Gebruik uitsluitend originele onderdelen van LAUFEN.
- Er dient een drinkwaterfiltersysteem in de watervoorziening te worden geplaatst.
- LAUFEN kan niet aansprakelijk worden gesteld voor defecten voortvloeiende uit slechte installatie of slechte waterkwaliteit.

RU Перед проведением установки следует принять к сведению следующую информацию:

- Используйте только оригинальные части (компоненты) от LAUFEN.
- В систему водоснабжения должен быть интегрирован фильтр питьевой воды.
- LAUFEN не берет на себя ответственность за неисправности, возникшие в результате некорректной установки или низкого качества воды.

CS Důležité informace, kterých je třeba dbát před uvedením do provozu:

- Používejte pouze originální díly LAUFEN.
- Do vodovodní sítě musí být namontován filtr na pitnou vodu.
- Společnost LAUFEN nepřijímá žádnou odpovědnost za špatné fungování výrobku v důsledku nesprávné instalace či špatné kvality vody.

BG Важна информация, запознайте се с нея преди употреба:

- Използвайте само оригинални детайли от LAUFEN.
- Във водоснабдителната система трябва да бъде монтиран филтър за питейна вода.
- LAUFEN не носи отговорност за неизправности, които са в резултат от неправилна инсталация или лошо качество на водата.

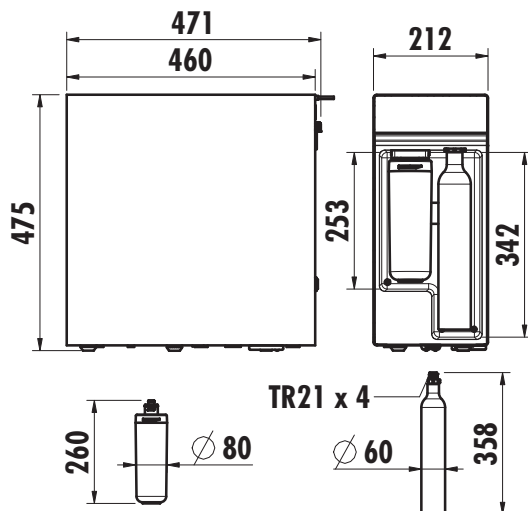
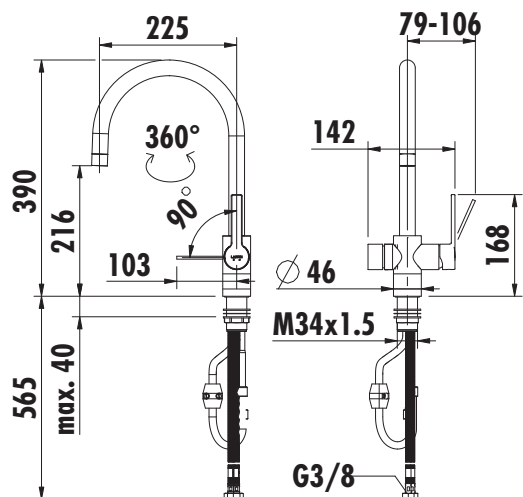
Einbau- und Befestigungsmasse
Cotes d'encastrement et de fixation
Lato di incasso e di fissaggio
Concealing and fixing dimension

Dimensiones de empotramiento y fijación
nbouw- en bevestigingsafmetingen
Skryté a instalační rozměry
Uždengimo ir tvirtinimo matmenys

Wymiary wbudowania i montażowe
Falba történő beépítési és rögzítési méretek
Размеры для скрытого монтажа и крепления
Размери за скриване и поставяне



VARA EPOC ALL IN ONE (HCSA) HF 8 05401 ... 749



Montageablauf
Exécution du montage
Esecuzione del montaggio
Assembly procedure

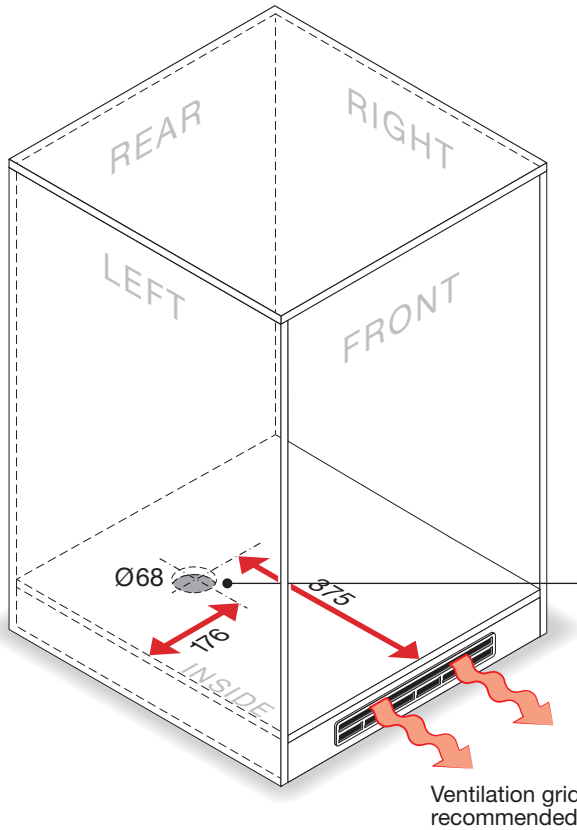
Proceso de montaje
Montageverloop
Průběh montáže
Montavimo tvarka

Instrukcja montażu
A szerelés menete
Последовательность монтажа
Последовательность при монтажа

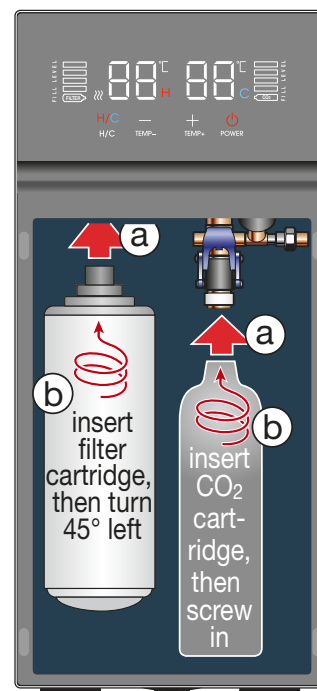
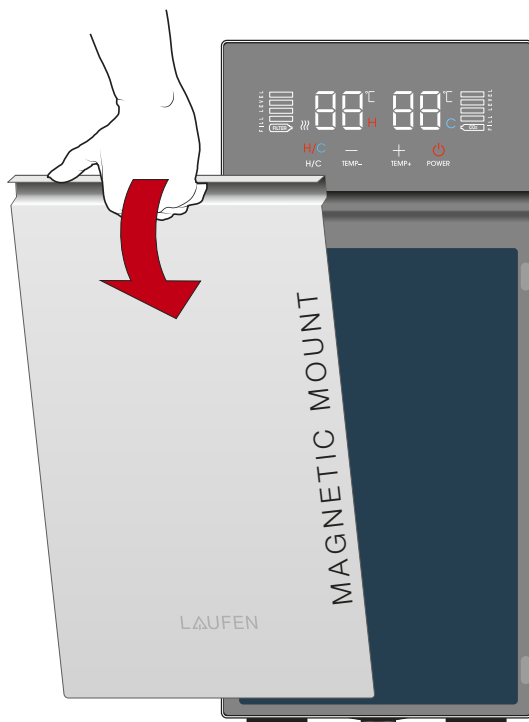
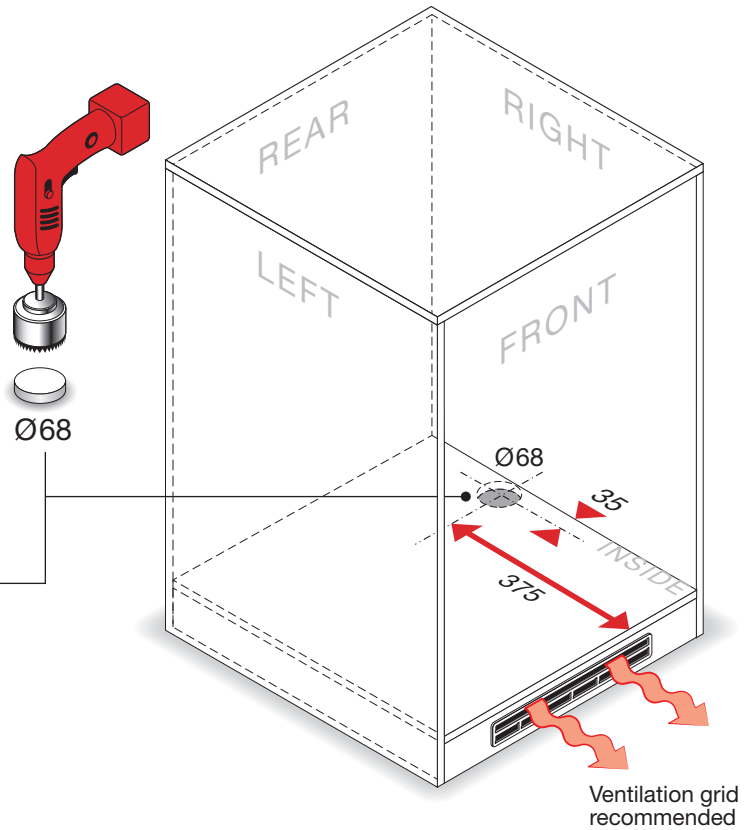


Required: 68 mm hole through the cabinet floor to allow warm exhaust air to escape

Dimension drawing if box is mounted
in the **left** side of the cabinet



Dimension drawing if box is mounted
in the **right** side of the cabinet

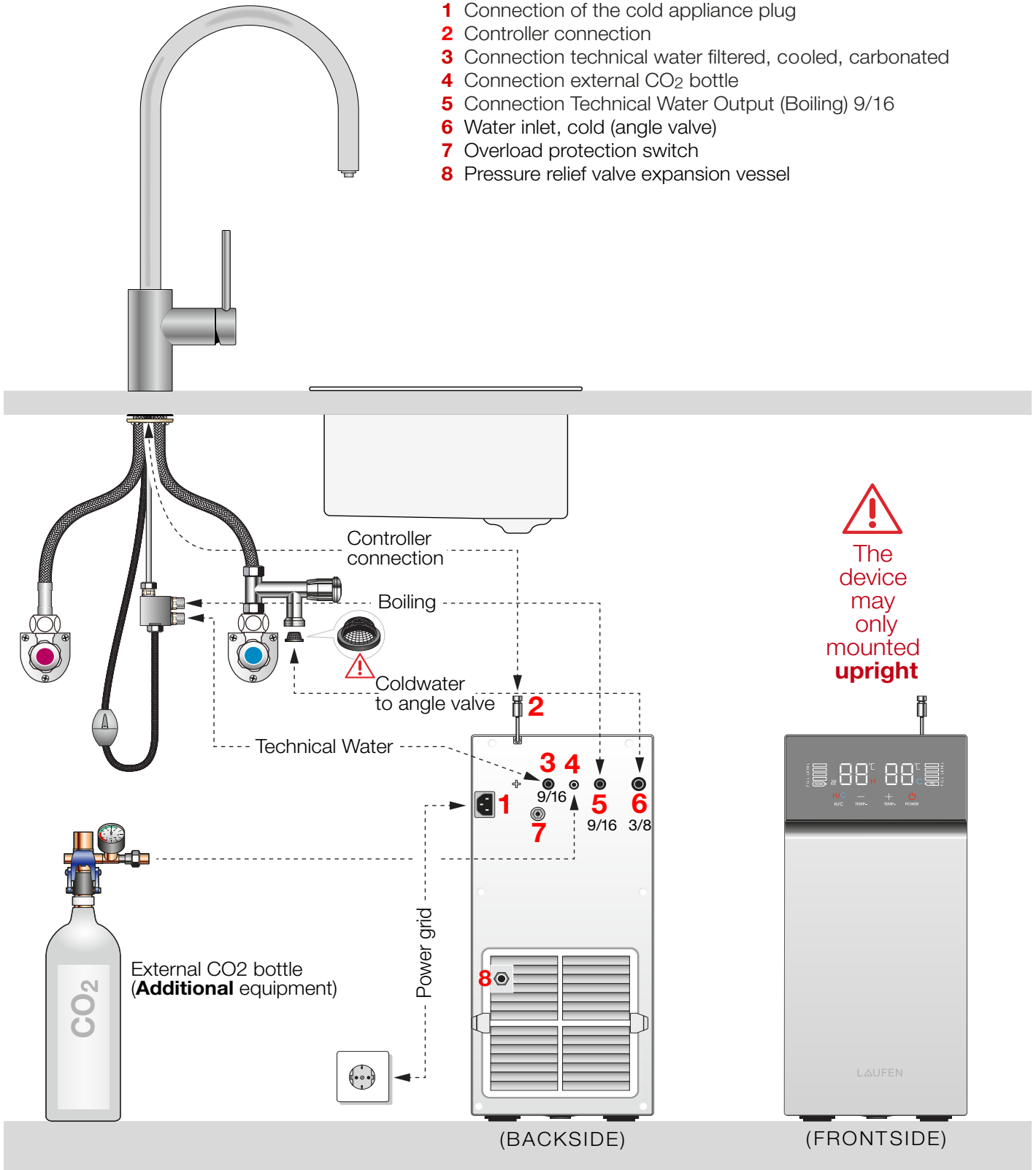




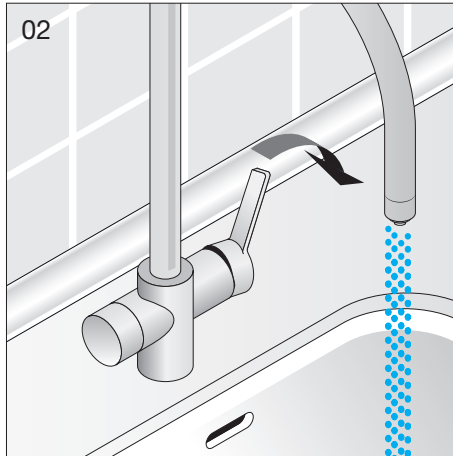
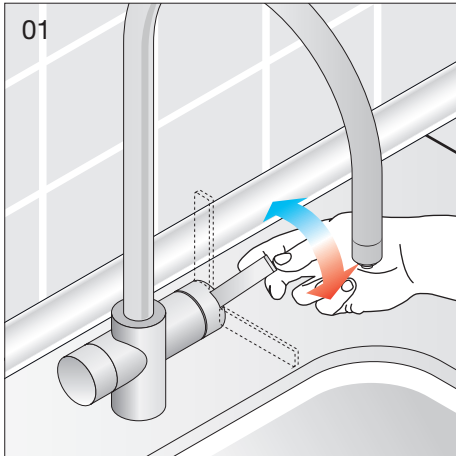
VARA EPOC ALL IN ONE

8 Connections:

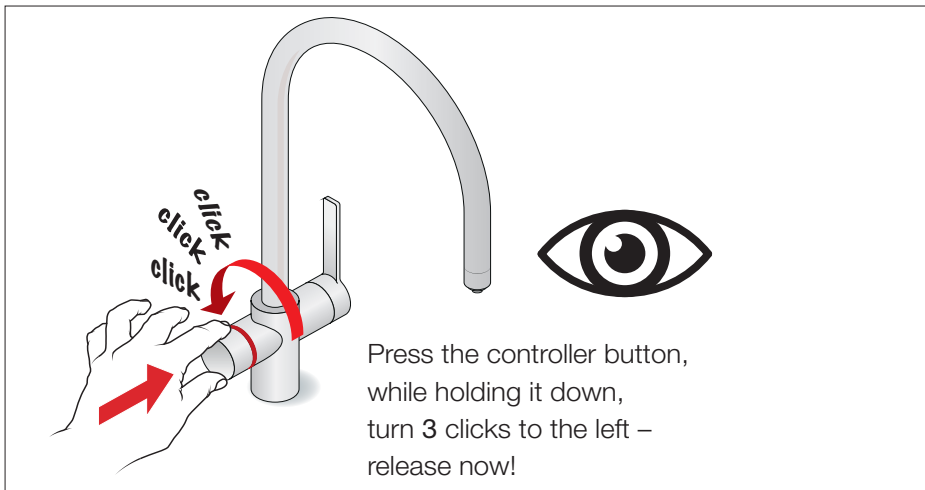
- 1 Connection of the cold appliance plug
- 2 Controller connection
- 3 Connection technical water filtered, cooled, carbonated
- 4 Connection external CO₂ bottle
- 5 Connection Technical Water Output (Boiling) 9/16
- 6 Water inlet, cold (angle valve)
- 7 Overload protection switch
- 8 Pressure relief valve expansion vessel



Bedienung **Uso** **Obstuga**
Utilisation **Bediening** **Kezeelés**
Uso **Obsluha** **Обслуживание**
Operation **Veikimas** **Эксплуатация**



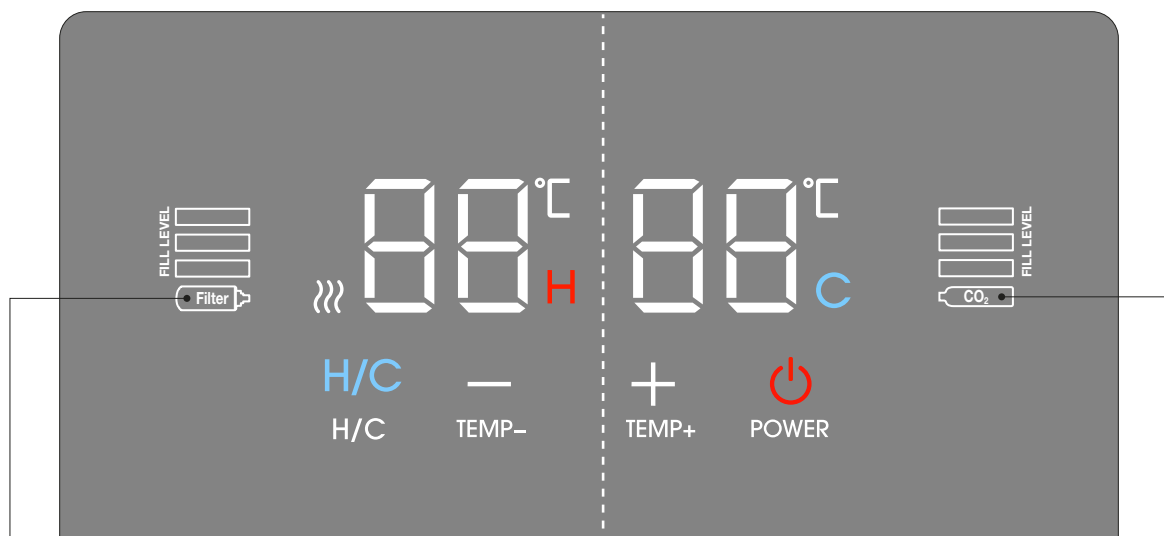
Protection against scalding



Display ALL IN ONE

HOT WATER AREA

COLD WATER AREA



Reset

After changing the Filter Cartridge, press the filter symbol for at least 3 seconds

Adjusting Cold Water Temperature 5 – 15 °C:
Press symbol **H/C**, in addition press – or + symbol

Reset

After changing the CO₂ cartridge, press the CO₂ Cartridge symbol for at least 3 seconds



HOT WATER

Operation Controller	Orientation	Knob tapping	Function	LED-Color	LED-effects	Final function
				(off)		
			96° Boiling water Temp Preset 1		solid color	
		turn 30° counter clockwise (1 click)	92° Boiling water Temp Preset 2		solid color	tap to STOP or time-out after 10 sec
		turn 60° counter clockwise (2 clicks)	85° Boiling water Temp Preset 3		solid color	
		Amount of taps defines water quantity → Boiling water quantity Preset 1 = 0,30 l → Boiling water quantity Preset 2 = 0,65 l → Boiling water quantity Preset 3 = 1,00 l (Max. quantity)			1 x blink - break 1 second 2 x blink - break 1 second 3 x blink - break 1 second	tap to STOP or time-out after 10 sec
		continuous press	Boiling water, quantity: During pressing			on release, STOP
WARNING		Neutral	Warning Malfunction please consult App		pulsating	pulsates 5 times after using the knob, and/or pulsates for 5 times every hour



FILTERED WATER

Operation Controller	Orientation	Knob tapping	Function	LED-Color	LED-effects	Final function
		tap or turn (1 click)	Filtered Water		solid color	either press once more, or time-out after 10 sec
		Amount of taps defines water quantity → Filtered water quantity Preset 1 = 0,30 l → Filtered water quantity Preset 2 = 0,65 l → Filtered water quantity Preset 3 = 1,00 l (Max. quantity)			1x blink - break 1 second 2 x blink 1 second break 3 x blink 1 second break	Tap to STOP or time-out after 10 sec
		Continuous press	Filtered water quantity during pressing			on release, STOP
WARNING		Neutral	Warning Malfunction please consult App		pulsating	pulsates 5 times after using the knob, and/or pulsates for 5 times every hour

COLD WATER

Operation Controller	Orientation	Knob tapping	Function	LED-Color	LED-effects	Final function
		turn 60° clockwise (2 clicks)	Chilled Water		solid color	either press once more, or time-out after 10 sec.
		Amount of taps defines water quantity → Chilled water quantity Preset 1 = 0,30 l → Chilled water quantity Preset 2 = 0,65 l → Chilled water quantity Preset 3 = 1,00 l (Max. quantity)			1x blink - break 1 second 2 x blink - break 1 second 3 x blink - break 1 second	Tap to STOP or time-out after 10 sec.
		Continuous press	Chilled water quantity during pressing			on release, STOP
WARNING		Neutral	Warning Malfunction please consult App		pulsating	pulsates 5 times after using the knob, and/or pulsates for 5 times every hour



SLIGHTLY SPARKLING

Operation Controller	Orientation	Knob tapping	Function	LED-Color	LED-effects	Final function
				(off)		
			turn 90° clockwise (3 clicks) Amount of taps defines water quantity → Slightly sparkling water quantity Preset 1 = 0,30 l → Slightly sparkling water quantity Preset 2 = 0,65 l → Slightly sparkling water quantity Preset 3 = 1,00 l (Max. quantity)		solid color 1x blink - break 1 second 2 x blink - break 1 second 3 x blink break 1 second	either press once more, or time-out after 10 sec Tap to STOP or time-out after 10 sec
WARNING		Neutral	Warning Malfunction please consult App		pulsating	pulsates 5 times after using the knob, and/or pulsates for 5 times every hour

VERY SPARKLING

Operation Controller	Orientation	Knob tapping	Function	LED-Color	LED-effects	Final function
				(off)		
			turn 120° clockwise (4 clicks) Amount of taps defines water quantity → Very sparkling water quantity Preset 1 = 0,30 l → Very sparkling water quantity Preset 2 = 0,65 l → Very sparkling water quantity Preset 3 = 1,00 l (Max. quantity)		solid color 1x blink - break 1 second 2 x blink - break 1 second 3 x blink break 1 second	either press once more, or time-out after 10 sec Tap to STOP or time-out after 10 sec
WARNING		Neutral	Warning Malfunction please consult App		pulsating	pulsates 5 times after using the knob, and/or pulsates for 5 times every hour

Fehlerbehebung
Dépannage
Identificazione guasti
Troubleshooting

Solución de problemas
Problemen oplossen
Hledání závad
Gedimų šalinimas

Konserwacja
Hibaelhárítás
Поиск и устранение неисправностей
Отстраняване на неизправности

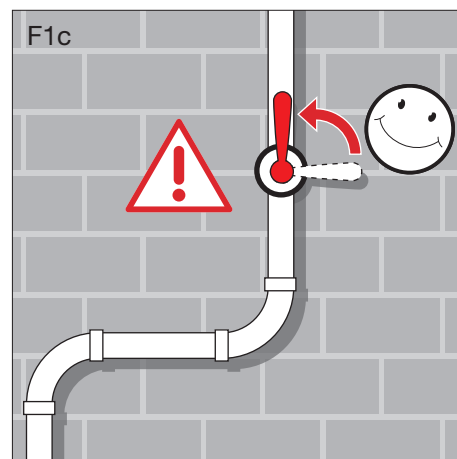
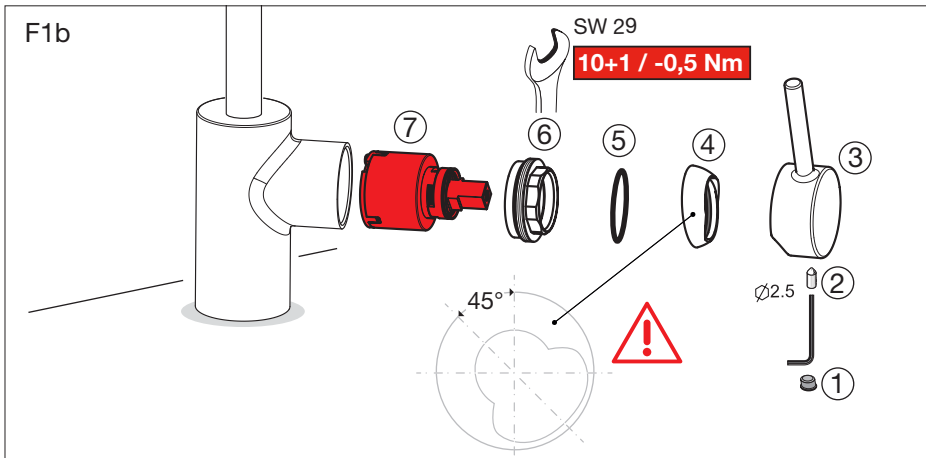
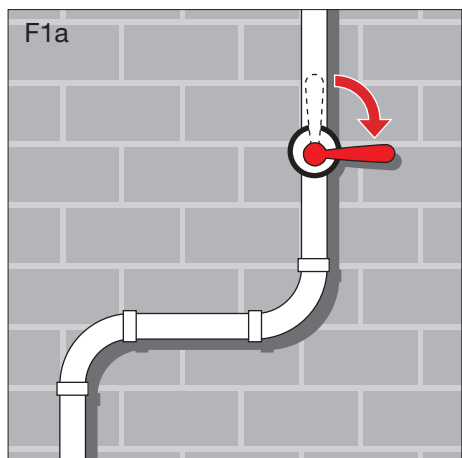


Patrone wechseln
Changer la cartouche
Sostituzione della cartuccia

Change cartridge
Cambio de cartucho
Patroon vervangen

Výměna kartuše
Kasetės pakeitimas
Wymiana głowicy

Patron cseréje
Замена картриджа
Смяна на патрона



Fehlerbehebung
Dépannage
Identificazione guasti
Troubleshooting

Solución de problemas
Problemen oplossen
Hledání závad
Gedimų šalinimas

Konserwacja
Hibaelhárítás
Поиск и устранение неисправностей
Отстраняване на неизправности

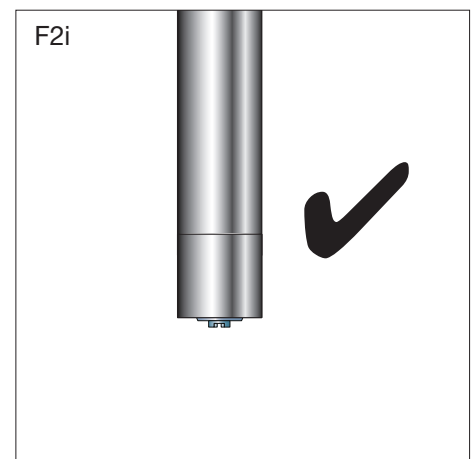
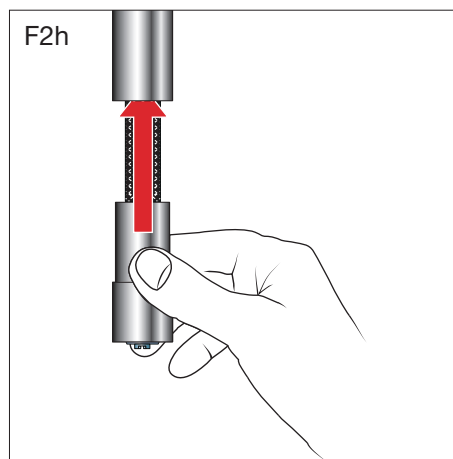
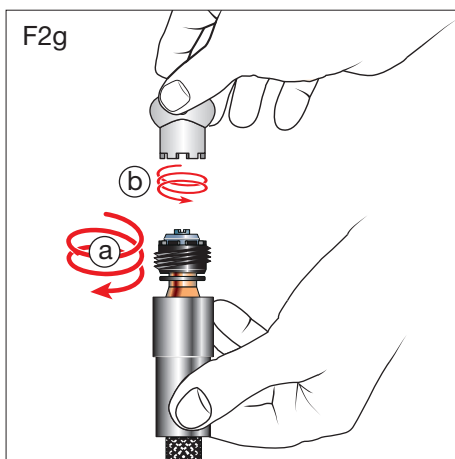
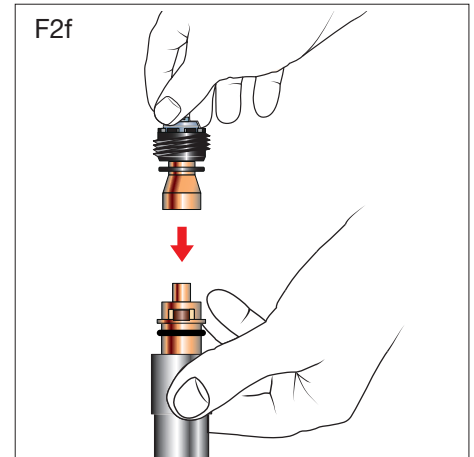
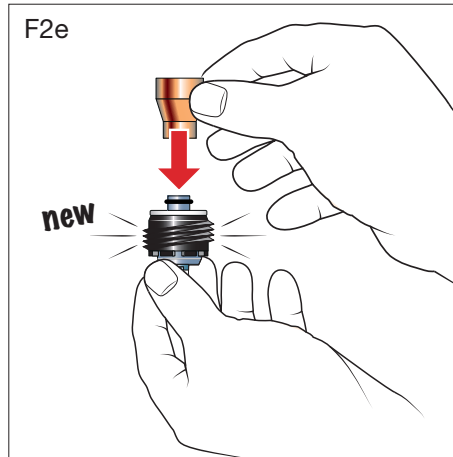
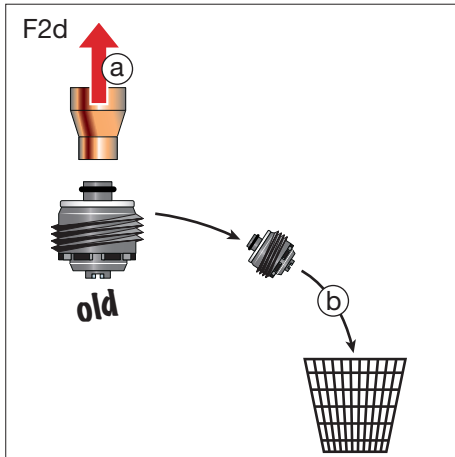
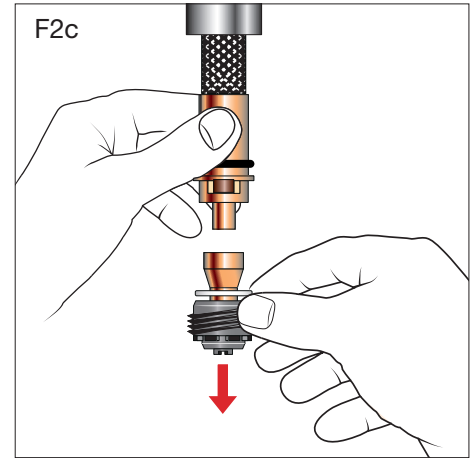
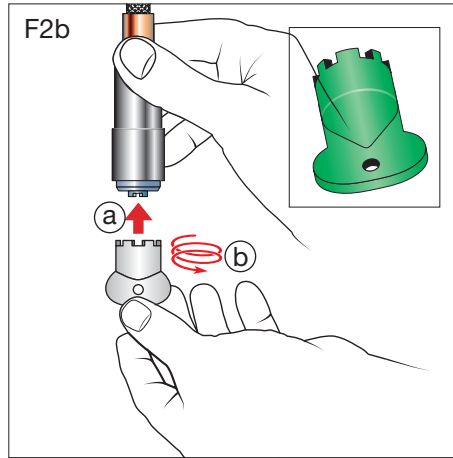
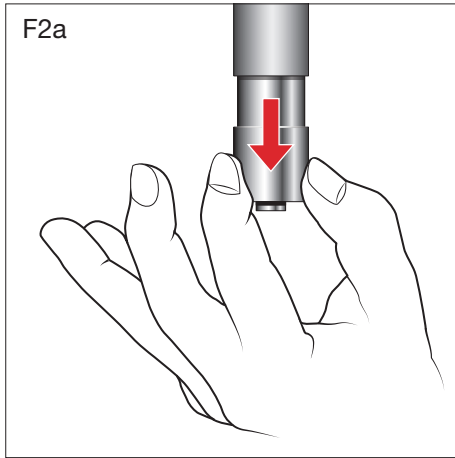


Strahlregler wechseln
Changer l'aérateur
Sostituzione del rompigitto

Change aerator
Cambio de aireador
Perlátor vervangen

Výměna perlátoru
Aeratoriaus pakeitimas
Wymiana perlatora

Perlátor cseréj
Замена азратора
Смяна на аератора





Technical Data Systembox		
Flow	Functional water: HOT: 1.5L/MIN±0.3 LMIN	Filtered: 1.5 L/min Mineral: 2.2 L/min
One-Go Output	Functional water:	Chilled: ≤2L (< 10 °C)
Temperatur	min. 5 °C adjustable max. 96 °C (±2 °C), 3 preset temperatures (ca. 85, 92, und 96 °C)	
Power Supply	230V, 50HZ	
Plug Type	CH Typ-13	
Amp Fuse	10A	
Power	2300W Heating capacity: 1500W Instant heating: 2300W	
Energy Consumption	Standby 24H (0.6kw/h)	
Tank Size	3L	
Dimensions	475 x 212 x 460 mm	
Weight	23,5 kg (net weight)	
IP-Code	IPX1	

2. Display panel and button function description

Key	Function	Activation Method	Explain
Power	Turn on / off	Press / Click	Device Power on / Power off
C / H	Set the cold water-temperature	Press / Click	Enter the cold water target temperature interface, you can adjust the range from 5 °C to 15 °C. Press again to exit.
PAC (the left side key)	Reset the filter Cartridge remaining quantity	Hold down for 3 seconds	The filter cartridges remain quantity is reset to 100 %, which needs to be done after replacing the filter cartridge.
GAS (right)	Reset the remaining amount of the cylinder	Hold down for 3 seconds	The remaining weight of the cylinder should be reset to 100 %, which is required after replacing the cylinder.
"_"	Turn on cleaning mode	Hold down for 3 seconds	When in a waiting state for cleaning, turning on this function will start the cleaning process.

3. Product functions and descriptions

• Device Power on:

The device is in the shutdown state after being powered on and cannot be operated.

The device can be used after being turned on.

The display screen shows the corresponding status after the machine is turned on.

• First installation of water replenishment function:

After the device is first powered on and turned on, the system detects that the temperature of the hot water tank is more than 5 °C higher than that of the cold water tank, and there is a signal from the low water level needle of the sparkling water tank, or a signal from the high water level needle of the cold water tank, or a signal from the high water level of the sparkling water tank. If so, the machine skips the initial refilling mode; otherwise, the machine enters the initial refilling state, and the steps are as follows:



1. The hot and cold water display screens show „FILL“.
2. After adding 5L of boiling water, proceed to the next step.
3. Supplement the cold water until the high water level reaches 6L and proceed to the next step.
4. Supplement the water until it reaches the high water level or after five times refilling processes, then proceed to the next step.
5. Open the sparkling water outlet valve, cold water inlet valve, and total inlet valve, and run it six times by circulating "Pump and cold water outlet valve open, filtered cold water outlet valve close 8s -> Pump and cold water outlet valve close, filtered cold water outlet valve open 2s".
6. Open the main inlet valve, the cold water inlet valve and the filtered water outlet valve, and refill until the cold water tank reaches the high water level for 3 seconds.
7. Complete the process and enter the normal working state, and the display screen shows the normal working state. During the first time water replenishment process, if the "E1/E2/E3" fault is detected, the corresponding fault code will be displayed, and the first water replenishment will stop until the fault is removed; if no water supply signal is detected, the "LP" fault will be reported, and you need to troubleshoot the water supply function.

- **Heating function:**

The fixed heating target temperature of the water tank of the equipment is 80 °C. When the tap is closed, the heating function of the device is turned on, the heating power is automatically adjusted so that the outlet water temperature is the same as the set temperature of the outlet water temperature of the tap. If the boiling water tank is heating at this time, the heating function should be turned off (the heating function and the boiling water function are not activated at the same time).

- **Chilling function:**

When the device is powered on, the default temperature of the cold water is set to 5 °C.; the subsequent temperature setting is set to the storage value of the chip. In the refrigeration working state when the cold water temperature is higher than the set temperature by 5 °C the refrigeration function starts at this time the fan starts first followed by the compressor. When the cold water temperature is lower than the set temperature by -1 °C the refrigeration function stops after a delay at this time the compressor stops working first followed by the fan stopping. Note: Stop-> Start refrigeration intermediate at least 180 seconds delay.

- **Battery memory loss:**

After setting the target temperature of cold water refrigeration, the amount of gas cylinder and the amount of filter element, the set value will be saved in the chip, and the corresponding data will be read and set after re-powering.

- **Cleaning function:**

After one minute of power supply, the machine is turned on and initialized. After shutting down, pressing the „-“ button for 3 s in the power off state can enter the cleaning mode interface. After entering the cleaning mode interface, the display screen shows „n2--“ always on; Click the „POWER“ button to start the cleaning function. The cleaning process is as follows: put 3 l of cold water – put 15 s of sparkling water – put 15 s of sparkling water – put 15 s of sparkling water – put 3 l of boiling water. During the cleaning function, the display screen „n2--“ flashes at a frequency of 2HZ.

In order to start / leave cleaning mode, press „-“ for 3 seconds.



- **Drainage function*:**

Step 1: Before using this function, turn off the machine and put 3L of boiling water to the normal temperature to prevent burns.

Step 2*: Disconnect the power supply and remove the hot water outlet hose and carbon dioxide cylinder.

Step 3*: Connect the power supply, and press the "C/H" button for 3 seconds in the state of machine shutdown within 1 minute to enter the drainage mode, at which time the display screen shows "n1--" in constant on.

Step 4: Press the POWER button to start/pause the drainage. After opening the drainage function, water flows out from the tap. At this time, the screen displays "n1--" flashing. When the drainage function is continuously opened for 12 minutes, the drainage function will automatically pause.

Step 5: When the water in the machine is empty, the water outlet will no longer be flowing. At this point, you can disconnect the power supply.

* When using Drainage function, be sure to empty the tank, otherwise it will affect the use.

* In step 2, only remove the hot water outlet hose, do not remove the cold water outlet hose, otherwise water will be sprayed out from behind the machine when draining.

* In step 3, if the hot water tank is not placed in the normal temperature state, the display screen shows "n1 Actual hot water temperature" after entering the drainage mode, and the drainage function cannot be opened.

How to start:

- Connect all hoses and electrical connections.
- Insert the filter (3 seconds to reset on the filter symbol).
- Press power.
- The automatic filling process starts. "FILL" appears on the display:
 - Water flows from the tap – all tanks are rinsed, the water flow is interrupted several times.
 - Total duration: 8 minutes.
- Only now screw in the CO2 bottle/cylinder. 3 seconds to reset on the CO2 symbol.
If you insert the bottle/cylinder beforehand, there will be backpressure and the tank will not fill properly during initial use.



Technische Daten Systembox		
Durchfluss	Funktionswasser: HOT: 1.5L/MIN±0.3 LMIN	Gefiltert: 1.5 L/min Mineral: 2.2 L/min
One-Go-Ausgabe	Funktionswasser:	Gekühlt: ≤2L (< 10 °C)
Temperatur	min. 5 °C einstellbar max. 96 °C (±2 °C), 3 Temperaturen voreingestellt (ca. 85, 92, und 96 °C)	
Netzgerät	230V, 50HZ	
Steckertyp	CH Typ-13	
Ampere-Absicherung	10A	
Leistung	2300W Heizleistung: 1500W Sofortige Erwärmung: 2300W	
Energieverbrauch	Standby 24H (0.6kw/h)	
Tankgröße	3L	
Abmessung	475 x 212 x 460 mm	
Gewicht	23,5 kg (Nettogewicht)	
IP-Code	IPX1	

2. Beschreibung der Anzeigefelder und Tastenfunktionen

Schlüssel	Funktion	Aktivierungsmethode	Erklärung
Power	Einschalten / Ausschalten	Drücken (Klick)	Gerät ein- / ausschalten
H / C	Kaltwassertemperatur einschalten	Drücken (Klick)	Menü für die Kaltwasser-Zieltemperatur aufrufen. Mit + und - einstellen. Erneut drücken, um das Menü zu verlassen.
FILTER (linke Seitentaste)	Filterkartusche auf Restmenge zurücksetzen	3 Sekunden lang gedrückt halten	Die Restmenge der Filterkartuschen wird auf 100 % zurückgesetzt. Dies muss nach dem Austausch der Filterkartusche erfolgen.
COS (rechts)	Verbleibende Menge des Zylinders zurücksetzen	3 Sekunden lang gedrückt halten	Nach dem Austausch des Zylinders das Restgewicht des Zylinders auf 100 % zurücksetzen
„-“	Reinigungsmodus einschalten	3 Sekunden lang gedrückt halten	Im Wartezustand für die Reinigung wird durch Einschalten dieser Funktion der Reinigungsvorgang gestartet

3. Produktfunktionen und Beschreibungen

• Gerät einschalten:

- Gerät bleibt nach dem Einschalten ausgeschaltet und kann nicht bedient werden.
- Gerät kann nach dem Einschalten bedient werden.
- Anzeigebildschirm zeigt nach dem Einschalten der Maschine entsprechenden Status an.

• Erstinstallation der Wassernachfüllfunktion:

Nachdem das Gerät zum ersten Mal angeschlossen und eingeschaltet wurde, erkennt das System, dass die Temperatur des Warmwassertanks mehr als 5 °C höher ist als die des Kaltwassertanks, und es liegt ein Signal (siehe Anzeige) für niedrigen Wasserstand des Sprudelwassertanks oder ein Signal (siehe Anzeige) für hohen Wasserstand des Kaltwassertanks oder ein Signal vom hohen Wasserstand des Sprudelwassertanks vor. Wenn, dann überspringt die Maschine den anfänglichen Nachfüllmodus. Andernfalls wechselt die Maschine in den anfänglichen Nachfüllzustand. Die Schritte sind wie folgt:



1. Die Anzeigebildschirme für heißes und kaltes Wasser zeigen automatisch „FILL“ (Füllen) an.
2. Nachdem 5 l kochendes Wasser hinzugefügt ist, mit dem nächsten Schritt fortfahren.
3. Kaltes Wasser nachfüllen, bis Wasserstand 6 Liter. Mit dem nächsten Schritt fortfahren.
4. Wasser nachfüllen, bis Wasserstand 6 Liter erreicht ist oder nach fünf Nachfüllprozeduren. Dann mit dem nächsten Schritt fortfahren.
5. Sprudelwasser-Auslassventil, Kaltwasser-Einlassventil und Gesamt-Einlassventil öffnen und sechsmal zirkulieren lassen. Pumpe und Kaltwasser-Auslassventil öffnen, gefiltertes Kaltwasser-Auslassventil schließen 8 s -> Pumpe und Kaltwasser-Auslassventil schließen, Auslassventil für gefiltertes Kaltwasser für 2 s öffnen.
6. Haupteinlassventil öffnen, das Einlassventil für Kaltwasser und das Auslassventil für gefilterte Wasser nachfüllen, bis der Kaltwassertank für 3 Sekunden lang den hohen Wasserstand erreicht hat.
7. Vorgang abschließen und in den normalen Betriebszustand wechseln. Display zeigt normalen Betriebszustand. Wird beim ersten Wassernachfüllvorgang der Fehler „E1/E2/E3“ erkannt, wird der entsprechende Fehlercode angezeigt und die erste Wassernachfüllung gestoppt, bis der Fehler behoben ist. Wurde kein Wasserversorgungssignal erkannt, wird der Fehler „LP“ gemeldet: Wasserversorgungsfunktion überprüfen.

- **Heizfunktion:**

Feste Heizzieltemperatur des Wassertanks des Geräts: 80 °C. Wird der Wasserhahn zugedreht, wird die Heizfunktion des Geräts eingeschaltet, d. h. die Heizleistung wird automatisch so angepasst, dass die Auslasswassertemperatur der eingestellten Temperatur auch der Temperatur des Auslasswassers des Wasserhahns entspricht. Wenn der Kessel für kochendes Wasser zu diesem Zeitpunkt heizt, sollte die Heizfunktion ausgeschaltet werden (d. h. die Heizfunktion und die Funktion für kochendes Wasser werden nicht gleichzeitig aktiviert).

- **Ruhefunktion:**

Wird das Gerät eingeschaltet, ist die Standardtemperatur des Kaltwassers auf 5 °C eingestellt. Die nachfolgende Temperatureinstellung wird auf den Speicherwert des Chips eingestellt. Im Kühlbetriebszustand startet die Kühlfunktion, wenn die Kaltwassertemperatur 5 °C höher als die eingestellte Temperatur ist. Zu diesem Zeitpunkt startet zuerst der Lüfter, gefolgt vom Kompressor. Wenn die Kaltwassertemperatur um -1 °C niedriger ist als die eingestellte Temperatur, stoppt die Kühlfunktion nach einer Verzögerung. Zu diesem Zeitpunkt stoppt zuerst der Kompressor, gefolgt vom Lüfter.

Hinweis: Zwischen Stopp->Start der Kühlung erfolgt Verzögerung von mindestens 180 Sekunden.

- **Verlust des Batteriespeichers:**

Nach dem Einstellen der Zieltemperatur der Kaltwasserkühlung, der Gasflaschenmenge und der Filterelementmenge, werden die eingestellten Werte im Chip gespeichert und nach erneutem Einschalten die entsprechenden Daten ausgelesen und eingestellt.

- **Reinigungsfunktion:**

Nach einer Minute Stromversorgung wird die Maschine eingeschaltet und initialisiert. Nach dem Herunterfahren: Durch 3 s langes Drücken der Taste „-“ im ausgeschalteten Zustand gelangt man in die Reinigungsmodus-Schnittstelle. Nach Aufruf der Reinigungsmodus-Schnittstelle zeigt der Anzeigebildschirm „n2--“ dauerhaft an. Taste „POWER“ klicken startet die Reinigungsfunktion. Der Reinigungsvorgang läuft wie folgt ab: 3 l kaltes Wasser einfüllen – 15 s Sprudelwasser einfüllen – 15 s Sprudelwasser einfüllen – 15 s Sprudelwasser einfüllen – 3 l kochendes Wasser einfüllen. Während der Reinigungsfunktion blinkt der Anzeigebildschirm „n2--“ mit einer Frequenz von 2Hz.

Um den Reinigungsmodus zu starten / verlassen, für 3 Sekunden „-“ drücken.



• Entwässerungsfunktion*:

Schritt 1: Vor Verwendung dieser Funktion: Maschine ausschalten und 3 Liter kochendes Wasser auf die normale Temperatur zugeben, um Verbrennungen zu vermeiden.

Schritt 2*: Stromversorgung trennen, Warmwasserauslassschlauch und CO2-Flasche entfernen.

Schritt 3*: Stromversorgung anschließen, Taste „C/H“ 3 Sekunden lang drücken wenn die Maschine abgeschaltet ist, und zwar innerhalb von 1 Minute, um in den Entleerungsmodus zu wechseln. Auf dem Anzeigebildschirm wird dann dauerhaft „n1--“ angezeigt.

Schritt 4: POWER-Taste drücken um Abfluss starten/anzuhalten. Nach dem Öffnen der Abflussfunktion fließt Wasser aus dem Wasserhahn – Display zeigt blinkend „n1--“ an. Bleibt die Abflussfunktion 12 Minuten lang ununterbrochen geöffnet, wird die Abflussfunktion automatisch angehalten.

Schritt 5: Ist die Maschine entwässert, kann auch kein Wasser mehr aus dem Auslauf fließen.
An diesem Punkt kann die Stromversorgung getrennt werden.

* Wird diese Funktion verwendet, unbedingt Tank entleeren, sonst wird Nutzung beeinträchtigt.

* In Schritt 2 nur den Warmwasserauslassschlauch entfernen, entfernen Sie nicht das Kaltwasserauslassschlauch, sonst wird beim Ablassen Wasser hinter der Maschine herausgespritzt.

* Wenn in Schritt 3 der Warmwassertank nicht auf Normaltemperatur gebracht wird, zeigt das Display nach dem Wechsel zum Ablassmodus „n1 Tatsächliche Warmwassertemperatur“ an. Dann kann die Ablassfunktion nicht geöffnet werden.

Erste Inbetriebnahme:

- Alle Schläuche und elektrische Verbindungen anschließen.
- Filter einsetzen (3 s Reset auf Filtersymbol).
- Power drücken.
- Automatischer Füllprozess startet. Im Display wird „FILL“ angezeigt:
 - Wasser fließt aus der Armatur – alle Tanks werden gespült, Wasserfluss wird mehrfach unterbrochen.
 - Dauer insgesamt 8 min.
- Jetzt erst CO2-Flasche/Zylinder eindrehen. 3 s Reset auf CO2-Symbol.
Setzt man die Flasche/Zylinder vorher ein, gibt es einen Gegendruck und der Tank wird bei der Erstinbetriebnahme nicht richtig befüllt.



Code Number	Definition	Description	Trouble shooting
E01	The boiling water NTC is abnormal	Boiling water tank NTC short circuit/open circuit or boiling water outlet NTC short circuit/open circuit, failure to heat, the fault code is displayed on the boiling water display.	Connect the NTC to the terminal correctly. If the sensor signal is normal, the fault can be removed.
E02	Cold water NTC is abnormal	Cold water tank NTC short circuit/open circuit, failure can not be cooled, the fault code is displayed in the cold water display.	Connect the NTC to the terminal correctly. If the sensor signal is normal, the fault can be removed.
E03	Suction/exhaust/environment NTC is abnormal	Suction or exhaust or environment NTC short circuit/open circuit, failure can not be cooled, the fault code is displayed on the ice water display.	Connect the NTC to the terminal correctly. If the sensor signal is normal, the fault can be removed.
E05	Water leakage	The water leakage sensor detects a signal for three consecutive seconds, and fails to heat/instant heat/cooling/water discharge when the fault occurs. The fault code is displayed on all displays.	1. Clean up the water leakage, and the water leakage sensor can recover the normal working state after detecting no water leakage signal for 3s. 2. Dry the bottom water leakage sensor location with air gun, to see if the alarm is removed or not
E06	Dry heating/thermostat disconnected	During heating, the boiling water rises to more than 7 °C within 5 seconds, or the heating tube is not powered for 10s for continuous heating. In case of failure, the heating tube cannot be heated, instant heating, the fault code is displayed on the boilingwater display.	Power off the device to check whether the device is faulty, and power it on again to restore the normal operating state.
E08	The fan is faulty or the cooling system is abnormal	If the exhaust temperature exceeds 90 °C during cooling, increase the wind speed. If the exhaust temperature exceeds 100 °C, shut down the compressor but do not shut down the fan for more than 5 minutes until the exhaust temperature drops below 80 °C. If the exhaust temperature is detected to exceed 100 °C for four times during one cooling session, the cooling system is considered abnormal.	Power off Check whether the cooling system or fan is faulty. Power it on again to restore the normal working state.
E09	1. Compressor failure 2. Air-outlet blocked	For 10 minutes, the cold water temperature does not drop by more than 2 °C, and the failure cannot be cooled, and the fault code is displayed on the cold water display.	If the compressor is powered off, check whether the compressor works properly. Then, power it on again and restore the compressor to normal working state.
EC	Display board communication is abnormal	Communication with the display board is abnormal, and heating / instant heating /cooling cannot be heated when the fault occurs. Fault codes are displayed on the hot water and ice water display screens.	Connect the display board to the normal communication and you can return to normal working status.
LP	Water refill abnormal	When the water flow signal is not detected for 5 consecutive seconds, an exception is reported. If a fault occurs, the water cannot be discharged, and the fault code is displayed on the boiling water display.	After 10 seconds, the normal working state can be restored. During the fault, check whether the water source is turned on.



Codenummer	Fehler	Beschreibung	Abhilfe
E01	Der NTC für kochendes Wasser ist abnorm	Kurzschluss/Unterbrechung NTC im Kochwasserbehälter oder Kurzschluss/Unterbrechung NTC im Kochwasserauslass, Heizfehler, der Fehlercode wird auf der Kochwasseranzeige angezeigt.	NTC korrekt an Klemme anschließen. Wenn Sensorsignal normal, kann der Fehler behoben werden.
E02	Kaltwasser-NTC ist abnorm	Kaltwassertank NTC Kurzschluss/Unterbrechung, Fehler kann nicht gekühlt werden, der Fehlercode wird im Kaltwasserdisplay angezeigt.	NTC korrekt an Klemme anschließen. Wenn Sensorsignal normal, kann Fehler behoben werden.
E03	Saug-/Abgas-/Umgebungs-NTC ist abnorm	Saug- oder Abluft- oder Umgebungs-NTC-Kurzschluss/Unterbrechung, Fehler kann nicht gekühlt werden, der Fehlercode wird auf der Eiswasseranzeige angezeigt.	NTC korrekt an Klemme anschließen. Wenn das Sensorsignal normal ist, kann der Fehler behoben werden.
E05	Wasserleck	Der Wasserlecksensor erkennt drei Sekunden lang ein Signal und kann bei Auftreten des Fehlers nicht heizen/sofortiges Heizen/Kühlen/Wasser ablassen. Fehlercode wird auf allen Displays angezeigt.	Erstens: Wasserleck beseitigen. Der Wasserlecksensor kann den normalen Betriebszustand wiederherstellen, nachdem 3 Sekunden lang kein Wasserlecksignal erkannt wurde. Zweitens: Wasserlecksensor mit einer Luftpistole abtrocknen, um zu testen, ob der Alarm behoben ist oder nicht.
E06	Trockenheizung / Thermostat abgeklemmt	Während des Erhitzens steigt das kochende Wasser innerhalb von 5 Sekunden auf über 7 °C, oder das Heizrohr wird 10 Sekunden lang nicht mit Strom versorgt, um kontinuierlich zu heizen. Im Fehlerfall kann das Heizrohr nicht erhitzt werden. Der Fehlercode wird auf der Anzeige für kochendes Wasser angezeigt.	Gerät ausschalten, um zu prüfen, ob defekt. Gerät wieder einschalten, um normalen Betriebszustand wiederherzustellen.
E08	Der Lüfter ist defekt oder das Kühlsystem funktioniert nicht richtig.	Wenn die Abgastemperatur während der Kühlung 90 °C überschreitet, Luftstrom erhöhen. Überschreitet die Abgastemperatur 100 °C, Kompressor abschalten, aber den Lüfter nicht länger als 5 Minuten abschalten, bis Ablufttemperatur unter 80 °C fällt. Wenn feststeht, dass die Ablufttemperatur während einer Kühlsitzung viermal 100 °C überschreitet, gilt das Kühlsystem als abnorm.	Ausschalten. Überprüfen, ob Kühlsystem oder Lüfter defekt. Erneut einschalten, um normalen Betriebszustand wiederherzustellen.
E09	1. Kompressorausfall 2. Luftauslass blockiert	Die Kaltwassertemperatur fällt für 10 Minuten um nicht mehr als 2 °C ab, und der Lüfter kann nicht kühlen. Der Fehlercode erscheint auf der Kaltwasseranzeige.	Bei ausgeschaltetem Kompressor überprüfen, ob er ordnungsgemäß funktioniert. Wieder einschalten und Kompressor in den normalen Betriebszustand versetzen.
EC	Die Kommunikation mit der Anzeigetafel ist abnorm.	Die Kommunikation mit der Anzeigetafel ist abnormal und Heizung/Durchlauferhitzer/Kühlung kann nicht geheizt werden, wenn der Fehler auftritt. Fehlercodes werden auf den Anzeigebildschirmen für Warmwasser und Eiswasser angezeigt.	Anzeigetafel an die normale Kommunikation anschließen und zum normalen Betriebszustand zurückkehren.
LP	Wassernachfüllung ist abnorm	Wenn das Wasserdurchflusssignal fünf Sekunden lang nicht erkannt wird, wird eine Ausnahme gemeldet. Im Fehlerfall kann das Wasser nicht abgelassen werden, und der Fehlercode wird auf der Anzeige für kochendes Wasser angezeigt.	Nach 10 Sekunden ist der normale Betriebszustand wiederhergestellt. Während der Störung prüfen, ob die Wasserquelle eingeschaltet ist.



DE Pflegeanleitung

Die Oberfläche ist einfach zu reinigen und zu pflegen. Die glatte Oberfläche nimmt kaum Schmutz an. Zur regelmässigen Pflege weiches Tuch, Seifenlauge und Wasser verwenden. Mit trockenem Tuch abtrocknen.

Vermeiden Sie den Einsatz von Scheuermitteln oder Lösungsmitteln, die die Oberfläche beschädigen.

Schäden, die durch unsachgemässe Behandlung durch den Benutzer entstehen, entziehen sich unserer Garantieleistung.

FR Mode d'entretien

Cette surface est facile à entretenir. Très lisse, elle retient fort peu la saleté. Pour un entretien régulier, utiliser un chiffon doux, du savon et de l'eau. Essuyer avec un chiffon sec.

Évitez d'utiliser des détergents ou des solvants qui endommageraient cette surface.

Les dommages résultant d'un traitement non conforme effectué par l'utilisateur sont exclus de la garantie que nous offrons.

IT Modalità di manutenzione

Questa superficie è facile da pulire. Molto liscia, trattiene poco lo sporco. Per la pulizia regolare, usare un panno morbido con acqua e sapone. Asciugare con un panno asciutto.

E sconsigliato l'uso di detersivi o solventi che potrebbero danneggiare la superficie.

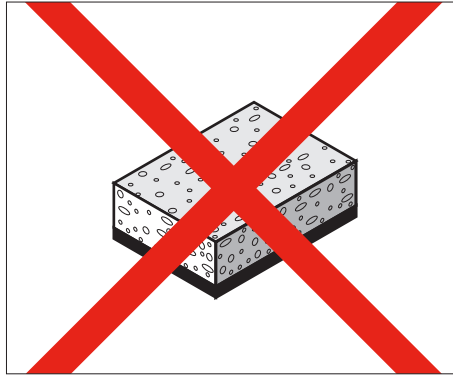
I danni causati da una manutenzione non appropriata dall'utente non sono coperti dalla garanzia.

EN Maintenance instructions

The surface is simple to clean and care for. The smooth surface hardly accumulates any dirt. Use soft cloth, soapy solution and water for regular care. Wipe with a dry cloth.

Avoid the use of abrasives or solvents, which damage the surface.

Damage caused by inappropriate treatment by the user, is not covered by our guarantee.



ES Instrucciones de mantenimiento

La superficie es fácil de limpiar y mantener. La superficie lisa apenas se ensucia. Para un mantenimiento periódico usar un paño blando, jabón y agua. Secar con un paño seco.

Evitar el uso de productos abrasivos o disolventes que dañen la superficie.

Los daños causados por un manejo inadecuado del usuario no los cubre nuestra garantía.

NL Onderhoudshandleiding

Het oppervlak kan eenvoudig gereinigd en onderhouden worden. Het gladde oppervlak neemt nauwelijks vuil op. Voor regelmatig onderhoud een zachte doek, zeepsop en water gebruiken. Met een droge doek afdrogen.

Vermijd het gebruik van schuurmiddelen of oplosmiddelen die het oppervlak beschadigen.

Beschadigingen ten gevolge van verkeerde behandeling door de gebruiker, vallen buiten de garantie.

CS Návod na ošetrování

Povrch je nutno jednoduše očistit a pečovat o něj. Na hladkém povrchu se ztěžji usazují nečistoty. Pro pravidelnou péči používejte měkkou utěrku, mýdlový roztok a vodu. Osušit suchou utěrkou.

Vyvarujte se používání abrazivních látek nebo rozpouštědel, které poškozuji povrch.

Na poškození, která způsobil uživatel neodborným ošetrováním či nakládáním, se nevztahuje naše záruka.

LT Prižiūros nurodymai

Paviršius lengva valyti ir prižiūrėti. Prie lygaus paviršiaus nešvarumai beveik nelimpa. Reguliariai prižiūrai naudokite švelnią šluostę, skystą muilą ir vandenį. Nuvalykite sausa šluoste.

Venkite naudoti abrazyvias valymo priemones arba tirpiklius, kurie pažeidžia paviršius.

Pažeidimams, kurie atsiranda dėl netinkamo vartotojo naudojimo, mūsų garantiniai įsipareigojimai netaikomi.



PL Czyszczenie

Powierzchnia produktu jest łatwa do utrzymania w czystości. Gładka powierzchnia zapobiega osadzaniu się dużej ilości brudu i kurzu. Czyścić regularnie za pomocą miękkiej szmatki, mydła i wody. Wycierać suchą szmatką.

Unikać korzystania ze środków szorujących lub rozpuszczalników niszczących powierzchnię.

Szkody powstałe na skutek nieprawidłowego czyszczenia przez użytkownika nie są naprawiane na podstawie gwarancji udzielonej przez naszą firmę.

HU Kezelési útmutató

A felület tisztítása és ápolása egyszerű. A sima felületen alig marad meg a szennyeződés. A rendszeres ápoláshoz puha törölkendőt, szappanoldatot és vizet használjon. Végül törölje meg száraz törölkendővel.

Kerülje a súrolóanyagok vagy oldószerek használatát, mert ezek kárt tesznek a felületben.

A felhasználói általi szakszerűtlen bánásmódból eredő károokra a garancia nem vonatkozik.

RU Инструкция по уходу

Поверхность легко чистится. За счет гладкости грязь к ней не прилипает. Для регулярного ухода используйте мягкую ткань, мыльный раствор и воду. После очистки вытирайте поверхность сухой тканью.

Не используйте губки с абразивной поверхностью и растворители, которые повреждают поверхность.

Повреждения, возникшие вследствие неправильного обращения, не покрываются гарантией.

BG Ръководство за поддържане в работно състояние

Поверхността се почиства и поддържа лесно в работно състояние. Гладката повърхност почти не поема замърсяване. За редовното поддържане в работно състояние да се използват мека кърпа, сапунена луга и вода. Да се подсушава със суха кърпа.

Избягвайте употребата на средства за търкане или разтворители, които увреждат повърхността.

Вреди, причинени вследствие на неправилна обработка от страна на потребителя, не се покриват от гаранционната ни услуга.

LAUFEN

LAUFEN Schweiz AG
Wahlenstrasse 46
CH-4242 Laufen, Switzerland
www.laufen.com